



# **Thermecro Solar Pool Interface Valve Installation & Operating Manual**

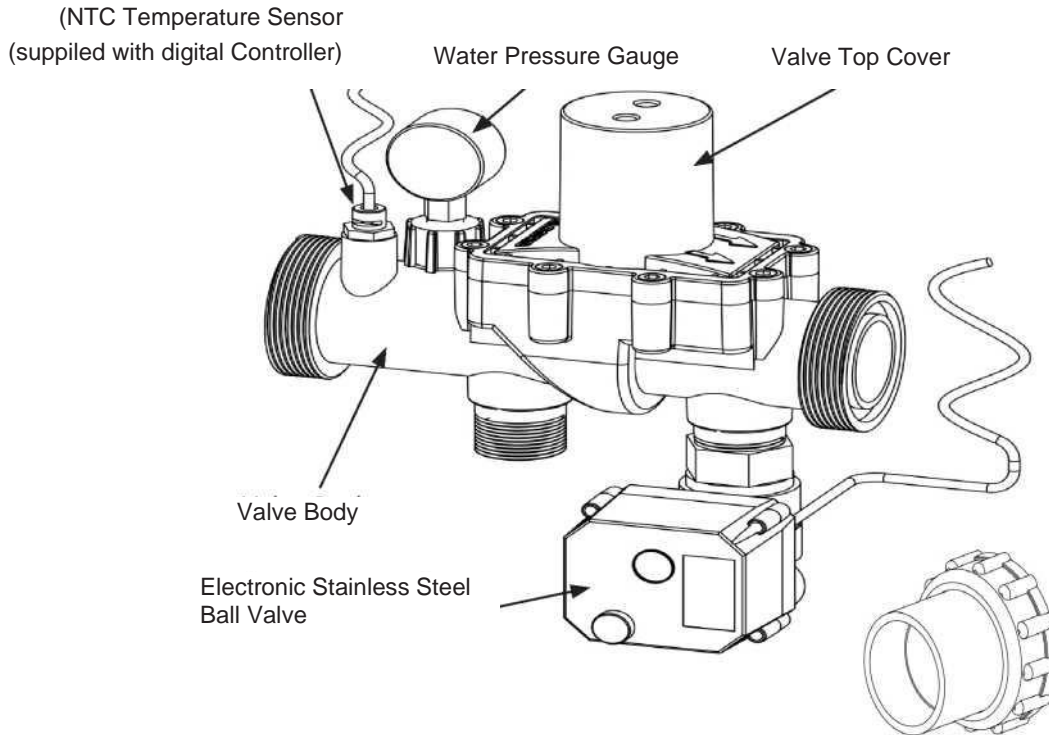


English

## OVERVIEW

The Thermecro Pool Interface Valve is designed for use with the Thermecro Digital Controller and Plumbing Kit to facilitate the harvesting of heat from your Thermecro Solar Array in the most efficient way possible, diverting flow when required from your existing swimming pool filtration pump circuit without the need for an additional pump\*. Please carefully read these instructions and retain for future use.

\* An additional auxiliary pump may be required if the Solar Array is installed more than 35 metres from the pool interface, or a height greater than 3 metres above the pool interface.



The Pool Interface Valve has an electronic stainless steel ball

valve and a spring loaded paddle to maintain an optimum flow volume to your Thermecro Solar Array.

To achieve the required pressure the pool filtration pump must be capable of delivering:

- Minimum of 7,000 litres per hour (7m<sup>3</sup>/h) / 1,400 UK gallons per hour
- Maximum of 18,000 litres per hour (18m<sup>3</sup>/h) / 3,960 UK gallons per hour

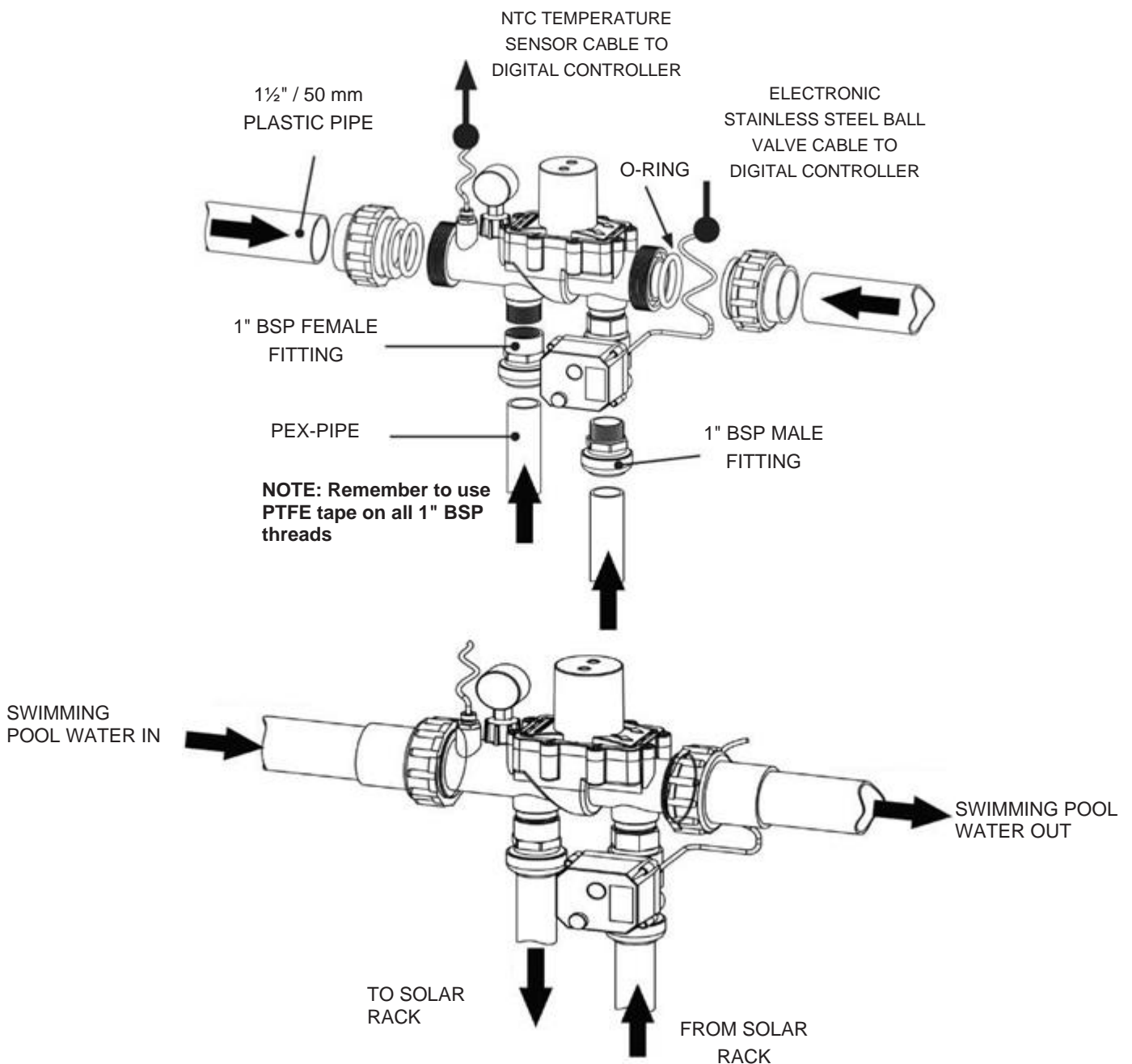
A higher flow volume will require the installation of a by-pass to reduce the flow below 18m<sup>3</sup>/hour.

The Pool Interface Valve is connected to the Thermecro Digital Controller and the ball valve opens when the temperature of the Solar Array reaches a value that you have programmed into the Thermecro Digital Controller (explained in the Digital Controller manual).

## Connection Details

Connect your Thermecro Pool Interface Valve into the swimming pool water circuit as follows :

- Attach the union fittings and rubber 'O' rings and screw until tight.
- Connect the NTC temperature sensor to the digital controller.
- Connect the electronic stainless steel ball valve to the digital controller.
- Connect the swimming pool pipes to the unions using a suitable ABS cement (1½" or 50-mm plastic pipe) Do NOT use PVC cement.
- Connect the 1" B.S.P. fittings into the electronic stainless steel ball valve and pool interface valve body (use PTFE tape on the threads)
- Attach the semi flexible PEX pipe to the 1" B.S.P. fittings by pushing the pipe end into the fitting (ensure pipe ends are cut square and in good condition i.e. free from swarf) Fastgør det semi-fleksible PEX-rør til 1" BSP-beslaget ved at skubbe rørenden ind i beslaget (sørg for, at rørenderne er skåret lige af og er i god stand, dvs. Fri for spaner).





**Electro Engineering Ltd  
Repairs Department  
Unit 11 Gunnels Wood Park  
Gunnels Wood Road  
Stevenage  
Hertfordshire SG1 2BH  
United Kingdom**

---

**Customer Information: (ATTACH TO HEATER)**

**Company Name:** .....

**Contact Name:** .....

**Daytime Telephone Number:** .....

**Email Address:** .....

.....

**Return Address:** .....

.....

**Post/Zip Code:** .....

**Country:** .....

**Suspect Fault / Description of problem:**



Unit 11, Gunnels Wood Park, Stevenage, Herts SG1 2BH  
Sales@elecro.co.uk www.elecro.co.uk\_ +44 (0) 1438 749474

© Copyright MANE216-EN-Solar Manual Interface V1-01.01.2020-Elecro