

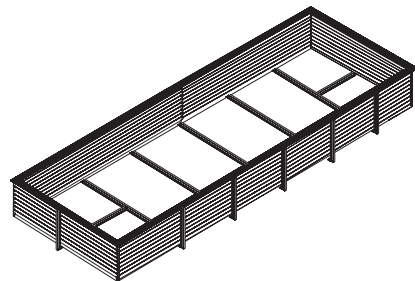


Montage handleiding

Notice de montage

Manual

QUARTOO
350 x 980



www.gardipool.com



Manual

CONTENT

- 1. Introduction**
- 2. Assembly**
 - 2.1 Earth works
 - 2.2 Wooden structure
 - 2.2.1 General
 - 2.2.2 Assembly
 - 2.3 Interior finish
 - 2.4 Technical installation
 - 2.4.1 Parts
 - 2.4.2 Monobloc
 - 2.4.3 Connections
 - 2.4.4 Functioning
 - 2.4.5 Malfunctions
 - 2.5 Finishing touches
- 3. Options**
 - 3.1 Summer tarpaulin
 - 3.2 Winter tarpaulin
 - 3.3 Technical housing
 - 3.4 Electrical box
 - 3.5 Underwater light halogen
 - 3.6 Underwater light Led
 - 3.7 Remote control for Led
 - 3.8 Felt
 - 3.9 Slide lock cover roller
 - 3.10 Internal stairs
 - 3.11 Stainless steel finish for coping
- 4. Safety instructions**
 - 4.1 General
 - 4.2 Technical installation
 - 4.3 Electricity
- 5. Maintenance**
 - 5.1 Wooden structure
 - 5.2 Water
 - 5.3 Technical installation
 - 5.4 Hibernation
- 6. Guarantee**
 - 6.1 Wooden structure
 - 6.2 Liner
 - 6.3 Filtre / pompe
 - 6.4 Winter or summer cover
 - 6.5 Accessories
 - 6.6 In general

1. Introduction

Congratulations on purchasing your Gardipool swimming pool. Your pool is manufactured from quality North-European pressure impregnated pinewood. This treatment offers protection against rotting and keeps the wood mould-free. The top border is either in North-European pine or in exotic hardwood, which is by nature very resistant.

Enclosed, you will find the instructions for the do-it-yourself assembly of your Gardipool.

It is advisable that you read the complete instructions before you start with the assembly of the pool.

Always follow all safety regulations. Should you encounter any problems during the construction, please contact your Gardipool sales representative, who will assist you with help and advice.

2. Assembly

2.1 Earth works

The pool should preferably be positioned in a sunny place, away from any trees whose leaves could fall into the pool. It is extremely important that your pool be assembled on a stable foundation.

You need to construct a flat armed uncracked concrete floor with integrated metal profiles and a metal mesh as specified on the drawings herewith,

1) A minimum 18 cm thick concrete floor C25/30 of which min. 6 cm has to be installed above the metal profiles.

The bottom side of the concrete floor has to be the same as the metal profile's bottom side.

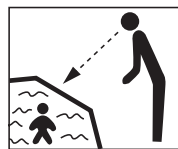
2) The mesh 150x150x6x6 has to be placed on top and diagonally on the horizontal metal profiles.

Apply a layer of plastic foil underneath the concrete slab to obtain an optimal drying.

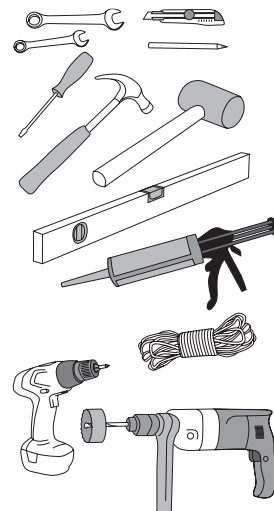
In (half) sunken pools, you must cover the underground wooden structure with a protective felt layer to ensure that the structure never touches the ground directly. This forms the division between the structure and the stabilized sand with which you filled the gap after the assembly of the pool, to ensure adequate drainage of the ground water and rainwater. You must also ensure that the ground and rain water around the pool is discharged effectively by means of an adapted drainage system.

Make sure that the ground or water never touches the wooden structure directly. Provide an adapted felt layer around the pool as protection.

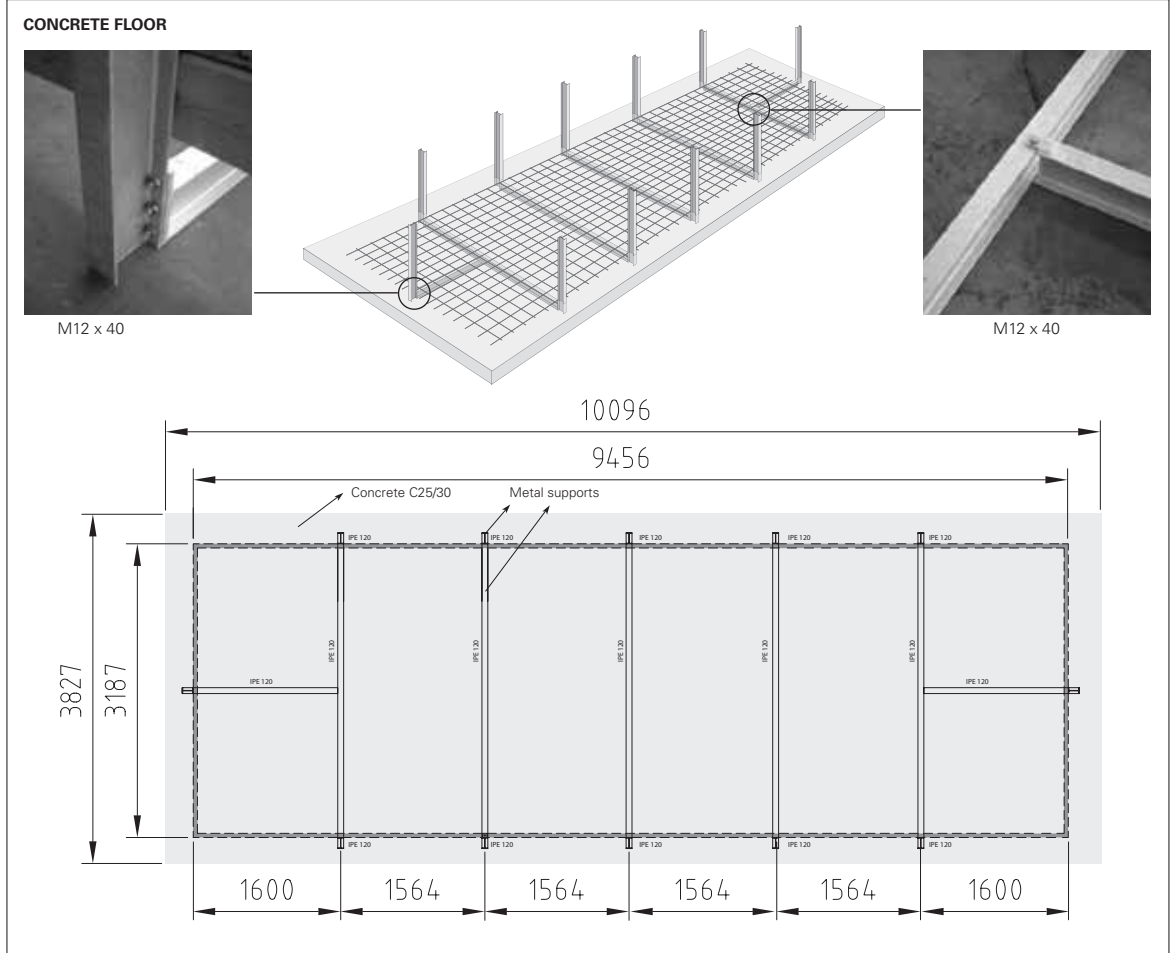
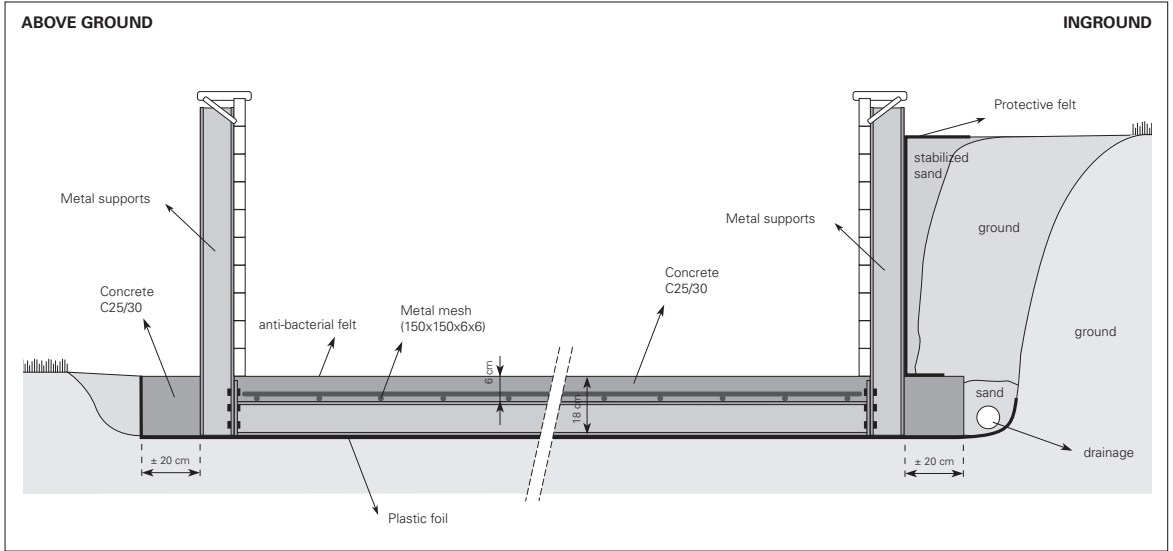
The finishing around the pool can be chosen according to your personal taste: wooden terrace, planks, paving stones, tiles, or lawn (only a top layer of 10 cm (4 inches)).



Without supervision, your child is in danger.



QUARTOO 350 x 980



ENGLISH

QUARTOO 350 x 980

2.2 Wooden structure

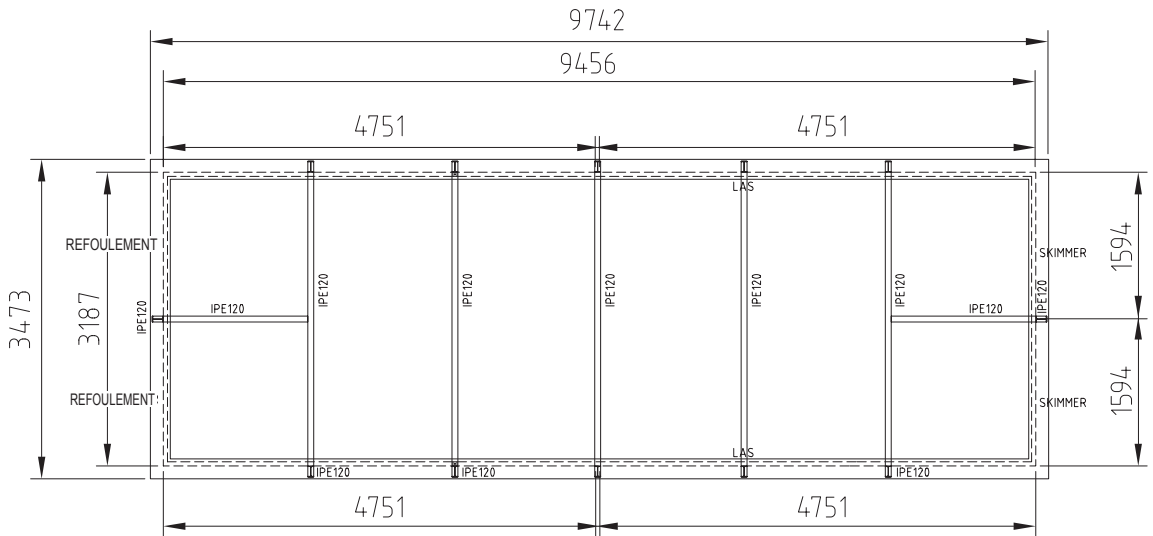
2.2.1 General

The wooden structure of the pool consists of swallow's tail planks, which may or may not have received additional treatment. The planks should not all be planed again. A wooden cover plank (border) is placed on top of these planks. A lateral support plank is provided around the wooden structure in order to support these wooden borders.

It is necessary to use the correct planks in the correct order.

The swimming pool planks are provided with tongue and/or grooves. This ensures a perfect fit between the different layers.

The ends of the planks are treated in such a way that they form a swallow's tail joint with each other. The joints should be tamped together using a piece of wood or a rubber hammer (to protect the tongue on the plank).



QUARTOO 350 x 980

1

Once the foundation has dried completely, the anti-bacterial felt is carefully spread across the surface. Avoid unevenness in the felt.

X1

Y1

X2

Y2

Z1

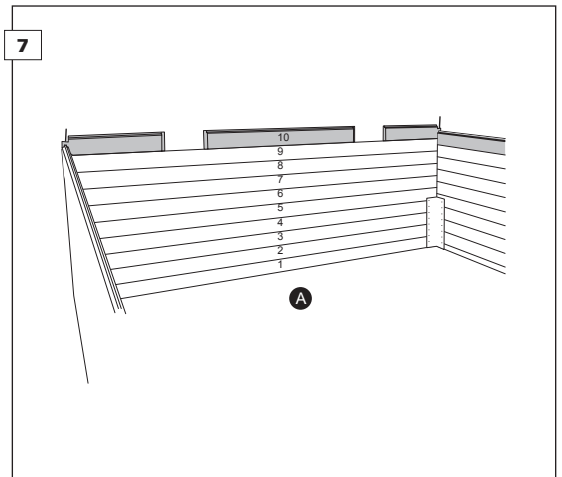
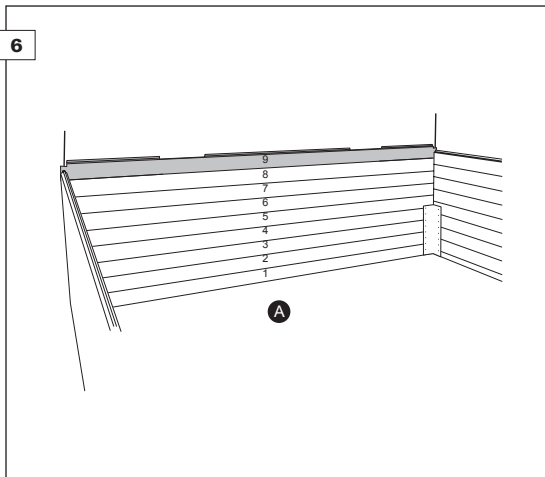
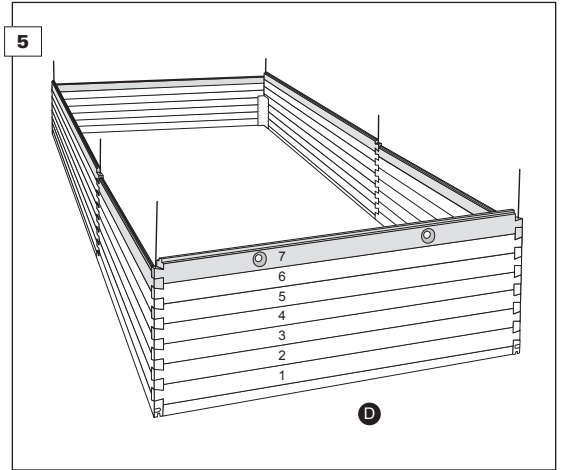
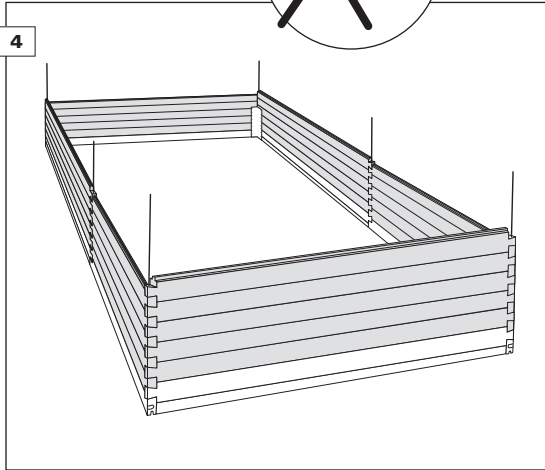
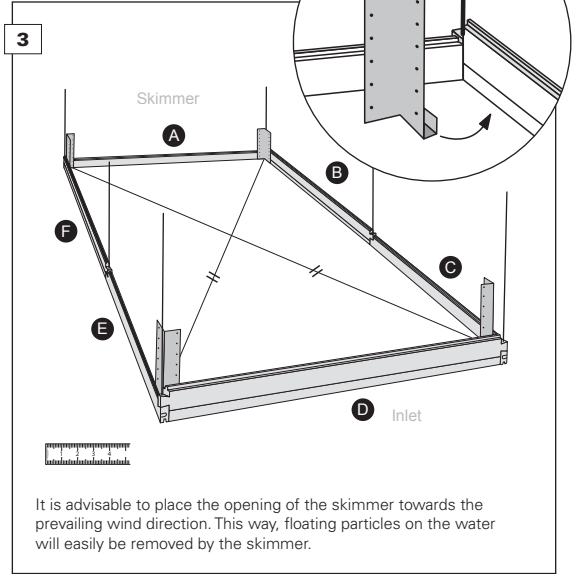
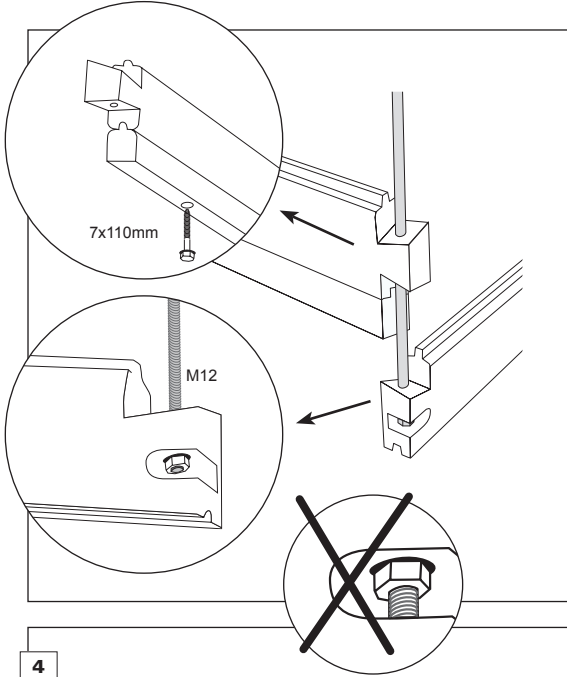
Z2

A : Length 3187 mm
D : Length 3187 mm

B : Length 4751 mm
F : Length 4751 mm

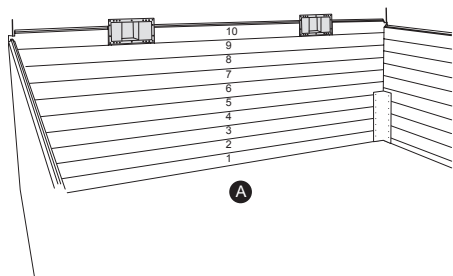
C = E : Length 4751 mm

QUARTOO 350 x 980



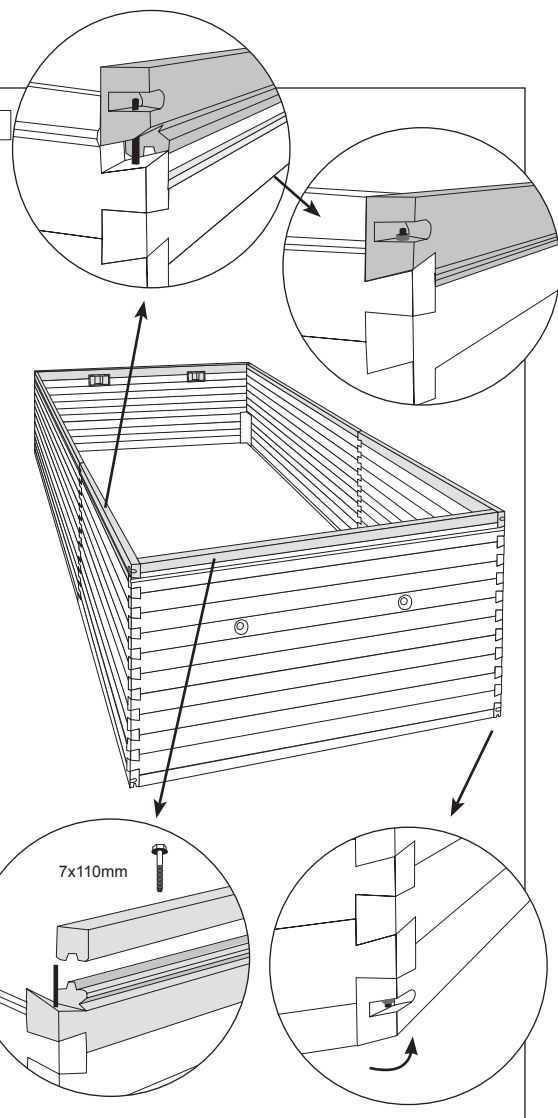
QUARTOO 350 x 980

8

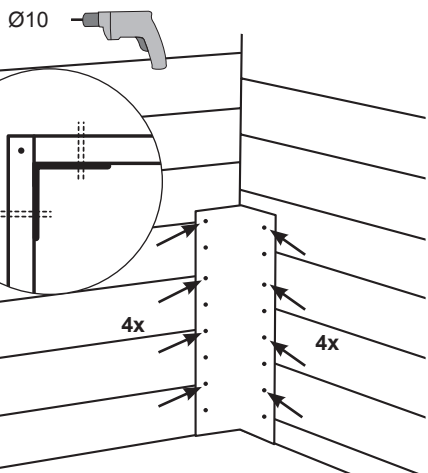


Before placing the last layer, the skimmer must be fitted between the planks.
The skimmer is fixed to the planks in the corners of the skimmer (no pre-made drill holes), with four 3,5x20mm stainless steel screws.

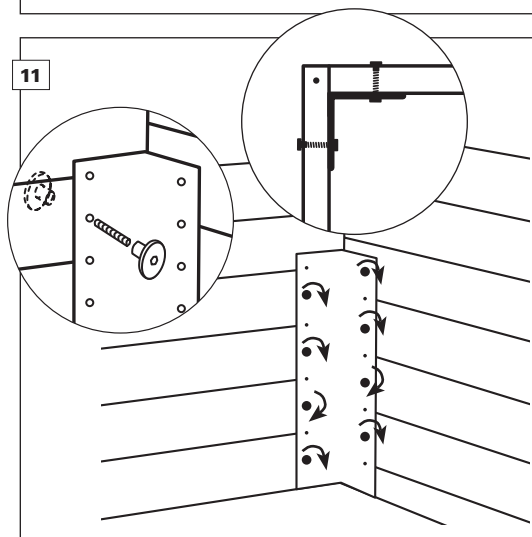
9



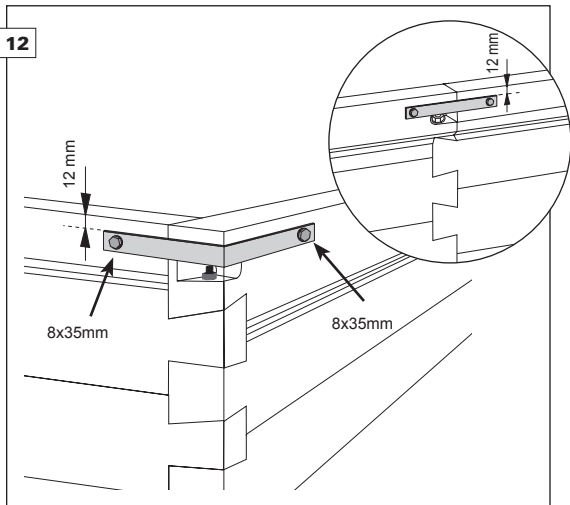
10



11



12



QUARTOO 350 x 980

13

The borders are supported by L-brackets. Distribute these equally around the circumference of the pool. Screw the L-brackets into place 12mm from the top of the wooden structure (stainless steel screws 4x30mm).

14

4x25mm EXO

15

4x25mm EXO

TIP: rough-bore the hardwood coverplanks.
REMARK: clean the hardwood coverplanks before installation.

16

1.8x30mm

6x40mm

6x40mm

1.8x30mm

2x1.8x30mm

2x4x16mm

4x1.8x30mm

4x1.8x30mm

2x1.8x30mm

The profile is bolted to the pool via the 6 holes provided (6x40mm). Afterwards, the vertical profiles are covered with wood.

17

4.5x50mm EXO

5x50mm

5x50mm

4.5x50mm EXO

REMARK: Do not yet place the supporting plank there, where the stainless steel internal steps will come (see further on: installation of the stainless steel steps).

2.3 Interior finish

18



Apply silicone to both the return opening seals, and glue them to the inside of the pool. Apply silicone to one of the skimmers seals and glue one seal of the inside of the skimmer.

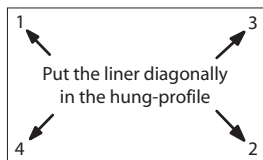
19



In order to attach the lining, the hung-profile is screwed to the inside of the pool at 20cm intervals. (stainless steel screws 4x30mm) Ensure walls are dust-free to avoid irregularities in the liner. If you prefer a soft side surface, you must screw the fleece in place together with the hung profile or glue onto the walls. If you want to include an underwater light, you must first drill the hole (25 mm dia.) for the connector to guide the cable out of the pool.

Determine the position, preferably 70 cm (28 in) below the border edge, and in the middle of a plank.

20



The position of the liner needs to be 100% correct and the liner should have min. 18°C so that there is sufficient elasticity. An opening must be cut for the skimmer and the water return device.

TIP: Store the liner some days in advance at room temperature.

You can tape the corners of the pool in order to prevent folds in the liner. Unfold the liner in such a way that the corners of the liner correspond with the corners of the pool. Slide the edge of the liner into the Hung-profiles, ensuring that the corners of the liner match up well below. The pool can now be filled with a few inches of tap water.

On bare feet and using a plastic squeegee, remove the folds in the liner and press the liner well into the corners of the pool. Before making the incision into the liner for the skimmer hole, fill the pool to a few inches below the position of the water return opening. Please follow the illustrations included in the skimmer and water return's packaging.

During the filling of the swimming pool the wood structure on the outside should be filled in gradually.

21



Push the inner piece of the return hole (2x) against the liner to be able to see the shape on the inside of the pool. This way you will know exactly where to cut the liner in order to free the return hole.

22



Glue the rubber seals to the lining, and push the water return through the opening (2x). Screw the return back on the outside until secure.

23



You must now assemble and connect the coupling with a tap via a hosepipe (see the technical section: 2.4.3 Connection), to be able to continue filling the pool.

2.4 Technical installation

2.4.1 Parts

Follow the instructions in the enclosed filter installation manual.

The monobloc filter is the appliance that takes care of the water treatment. Filter, pump and 6-way valve are all grouped in one appliance.

The most important parts of the filter unit are: filter, pump, 6-way valve, lid, power supply cable and connecting system. The pump must never be placed higher than 4m above the filter inlet and should be placed in a dry space.

The pump must be serviced annually to ensure optimal functioning.

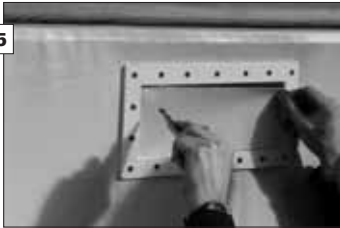


24



Draw the outline of the skimmer (2x) on the lining.

25



Fix the second skimmer seal ring on the liner. See to it that the screw holes in the seal ring match with these from the skimmer. Now screw the finishing cap on it (you can find the corresponding screws in the skimmer box). Now cut out the part of the liner from the skimmermouth. Then click the covering plate on it. You must now assemble and connect the coupling with a tap via a hosepipe (see the technical section: 2.4.3 Connection), to be able to continue filling the pool.

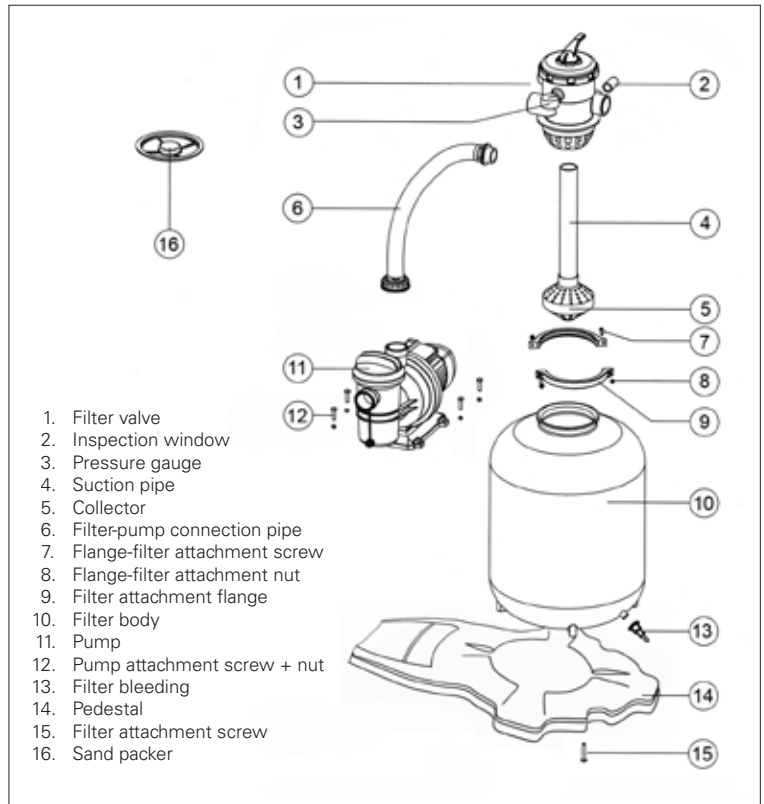
26



Insert the basket into the skimmer (2x), and cover the skimmer with its lid. The pool is now complete, except for the technical part of the filter installation.

The pump capacity

Type	Volume of water	Flow rate	KW	Ø sandfiltre	Option elektr. box
QUARTOO 300x500 / H133	± 15 m ³	8 m ³ /h	0,37	450 mm	CODE 34002
QUARTOO 350x660 / H133	± 23 m ³	12 m ³ /h	0,55	550 mm	CODE 34003
QUARTOO 390x820 / H146	± 35 m ³	12 m ³ /h	0,55	550 mm	CODE 34003
QUARTOO 350x980 / H146	± 38 m ³	12 m ³ /h	0,55	550 mm	CODE 34003



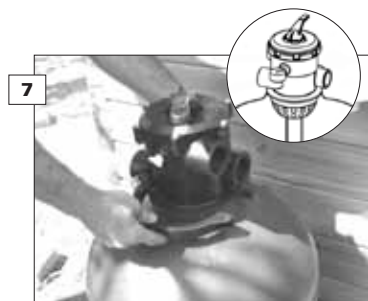
2.4.2 Monobloc



1 Place the installation in the final position; bear in mind that the 6-way valve must remain accessible.



2 Make sure that the plastic protection (funnel) is placed on top of the filter to prevent sand/gravel from falling into the mouthpiece of the branch pipe.



3 The 6-way valve is now placed on the filter and the clamp is fixed around the filter. This is how the valve is connected to the filter.



4 Attach the pump to the pedestal with the enclosed bolts (+nuts and washers).



5 Fill the filter first with gravel (3-5mm) and then with sand (0.4-0.8mm). The sand has an unlimited lifetime and only need to be topped up in case sand is lost. Mark the level of sand/gravel to be able to refill the filter to the correct level at a later time.



6 Now apply Teflon tape to the outer thread of the manometer.



7 Place the filter on the pedestal and fill it with a 1/3rd water.



8 After filling the filter, remove the residue of sand at the top of the filter and remove the funnel.



9 Unscrew the little valve at the side of the valve to fit the manometer.

2.4.3 Connections



10

The pump and filter are interlinked by a semi-flexible tube.

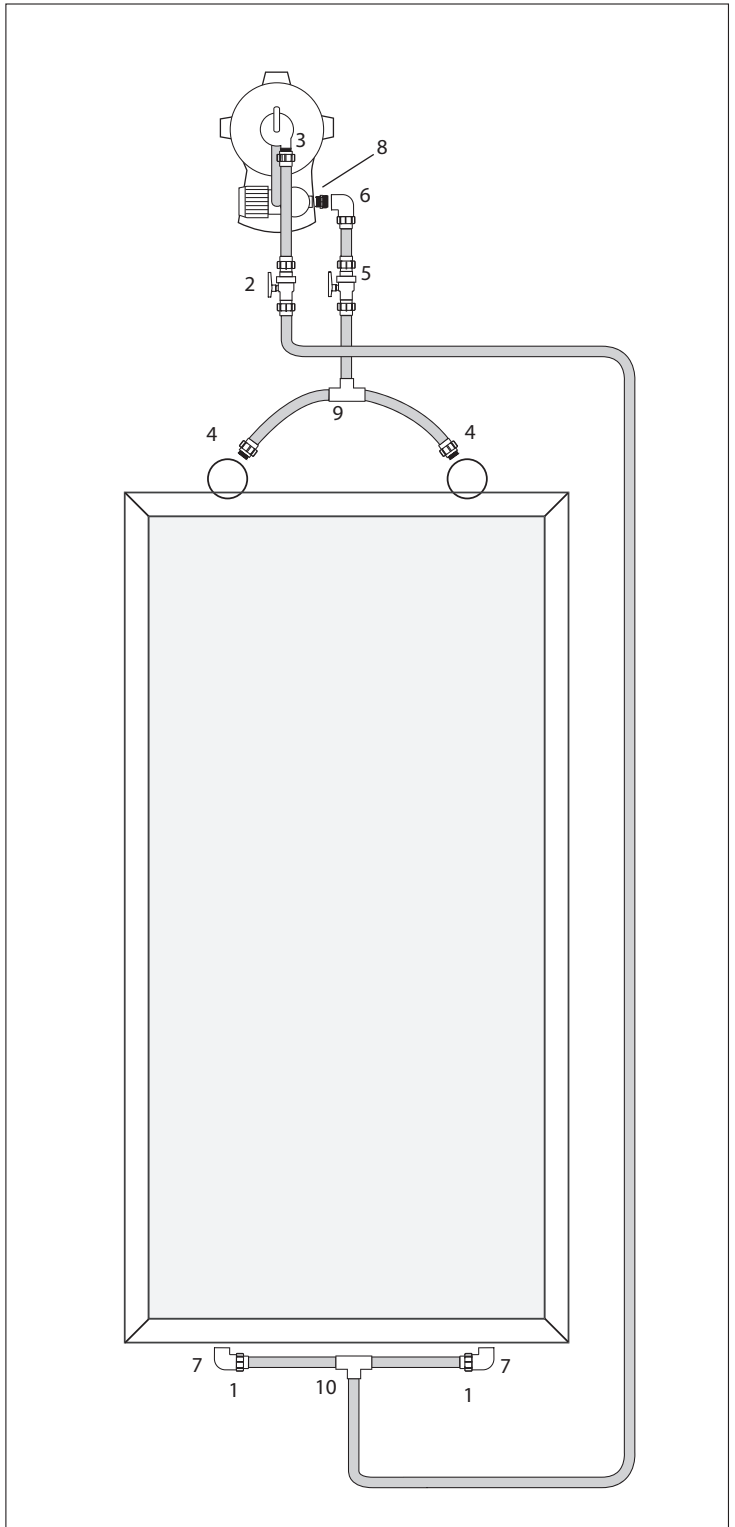


11

Screw the connector pieces into the filter and the pump. Slide the fittings and the inserts over both ends of the hose. Connect the fittings to the connector pieces, and then tighten the fittings. (see the technical section: 2.4.3 Connections)

IMPORTANT

To connect the water return device to the pump, you need to put an **additional intermediate connector (8)** at the entrance of the pump. This piece + joint is packed inside the pre-filter of the pump.



Before you join the connectors, you must screw the PVC elbow (7) onto the return opening. Do this as follows. Screw the PVC elbow carefully onto the return piece with some Teflon on the thread and ensure that this is done in one fluid movement, without stopping or unscrewing and with the outlet pointing downwards at a right angle. You must then tighten the ring with the proper spanner, while holding the return piece in place on the inside of the pool. This is to ensure that the return piece remain in position.

In general, the semi-flexible connector tubes need to be shortened straight and square. Prepare the connectors 1, 3, 4 and 6 as follows.

Couplings

Unscrew the nut completely from the fitting. Slide the nut with the insert over the flexible tube. Then slide the white clamp over the tube until approximately 2 cm of tube sticks out below the white clamp.

Now push the tube into the fitting up to the edge and press the white clamp down onto the fitting. Place the seal into the fitting.

Tighten the nut of the fitting.

This way it will be perfectly waterproof. If you have a coupling without a rubber packing, you are advised to apply Teflon to the thread or nipple in order to maintain it's waterproof capacity.

Taps

Prepare the connectors to the tap in the same way as the couplings, but in both directions from the tap.

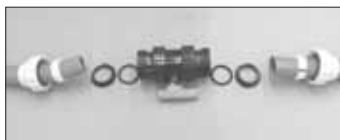
Connecting the filter unit to the pool.

Follow the drawing. Connect the 2 skimmers with the semi-flexible connection tube to the T-joint (9) (glue). Glue to the remaining end of the T-joint a semi-flexible connection tube, connect to the pump and place a ball-valve in-between (4, 5, 6, 8, 9). 4, 5 and 9 should have been coupled after the placement of the skimmers, in order to continue filling the pool.

Then, connect the 2 water return devices to the T-joint (10) (glue). Glue to the remaining end of the T-joint a semi-flexible connection tube, connect to the filter and fit a ball valve to this connection too (1, 2, 3, 10). 1, 2 and 10 should have been coupled already after fitting the return devices, in order to continue filling the pool.

After installation, the filter needs to be backwashed automatically; in this process the filter sand is rinsed to prevent impurities from entering the pool.

Afterwards, you place the valve in the filter position and let the pump run; the needle of the manometer indicates the nominal pressure to which the filter is exposed. Write down this pressure (normally between 0.6 and 1.1 bar).



2.4.4 Functioning

NEVER ALTER THE POSITION OF THE VALVE WHILE THE MOTOR IS RUNNING
FIRST REMOVE THE PLUG

NEVER DISMANTLE THE VALVE WHILE THE FILTER IS STILL UNDER PRESSURE.
The 6-way valve controls the 6 functions of the filter: backwash, re-circulation, rinse, filtration, waste, closed.

To change the position of the valve, you need to unplug the power supply, press the upper lever of the valve down forcefully (to conquer the resistance of the internal spring), then turn the lever towards the chosen function and carefully release it.

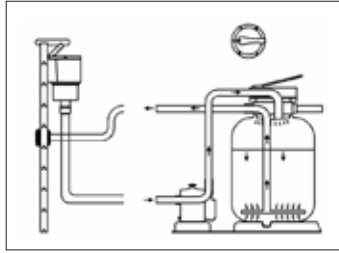
The function of the filter is based on the retaining properties of the sand in the filter. The water in the pool is forced through the filter pump and the sand, causing the impurities in the water to remain in the sand – which functions as a filter element.

REMOVING AIR FROM THE FILTER

When the air is not properly removed from the filter, bad water circulation will follow, consequently the filter's purification effect via the sand will be diminished and the motor could be damaged.

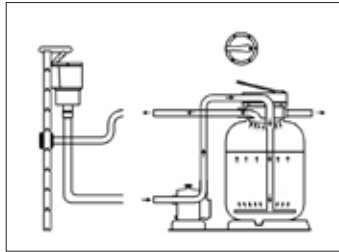
The filter needs to be de-aired at the first use of a new appliance or with the reuse of an appliance that hasn't been functioning for a while, after using a bottom cleaner, with absorption of air through the skimmer due to a low water level in the pool, due to the incorrect use of the appliance (suction cap or skimmer cap). If you notice that too many air bubbles are released by the water return device, the filter needs to be de-aired as well. De-airing takes place by switching the power supply off and placing the valve into the backwash position. Let the water flow out through the waste until there are no more air bubbles visible in the peak hole on the side.

Shut off the filter again and shift the valve into the preferred position.



Function 1: FILTER

Place the valve in the filter position. The water comes out of the pump and is filtered by streaming downwards through the sand and then returning the pool. Do not filter for more than 4 hours at a time. Leave the engine to cool for at least two hours. The number of filtering hours is calculated by the total volume of pool water of the (volume of water m³) divided by the pump capacity (m³/u).

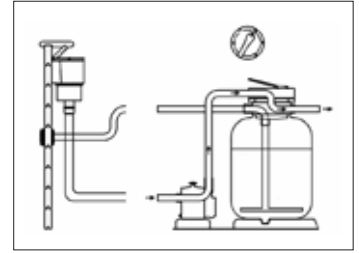


Function 2: BACKWASH

Place the valve in the backwash position. By backwashing, the sand in the filter is cleaned; for this, the direction of the water circulation needs to be reversed. The backwash needs to be done weekly (when the manometer indicates 0,5 to 0,8 bar higher than the nominal pressure – pressure between 1,1 and 1,7 bar)

Attach a tube to the waste of the valve and place the other end of the hose in the sewer. Leave the filter running for about 2 min. until the water runs clear; you can verify this through the peak hole at the side of the valve. Switch the filter off and leave it standing for 2 min for the sand to settle down in the filter. Put the valve into the recycle position to prevent impurities remaining in the valve, from streaming back into the pool.

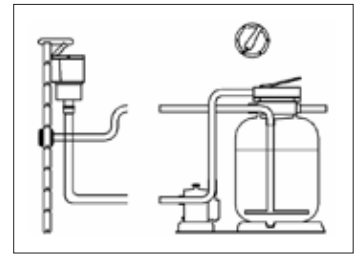
Then move the valve back into the preferred position (filtering or close) and remove the hose from the waste.



Function 3: WASTE

The pool can be emptied almost completely via the filter. Move the valve into the waste position, attach a hose to the waste and place the other end of the hose in the sewer.

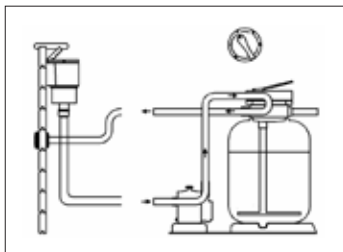
Connect the vacuum cleaner tube to the skimmer (remove the inner basket from the skimmer) and let the water run out. The pool won't be emptied completely; switch the pump off once only a couple of inches of water remain in the pool. Remove the rest of the water manually.



Function 4: CLOSED

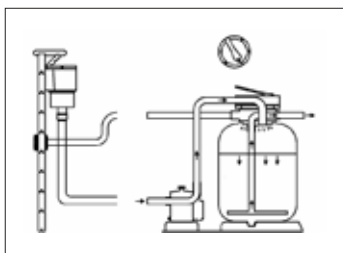
The valve is placed in the closed position to prevent the water from circulating via the hoses and the filter. Make sure that the pump never functions in this position.

2.5 Finishing touches



Function 5: RECIRCULATION

With the recirculation position, the water is returned to the pool via the skimmer, pump and valve. Choose this position for instance when you dissolve chlorine tablets in the skimmer and do not want the chlorinated water to circulate through the filter sand.



Function 6: RINSING

The rinsing happens at a pressure of 0.9 bar. The dirty filter sand is rinsed with this procedure. The dirty water enters the valve via the connection. The rinsing cycle takes about 1 to 2 min.



External steps

The assembly of the wooden external steps (pine/exotic hardwood) is done according to the drawing. The steps slide into the cut-aways of the stair and each step is fixed with 2 screws on each side (4x40 / 4,5x50 mm).

A corner piece is fixed to the steps (50x50x25 + screw 4x40 / 4x40 mm).

On the side of the pool where the wooden steps will be placed you need to attach a piece of pinewood (screws 5x80 mm). The steps can now slide over this piece of pinewood. It is therefore a removable system.

For safety's sake, the outside steps should be removed when not in use (see 4. Safety)



2.4.5 Malfunctions

In the enclosed sand filter instructions, a number of problems are mentioned that can occur, along with the suggested remedies. In case you can't solve the problem yourself, please contact the sales representative for your pool.

Stainless steel steps

The stainless steel interior steps are assembled according to the instructions and are attached on top of the border.

Not suitable in salted water !

1) Define the place of the steps holders 80 mm from the inside of the coping.

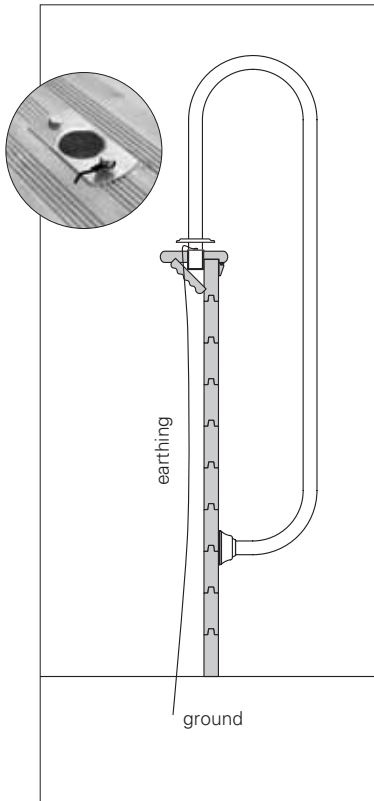
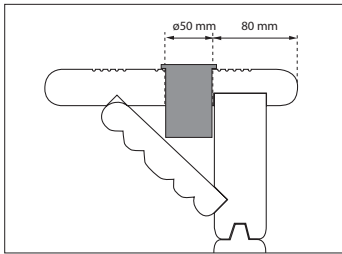
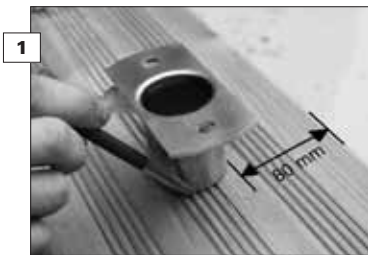
2) Bore out two holes for the holders with a brace diameter 50 mm.

3) Place the two holders and screw them with the screws which were also supplied.

4) Place the rubber pieces at each end of the stainless steel steps, for the protection of the liner.

5) Place the metal covering plates over the holders and install the steps.

6) Place the supporting plank and screw it (see assembly 2.2.2.).



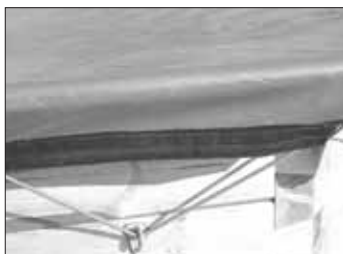
3. Accessories

3.1 Summer tarpaulin



A summer tarpaulin can be placed across the pool. Sunrays can increase the water temperature. The tarpaulin is simply placed on the water; when using the pool the tarpaulin is removed and turned over to dry. It is best to roll the tarpaulin up to prevent tears. The tarpaulin should not be walked upon.

3.2 Winter tarpaulin



During the winter months when the pool isn't in use, a winter tarpaulin can be placed across the pool. Distribute the hooks equally around the outside of the pool. Screw them on the sides of the pool and fix the tarpaulin to the attached hooks with the rapid binders. This tarpaulin should also be rolled when not used, to prevent tears. The winter tarpaulin should not be walked upon.

3.3 Technical housing

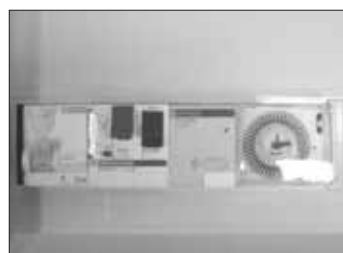


A technical housing can either be built in, or loose standing. The built-in technical housing is attached to the side of the pool where the skimmer and water return device are situated. The filter unit is also placed inside this. (See 4 Safety) Follow the instructions in the enclosed drawing.

Screw one side to the pool, and assemble a few planks to the front to get a perfectly angled structure. Then screw on the other sides. This built-in technical housing is available in three different dimensions.

The loose standing model with 4 sides is built up in a similar way.

3.4 Electrical box



Follow the instructions in the enclosed manual. The electrical box is suitable for the electrical connection of the pump and max. 3 underwater lamps. The box is provided with a highly sensitive differential and a transformer for the underwater lamp. You can program the working of the pump with the built-in timer. The installation should be done by an electrician. The local legislations and applicable regulations must be respected. The waterproof IP65 box may be placed at less than 3.5m from the pool. The power supply to the electrical board must be secured upstream by a high sensitivity differential. (max 30 mA)

3.5 Underwater light halogen



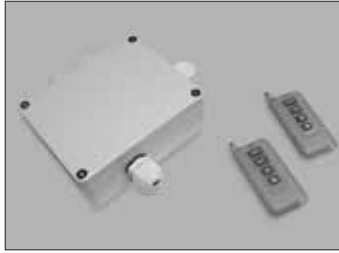
Follow the instructions in the enclosed manual.

Place the underwater lamp preferably 70 cm (28 in) below the border edge and provide an opening for the connecting cable in the middle of a plank. Before fitting the liner, drill a hole (28 mm dia.) in the wooden structure.

After fitting the liner, and when the pool is filled to just below this hole, push the connector piece through and trace the contours in order to cut the liner correctly. Fit the lamp according to the instructions provided, and guide the cable outside via the connector piece. Tighten the connector piece nut on the outside. Connect the cable to the electrical box.

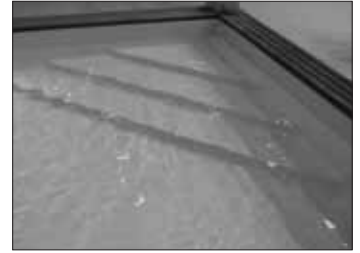
If necessary, you must provide a cable with the required diameter according to the distance to the electrical box (see the table in the manual provided). The underwater lamp must not be switched on unless it is completely submersed under water.

3.7 Remote control for LED



Remote control + receiver for underwater light LED. Follow the instructions in the enclosed manual.

3.10 Internal stairs



Internal stairs for corner 90° for height 133cm and 146cm with adapted liner.

3.8 Felt



Felt is available in 6m width and 1.3m high. The 100% polyester material of 200gr/m2 is suitable for use both on the inside to obtain a soft surface, as well as on the outside of the pool as protection for the wooden structure.

3.11 Stainless steel finish for coping



3.6 Underwater light LED



Underwater light LED 35W / 12V - 16 colours, adjustable with the on/off switch on the electrical box. Follow the instructions in the enclosed manual. Place the underwater lamp preferably 70 cm (28 in) below the border edge.

3.9 Slide lock cover roller



The roller is used to easily remove or install the summer tarpaulin.

4. Safety instructions

TAKE NOTE

TECHNICAL INSTALLATION

Do not activate the appliance if the air was not properly removed. NEVER touch the running appliance with wet hands or a wet body. Always UNPLUG the electric cord in case you need to work on the appliance.

Make sure the floor is dry before you touch the electrical device.

Do not put the filter unit in a place where you might get wet: risk of electrocution.

POSITION OF THE FILTER UNIT

Avoid that the filtration kit with pump is flooded. In a humid environment, it is recommended to put the filtration kit above ground or adapt the installation to avoid deluge. Unless you have a technical housing to place next to the pool, the filter unit must be placed at least 3,5m away from the pool (because of electrical safety) and on the same level as the water level of the pool to prevent air from entering the purification circuit, or the filter.

It is advised to place the filter unit in a place well protected from sun and rain and with an ambient temperature below 35°C.

The technical housing can be placed closer than 3,5 m from the pool, provided that it is locked and only accessible by qualified personnel. The power supply should be cut before opening the technical room. Only then can you access the area. Plugs are not accessible in this case, due to the danger of electrocution.

4.1 General

The borders are not intended to run on nor to dive from. The steps are only intended for use to step in and out of the pool. After use it is advised to remove the steps, this to enhance the security level with children. Be careful when using electrical devices around the pool (risk of electrocution). Remain alert when kids are near or in the swimming pool. When the pool is not in use, it is better to cover the pool.

4.2 Technical installation

The technical housing may be placed at a distance of less than 3,5 m from the pool, provided that it is locked and only accessible to qualified personnel.

Before opening the technical unit, you need to interrupt the power supply. Only after this should you access the technical housing.

4.3 Electricity

The installation needs to comply to the general regulation (Belgium: art.90 swimming pools and France standards NF C15-100).

All electrical devices must comply to the following requirements:

- exclusively for swimming pool use
- isolating casing and provided with mechanical protection
- power supply on a very low safety voltage
- only to be fitted by qualified personnel

Installation should take place by an electrician. The local legislation and applicable requirements must be respected.

5. Maintenance

5.1 Wooden structure

In order to guarantee a long lifetime for your wood, it can be treated with a special stain. (Contact your sales department) If you prefer to maintain the natural effect, you do not need to treat the wood; the change in colour does not reduce the quality.

Because of the natural forces in the wood – as a result of the humidity and variation in temperature - the wood can show some cracks and tears after some time. This is normal: the mechanical resistance is not reduced.

5.2 Water

Besides the correct use of the filter unit, which controls the water treatment, a couple of other important things need to be checked on a regular basis.

The pH-value of the pool water needs to be verified on a regular basis. It is advised to fill the pool with tap water, its pH-value normally corresponds better with the ideal pH-value (between 7,2 and 7,6) than rain water or water from another source.

Once the pH-value is too high, the water needs to be treated with a special product. In order to treat the water for the first time, a starter kit is included. If you live in an area with 'hard' water – high lime content – it is suggested that you fill the pool partially with 'softened' treated water.

During periods of frequent use, the filter unit needs to function for several hours per day on a daily basis. The total amount of water needs to be filtered at least once a day.

The water of your pool need to be treated with special products on a weekly basis in order to keep it clean and pure. (Please contact a specialist pool shop regarding water treatment)

There is a maintenance kit included in your package. The hand net which is attached to the telescopic rod serves to scoop up leaves and impurities from the water. The brush serves to clean the sides of the pool. There is also a system to clean the bottom of the pool: the vacuum cleaner is attached to the brush (+ telescopic stick) and is connected to the skimmer.

5.3 Technical installation

Check the pump once a year to ensure good performance.

Normally no maintenance is required for the filter pump, but the frequent use of the filter in heavily polluted swimming pools may cause the axis of the pump to stall. When this occurs, the following procedure is advised:

Switch off the power supply.

Set the valve in the closed position.

Close both the ball valves. Detach the suction and feeding hoses from the pump. Loosen the screws from the front filter's lid. Remove the basket and all dirt. Replace the basket and close the lid of the front filter. Make sure that it is well centred and tightened. Make sure that there is water in the pump to be able to start it.

Reconnect the hoses to the pump. Set the 6-way valve in the filtration position. Open both ball valves. Switch the motor on and remove any air from the filter.

5.4 Hibernation

If your pool is not covered, and you want to keep the water for the following season, you should keep the following rules in mind:

- after the last use of the pool, the residue on the bottom should be removed and the filter should work for eight hours to obtain perfectly clean water
- add flocculants and additional treatment
- let the water circulate for at least three hours to thoroughly mix the additives
- bring the water level to 20cm below the skimmers
- cover the pool with a winter tarpaulin

BRINGING THE POOL BACK IN USE AGAIN

- two weeks before use, bring the water level back to normal (do not remove the tarpaulin yet). Let the pump run for one day (without filtration) while adding a flocculent and additional treatments
- allow to rest for two weeks
- remove the tarpaulin, vacuum the bottom with the pump on waste. Top the pool up to normal level, in filter for at least 12 hours
- check the pH-value, chlorine level and add the necessary treatment

6. Guarantee

6.1. Wooden structure

- Ten years' guarantee against insect infestations and bacterial attacks on the vertical wooden structure (autoclave treated wood class IV). This guarantee does not take into account natural deformations (cracks and tears that do not at all threaten the mechanical resistance of the wood), or colour changes due to climatic influences. This guarantee is only valid for the autoclave treatment itself.
- One year guarantee on the coping against abnormal natural deformation (torsion) and against excessive splinters. The guarantee does not include any colour change or difference, cracks or splits.
- The pool is in accordance with the standard AFNOR NF P90-302 (french standard for pools in kit). A possible aesthetic deformation does not pose any risk to the stability of the pool, and can be avoided by partially installing the pool under ground and fill in.
- In this last case (pool installed partially under ground), we remind you to check legal provisions with regards to safety of children under 5 years of age (NFP 306/307/308/309)

6.2. Liner

Ten years' guarantee (5 years degressive) under normal usage.

Are not covered by this guarantee :

- Tears, holes, cracks, stains (maintenance products put directly in the water), decoloration and wear due to friction of the fabric on different surfaces.
- Deformations of a liner that has been without water for more than 24 hours (never empty your pool completely)
- Decoloration of the liner due to inappropriate water treatment (excessive concentration of products, inappropriate pH).

6.3. Filtre / pompe

Two years' guarantee on the sealing of the filtration kit.

Are not covered by this guarantee :

- Problems linked to inadequate use of the filter and its elements.
- Problems linked to pressure higher than the maximum usage pressure of 1,2 bar, or linked to the use of a too powerful pump in relation to the elements of the hydraulic circuit and the filter.
- Problems linked to the use of a too weak pump in relation to the volume of water in the pool.
- Deterioration due to « dry use » of the pump.
- Deterioration due to abrasion or corrosion.
- Deterioration due to a wrong connection.
- Materials dismantled or repaired by a third party.
- Breakage of pieces (base of the pump, lid of the prefilter, grooved end ...)

6.4. Winter or summer cover

One year's guarantee on the welds between the different bands of fabric. When the cover is not placed on the water surface, it should be put in shelter from direct sunlight.

Are not covered by this guarantee :

- Pulled-out eyelet for the sandows : this results from an excessive traction on the sandow.
- Decoloration of the fabric due to inappropriate water treatment (excessive concentration of products, inappropriate pH).

6.5. Accessories

One year's guarantee on any error in fabrication or assembly of different accessories of the pool, threatening its good functioning.

Are not covered by this guarantee: Maintenance products and cleaning kit delivered with the pool. They should be received in good shape, in accordance to their expiration date.

6.6. In general

Our guarantee is limited to the delivery of the replacement parts for defective items. In no case whatsoever, it implies a demand of damages or indemnity for incurred damage, or a compensation for costs of energy et consumables. The materials to be returned must be sent on your account. We are not bound to take back new materials that are returned for a reason that does not stem from our responsibility. Please store all wood elements horizontally, in a fresh and ventilated place, away from direct sunlight and bad weather conditions.

The different manuals that are included in the pool kit stipulate that a regular check-up and maintenance guarantee an optional functioning of your pool and its accessories. These conditions must be strictly followed in order for the guarantee to be valid.

Our guarantee does not cover risks of corrosion that might appear in the course of time et damages caused by inappropriate actions at the time of installing the pool or using the accessories (shocks, scrapes, etc., , as well as incidents without any direct relation to normal usage of the pool and its accessories. Costs for installation and dismantling are not taken into account.



Covimex nv - Koolskampstraat 21 - B-8830 Gits
T +32 (0)51 21 13 48 - F +32 (0)51 21 07 64
info@gardipool.be - www.gardipool.com