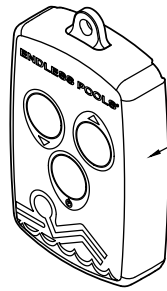


**NOTES:**

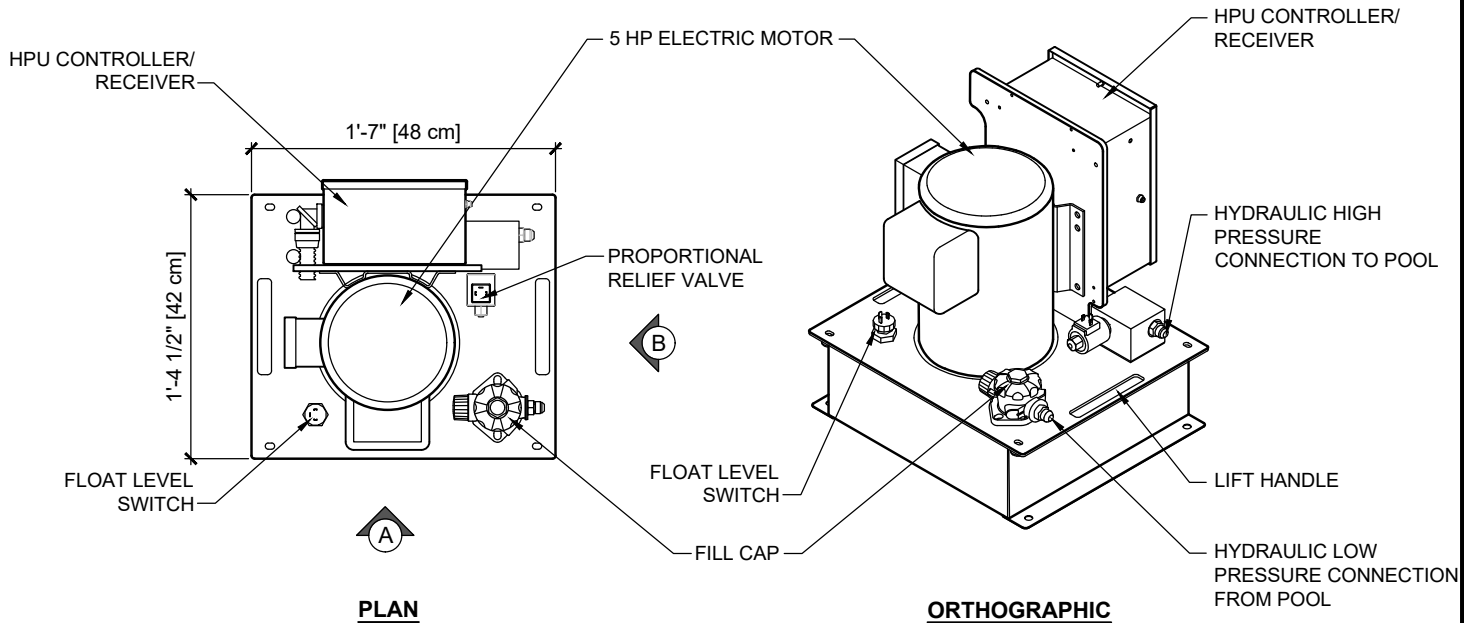
ALL ELECTRICAL COMPONENTS MUST BE LOCATED, INSTALLED & BONDED BY A LICENSED LOCAL ELECTRICIAN IN ACCORDANCE WITH APPLICABLE CODES

IF LOCATING THE POWER UNIT IN AN ENCLOSED SPACE, CLEARANCE FOR VENTILATION & ACCESS MUST BE MAINTAINED TO PREVENT OVERHEATING

ALL CIRCUITS MUST BE GFCI (RCD) PROTECTED

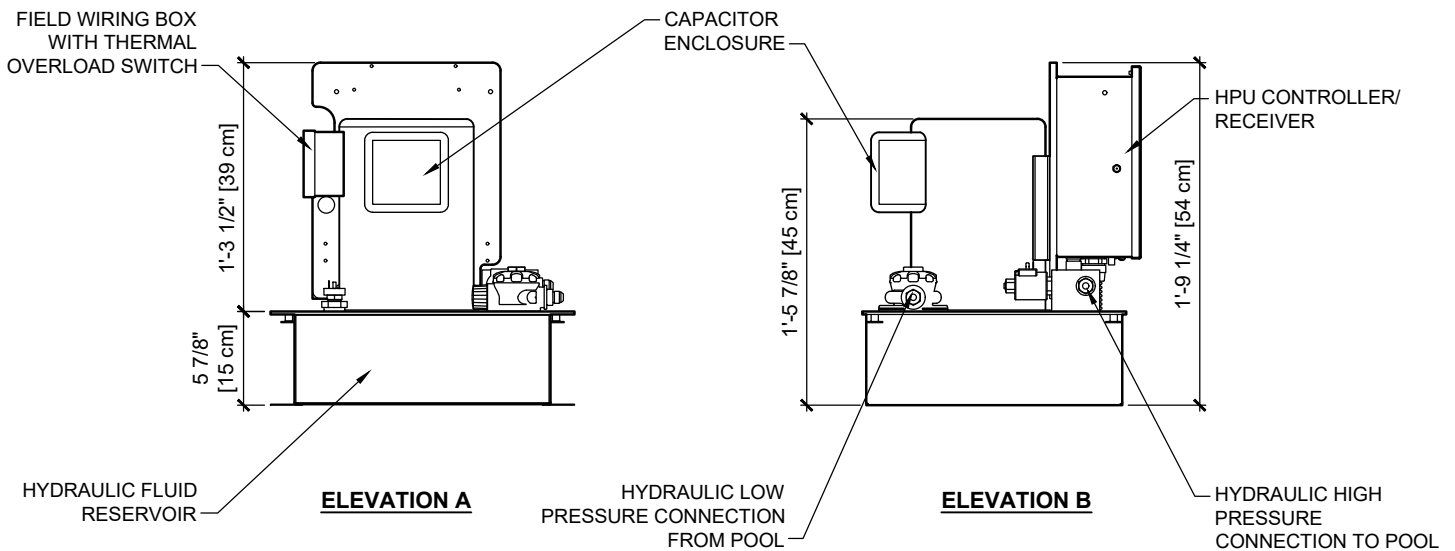


REMOTE CONTROL TRANSMITTER



**PLAN**

**ORTHOGRAPHIC**



**ELEVATION A**

**ELEVATION B**



**5.0 hp HYDRAULIC POWER UNIT**  
 for the ORIGINAL & PERFORMANCE ENDLESS POOLS  
 and THE FASTLANE

POOL EQUIPMENT DETAILS

DETAIL NUMBER:

**EP-7.1.0**

REV: 2019/12/13