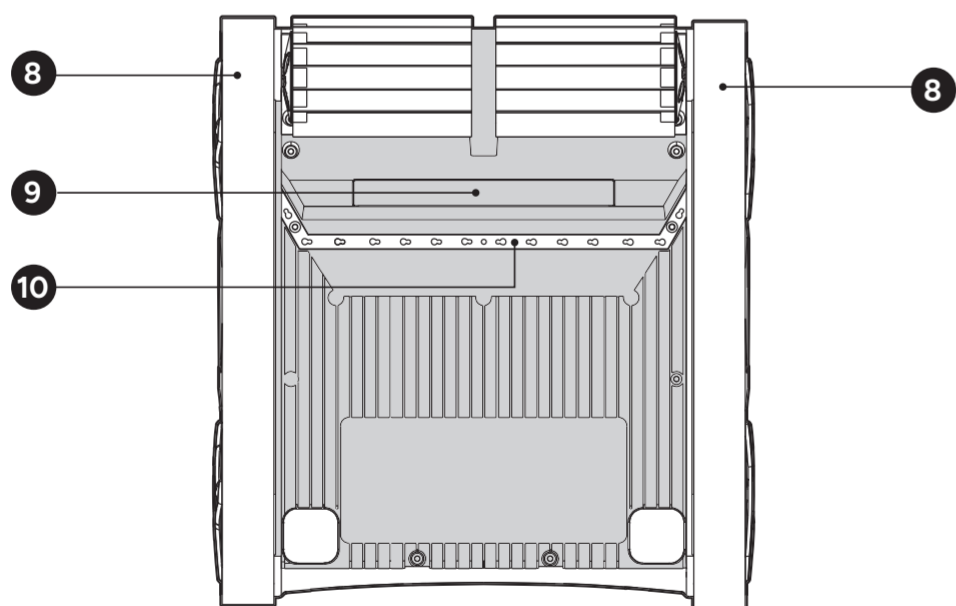
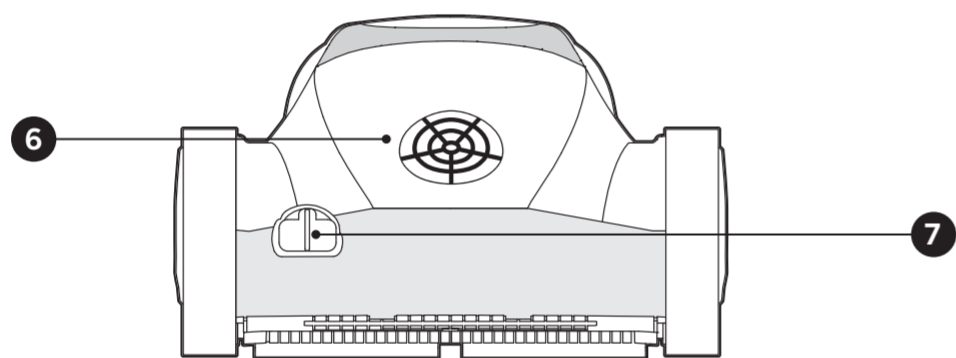
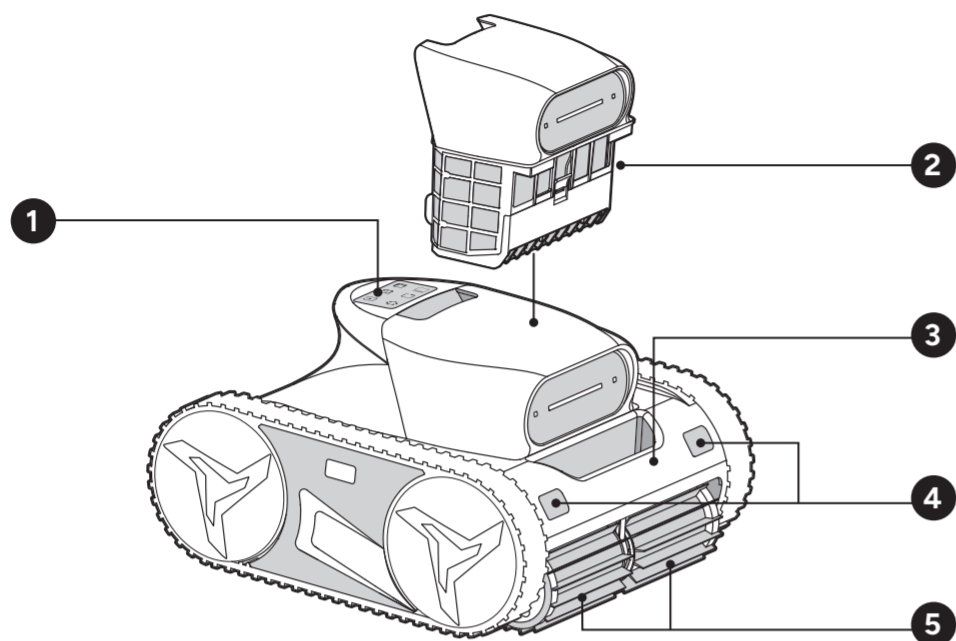
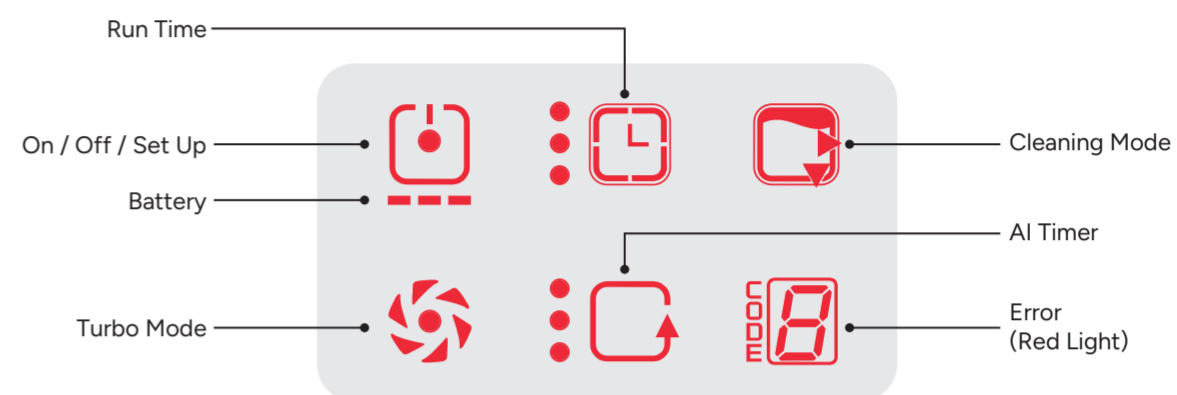


1. Product Overview



- 1 Control Panel
- 2 Filter Basket
- 3 Handle
- 4 Front Infrared Sensor
- 5 Brush
- 6 Water Outlet
- 7 Charging Port
- 8 Caterpillar Track
- 9 Suction Port
- 10 Scraper

2. Control Panel



Control Panel	Meaning	Operation
On / Off / Set Up	Turn On / Set Up / Save Settings	Hold 3 seconds to turn on & set up Tap to save settings & start cleaning
Turbo Mode	Turbo On / Off	LED On = Turbo, LED Off = Standard Cleaning
Cleaning Mode	Setting Cleaning Areas	Bottom LED On = Floor only; Top LED On = Wall & Waterline only; *Both LEDs On = Wall & Waterline first, then floor; *Both LEDs Off = Full coverage
Run Time	1 h / 1.5 h / 2 h / Low Battery	1 / 2 / 3 LEDs or Off = Select Cycle
AI Timer	24 h / 48 h / 72 h / Off	1 / 2 / 3 LEDs or Off = Scheduled Cleaning Interval
*Error	E1-E6 Error Codes	See Troubleshooting
*Battery	20-100% (Charging)	LEDs On / Flashing

*Important Cleaning Modes Explained

Wall & Waterline first, then floor

Recommended for most cleaning needs; Does not clean tanning ledges or other shallow areas.

Full coverage

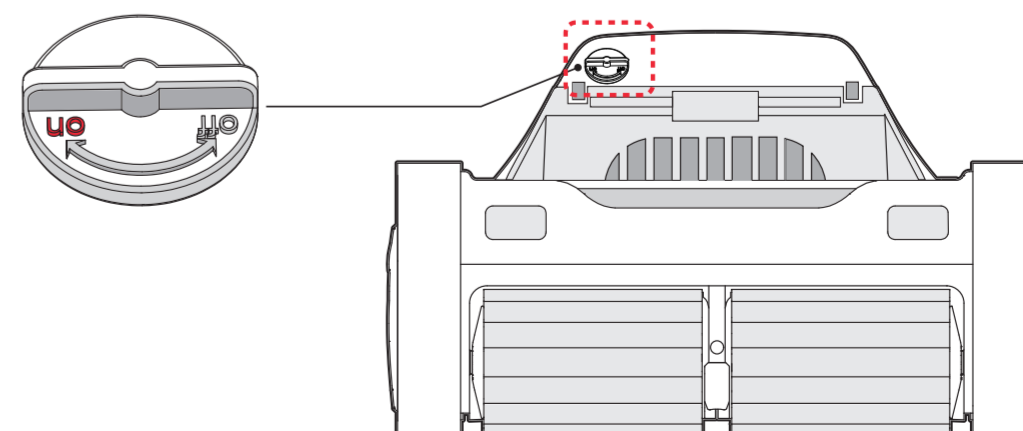
Cleans Floor → Wall → Waterline to cover all areas (Includes tanning ledges); May use more power than Wall & Waterline first, then floor.

3. Turn On & Charge

Turn on

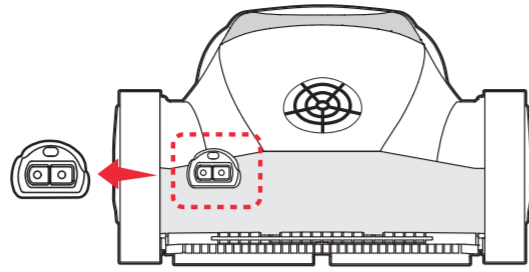
Remove the filter basket by lifting its hand.

See power switch at the front and turn it **ON**.



Charge

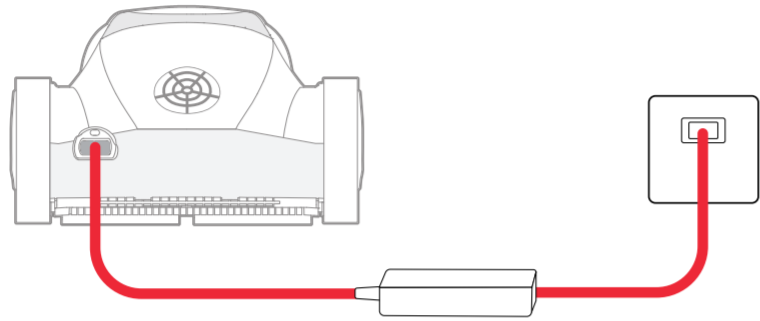
1. Remove charging port cover.



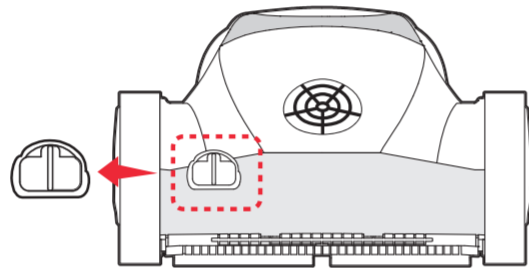
2. Plug in the supplied charger to 100–240 V AC.

(The plug for the Australian market is Type I - 3 pins)

3. Three LEDs on = fully charged.



4. Disconnect and close the cover.



4. Connect To Wi-Fi

1. Enable Bluetooth & WiFi on your phone.

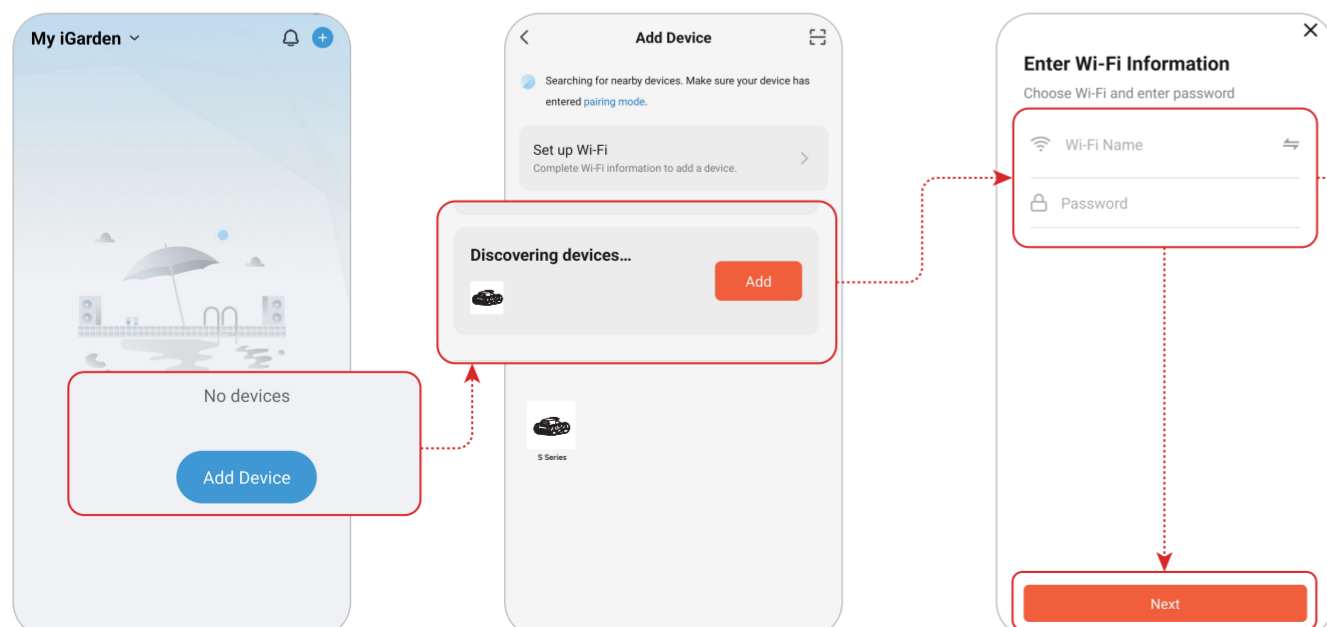
2. Connect to a 2.4 GHz Wi-Fi network with a strong signal (5G Wi-Fi not supported) or Bluetooth.

3. Hold Cleaning Mode for 3 s. After hearing a tone, it is ready to pair.

4. Search and connect device in the "iGarden Robotics" App, when the starts flashing.

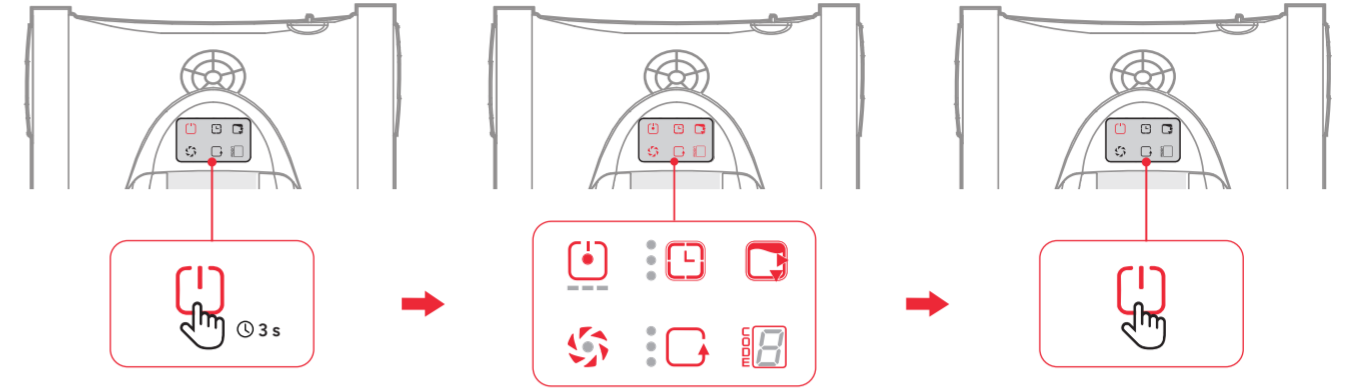
5. Once the Control Panel lights up, the WiFi is set.

Scanning QR Code below to download:



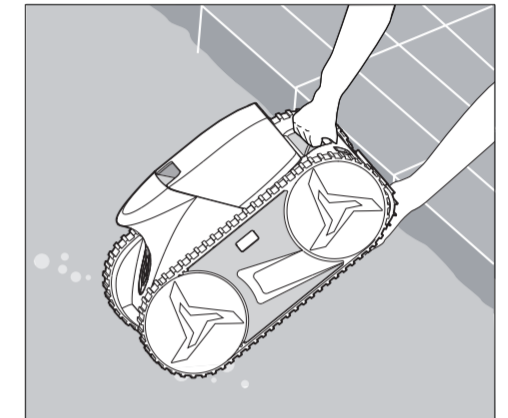
5. Quick Start

1. Go: Hold ON/OFF for 3 s. LEDs flash—set options—tap again to start.



Note: Control panel on—no ON/OFF hold.
Only hold ON/OFF if control panel is off.

2. Place the robot in water, hold it and rotate the cleaner to let the air escape. See image on the right:



3. Submerge the cleaner within 3 minutes when power-on.

Warnings

- Do not swim during operation.
- Charge only with the supplied adapter & battery.

Support

✉ support@igarden.ai (AU & US)
support.eu@igarden.ai (EU)

☎ Toll-free(US): (+1)888-880-3320

🌐 www.igarden.ai

☎ Toll-free(AU): (+61)1800-716-885

See the full guide inside the box for detailed instructions.

