



Where Brilliance and Efficiency meet Innovation.

INSTALLATION GUIDE

STRIPS AND TRACKS
DOMED/FLEX/MINI/FEATURE



evenglow
PAL LIGHTING
BY LIGHTING



Proudly Australian owned and representing over 50 years of manufacturing expertise, PAL delivers the most efficient and technological advancements in pool and outdoor lighting.

RGB MULTI-COLOR

even glow STRIPS AND TRACKS

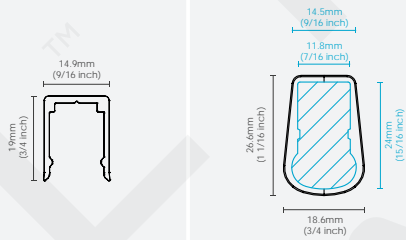
LINEAR LIGHTING DOMED/FLEX/MINI/FEATURE



EVENGLOW FLEX SIDE VIEW - WIDE BEAM

20m / 66FT*

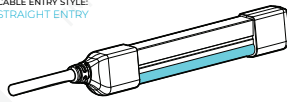
NFWB2-RGB SERIES



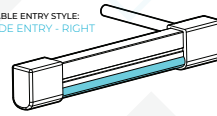
MOUNTING TRACK PART NO:
64-PAL-NFWB2-MT-E-6
(Mounting Track Gt Length)

KEY:
STRIP LIGHT DIMENSIONS
MOULDED END DIMENSIONS

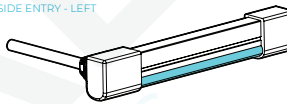
CABLE ENTRY STYLE:
STRAIGHT ENTRY



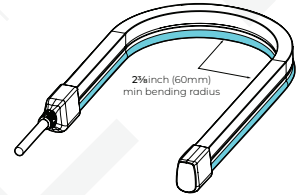
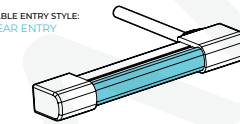
CABLE ENTRY STYLE:
SIDE ENTRY - RIGHT



CABLE ENTRY STYLE:
SIDE ENTRY - LEFT



CABLE ENTRY STYLE:
REAR ENTRY

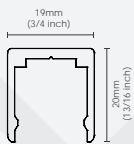


SIDE BENDING

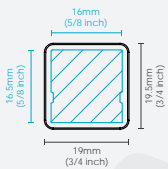
EVENGLOW FLEX SIDE VIEW

20m / 66FT*

NFLS-RGB SERIES

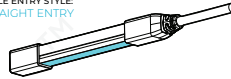


MOUNTING TRACK PART NO:
64-PAL-NFLS-MT-E-6
(Mounting Track Gt Length)

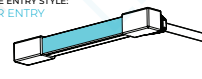


KEY:
STRIP LIGHT DIMENSIONS
MOULDED END DIMENSIONS

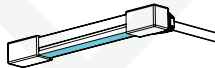
CABLE ENTRY STYLE:
STRAIGHT ENTRY



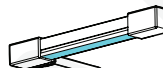
CABLE ENTRY STYLE:
REAR ENTRY



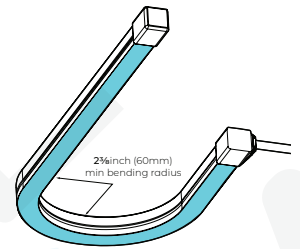
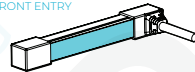
CABLE ENTRY STYLE:
SIDE ENTRY - RIGHT



CABLE ENTRY STYLE:
SIDE ENTRY - LEFT



CABLE ENTRY STYLE:
FRONT ENTRY

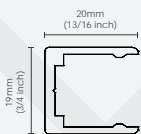


SIDE BENDING

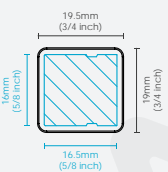
EVENGLOW FLEX TOP VIEW

20m / 66FT*

NFLT-RGB SERIES

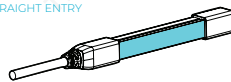


MOUNTING TRACK PART NO:
64-PAL-NFLT-MT-E-6
(Mounting Track Gt Length)

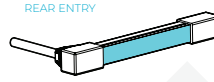


KEY:
STRIP LIGHT DIMENSIONS
MOULDED END DIMENSIONS

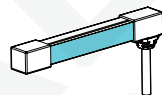
CABLE ENTRY STYLE:
STRAIGHT ENTRY



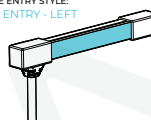
CABLE ENTRY STYLE:
REAR ENTRY



CABLE ENTRY STYLE:
SIDE ENTRY - RIGHT

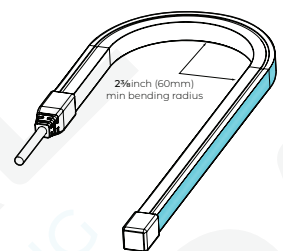
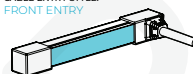


CABLE ENTRY STYLE:
SIDE ENTRY - LEFT

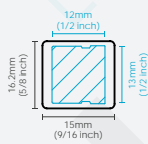
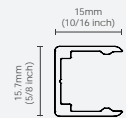


(12.8mm)

CABLE ENTRY STYLE:
FRONT ENTRY



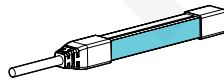
FRONT BENDING



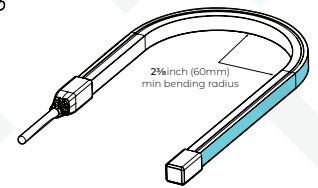
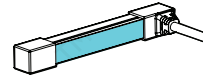
MOUNTING TRACK PART NO:
64-PAL-NFMT2-MT-E-6
(Mounting Track 6ft Length)

KEY:
STRIP LIGHT DIMENSIONS
MOULDED END DIMENSIONS

CABLE ENTRY STYLE:
STRAIGHT ENTRY

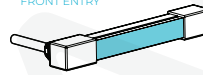


CABLE ENTRY STYLE:
REAR ENTRY



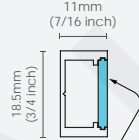
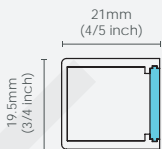
FRONT BENDING

CABLE ENTRY STYLE:
FRONT ENTRY



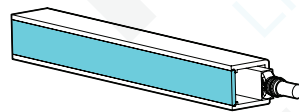
HIGH PROFILE
MOUNTING TRACK PART NO:
64-PAL-PLOF-MT-E-6
(High Profile Mounting Track
6ft Length)

LOW PROFILE
MOUNTING TRACK PART NO:
64-PAL-PLOW-MT-E-6
(Low Profile Mounting Track
6ft Length)

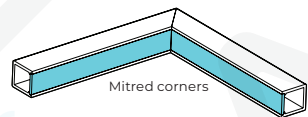
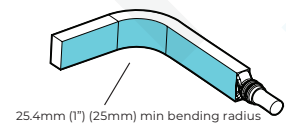
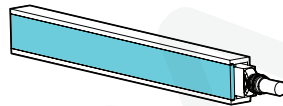


DIFFUSED LENS PART NO:
64-PAL-PLD-LENS-E-18
(Diffused Lens to Suit PLOF & PLOW
Feature Tracks - 18ft Length)

CABLE ENTRY STYLE:
STRAIGHT ENTRY



CABLE ENTRY STYLE:
STRAIGHT ENTRY



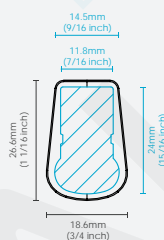
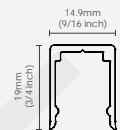
Mitted corners

WHITE

evenglow STRIPS AND TRACKS
LINEAR LIGHTING DOMED/FLEX/MINI/FEATURE



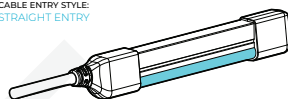
2200K - Warm White Model: 64-PAL-NFWB2-22K-CUS-XXX 64-PAL-NFMT2-22K-CUS-XXX	2300K - Warm White Model: 64-PAL-NFLS-23K-CUS-XXX 64-PAL-NFLT-23K-CUS-XXX 64-PAL-PLOF-23K-CUS-XXX 64-PAL-PLOW-23K-CUS-XXX	2700K - Warm White Model: 64-PAL-NFWB2-27K-CUS-XXX 64-PAL-NFLS-27K-CUS-XXX 64-PAL-NFLT-27K-CUS-XXX 64-PAL-NFMT2-27K-CUS-XXX 64-PAL-PLOF-27K-CUS-XXX 64-PAL-PLOW-27K-CUS-XXX	3000K - Warm White Model: 64-PAL-NFWB2-30K-CUS-XXX 64-PAL-NFLS-30K-CUS-XXX 64-PAL-NFLT-30K-CUS-XXX 64-PAL-NFMT2-30K-CUS-XXX 64-PAL-PLOF-30K-CUS-XXX 64-PAL-PLOW-30K-CUS-XXX	3500K - Warm White Model: 64-PAL-NFLS-35K-CUS-XXX 64-PAL-NFLT-35K-CUS-XXX 64-PAL-NFMT2-35K-CUS-XXX 64-PAL-PLOF-35K-CUS-XXX 64-PAL-PLOW-35K-CUS-XXX	4000K - Natural White Model: 64-PAL-NFWB2-40K-CUS-XXX 64-PAL-NFLS-40K-CUS-XXX 64-PAL-NFLT-40K-CUS-XXX 64-PAL-NFMT2-40K-CUS-XXX 64-PAL-PLOF-40K-CUS-XXX 64-PAL-PLOW-40K-CUS-XXX	5000K - Cool White Model: 64-PAL-NFWB2-50K-CUS-XXX 64-PAL-NFMT2-50K-CUS-XXX 64-PAL-PLOF-50K-CUS-XXX 64-PAL-PLOW-50K-CUS-XXX	6000K - Cool White Model: 64-PAL-PLOF-60K-CUS-XXX 64-PAL-PLOW-60K-CUS-XXX



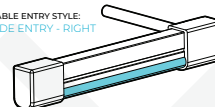
MOUNTING TRACK PART NO:
64-PAL-NFWB2-MT-E-6
(Mounting Track 6ft Length)

KEY:
STRIP LIGHT DIMENSIONS
MOULDED END DIMENSIONS

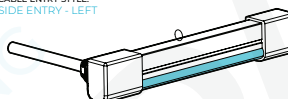
CABLE ENTRY STYLE:
STRAIGHT ENTRY



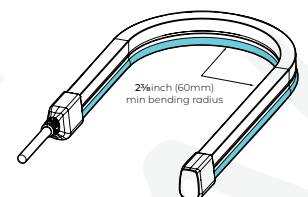
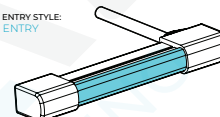
CABLE ENTRY STYLE:
SIDE ENTRY - RIGHT



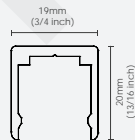
CABLE ENTRY STYLE:
SIDE ENTRY - LEFT



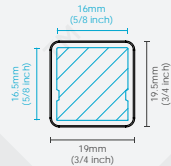
CABLE ENTRY STYLE:
REAR ENTRY



SIDE BENDING

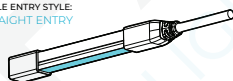


MOUNTING TRACK PART NO:
64-PAL-NFLT-MT-E-6
(Mounting Track 6ft Length)

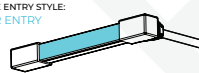


KEY:
STRIP LIGHT DIMENSIONS
MOULDED END DIMENSIONS

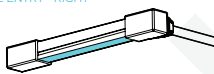
CABLE ENTRY STYLE:
STRAIGHT ENTRY



CABLE ENTRY STYLE:
REAR ENTRY



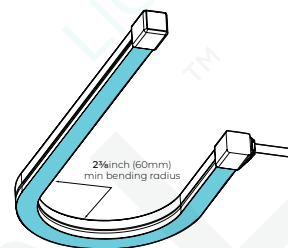
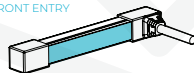
CABLE ENTRY STYLE:
SIDE ENTRY - RIGHT



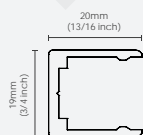
CABLE ENTRY STYLE:
SIDE ENTRY - LEFT



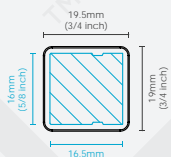
CABLE ENTRY STYLE:
FRONT ENTRY



SIDE BENDING

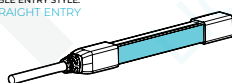


MOUNTING TRACK PART NO:
64-PAL-NFLT-MT-E-6
(Mounting Track 6ft Length)

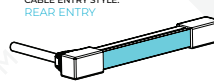


KEY:
STRIP LIGHT DIMENSIONS
MOULDED END DIMENSIONS

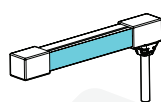
CABLE ENTRY STYLE:
STRAIGHT ENTRY



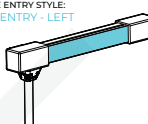
CABLE ENTRY STYLE:
REAR ENTRY



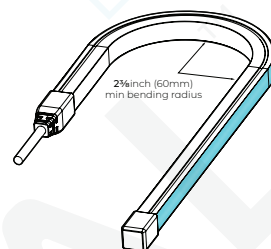
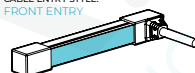
CABLE ENTRY STYLE:
SIDE ENTRY - RIGHT



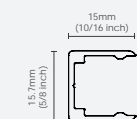
CABLE ENTRY STYLE:
SIDE ENTRY - LEFT



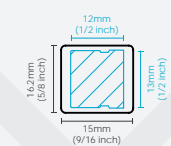
CABLE ENTRY STYLE:
FRONT ENTRY



FRONT BENDING

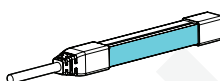


MOUNTING TRACK PART NO:
64-PAL-NFMT2-MT-E-6
(Mounting Track 6ft Length)

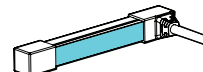


KEY:
STRIP LIGHT DIMENSIONS
MOULDED END DIMENSIONS

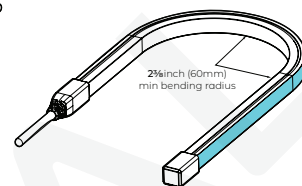
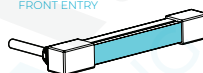
CABLE ENTRY STYLE:
STRAIGHT ENTRY



CABLE ENTRY STYLE:
REAR ENTRY

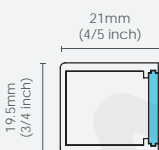


CABLE ENTRY STYLE:
FRONT ENTRY

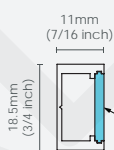


FRONT BENDING

HIGH PROFILE
MOUNTING TRACK PART NO:
64-PAL-PLOF-MT-E-6
(High Profile Mounting Track
6ft Length)

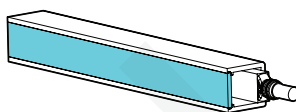


LOW PROFILE
MOUNTING TRACK PART NO:
64-PAL-PLOW-MT-E-6
(Low Profile Mounting Track
6ft Length)

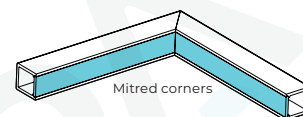
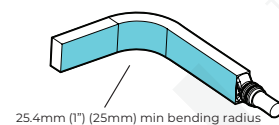
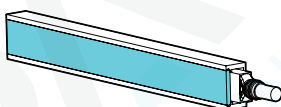


DIFFUSED LENS PART NO:
64-PAL-PLOF-LENS-E-18
(Diffused Lens to Suit PLOF & PLOW
Feature Tracks - 18ft Length)

CABLE ENTRY STYLE:
STRAIGHT ENTRY



CABLE ENTRY STYLE:
STRAIGHT ENTRY



Mitred corners

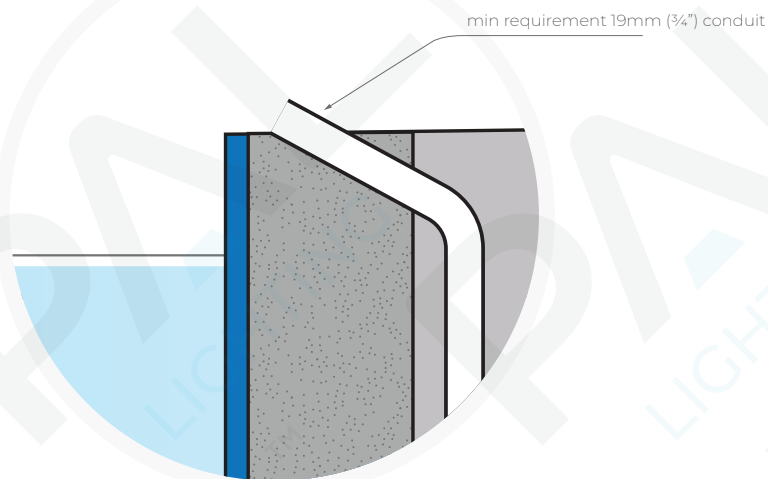
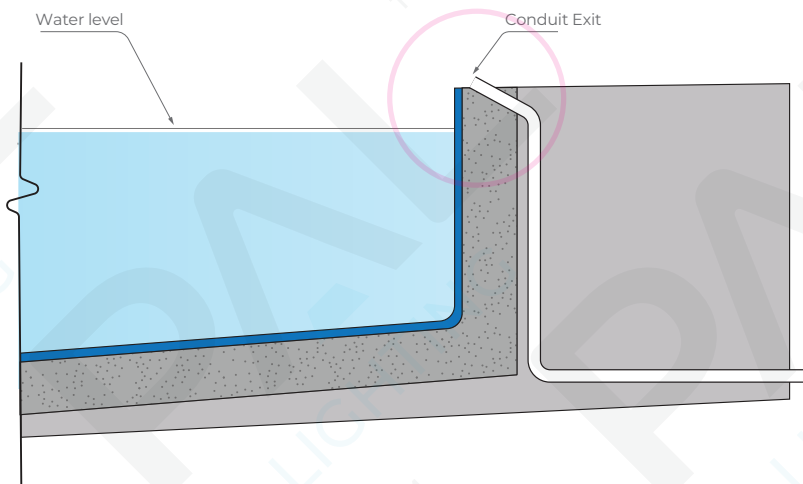
01 STRIP INSTALLATION GUIDE

Pre-Installation

ENTRY POINTS

All entry points will be included in the design plan. It's recommended to use 19mm ($\frac{3}{4}$ ") conduit and always use 1 conduit per cable of the strip light, this will create ease of pulling cables through the conduits and prevent any damage to the cable or the join of the strip light. It's always recommended when running entry points to chase out the concrete on the deck for accurate and precise entry points rather than running conduits into the concrete deck which can move at time of construction causing misaligned entry points

Forward & Downward conduit entry points



Note:

Determination of the direction of the cable will be confirmed after the pre-installation stage and submitted with final lengths. The join direction of the cable will be either straight, side or rear depending on the direction of the conduit. Confirmation of this is required when submitting final lengths.



Concrete



Cement



Stone



Pool Finish



Water



Grass



Light Beam



LED Strip

01 STRIP INSTALLATION GUIDE

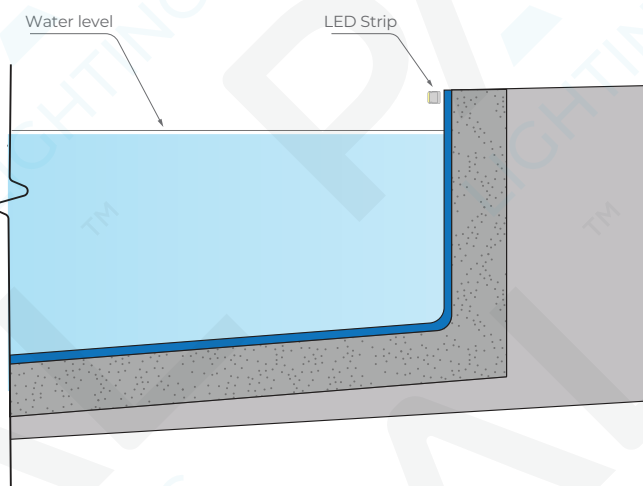
Pre-Installation

OVER-RUNS

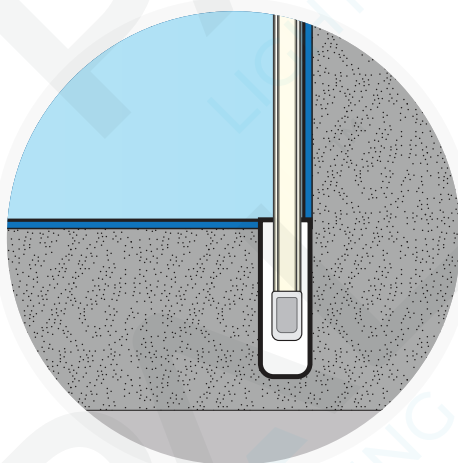
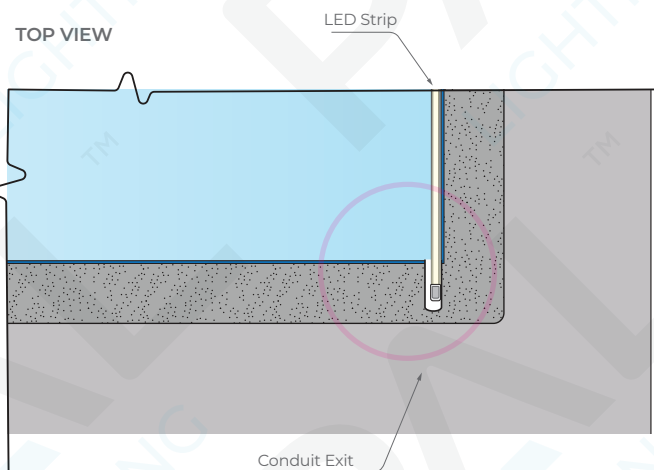
Over-runs are short lengths of conduit or PVC pipe used to conceal an over-run of strip lighting at the opposite end of the entry point. These are required because the make-up of a strip light is cut in increments of 50mm (2") (Evenglow Flex). At the design stage it is determined whether or not an over-run is required on a certain run to avoid a dark spot. Note: All over-run points will be included in the design plan. It's recommended to use a minimum of 25.4mm (1") conduit for an over-run.

Conduit over-runs

SIDE VIEW



TOP VIEW



Note:

If your project has more than one strip light running to one over-run point, be sure to use a larger conduit in this application.



Concrete



Cement



Stone



Pool Finish



Water



Grass



Light Beam



LED Strip

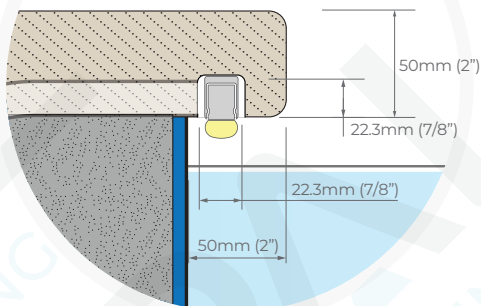
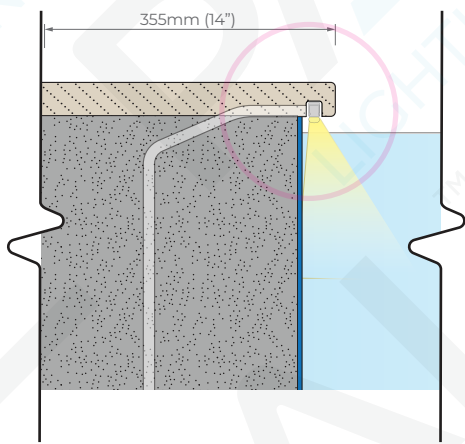
02 STRIP INSTALLATION GUIDE

Pool Coping Perimeter Provisions

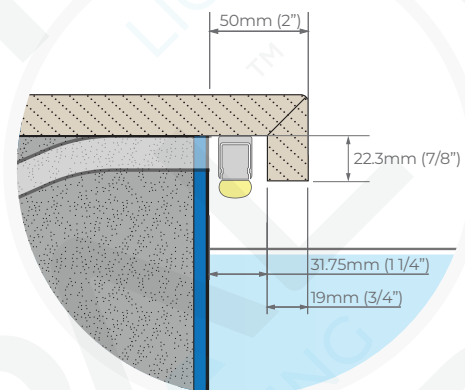
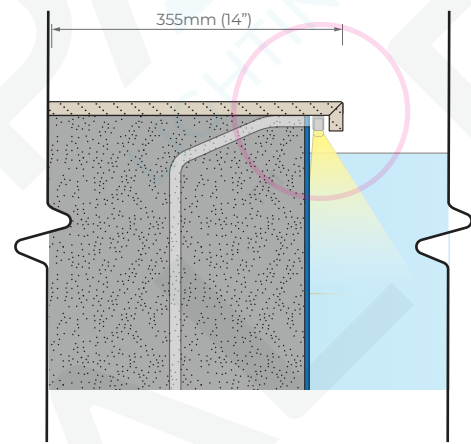
How to install pool perimeter strip lighting in natural stone, pour and place and pre-cast

Downward facing -Natural Stone

Method A: For masonry rebates. The stone must have a minimum of 50mm (2") coping overhang. Coping material MUST be at least 50mm (2") thick. The masonry cut dimensions of a rebate/channel should be **22.3mm (7/8") deep** and **22.3mm (7/8") wide**, this will allow space for the installation of mounting track.



Method B: For Drop Down Edge. The stone must have a minimum of 50mm (2") coping overhang. The miter joint drop-down edge must be at least **38.1mm (1 1/2 inch)**. Coping material MUST be at least **19mm (3/4 inch)** thick. Allow a minimum distance of **31.75mm (1 1/4 inch)** from the pool edge to the rear of stone to allow for installation of mounting track.



Concrete



Cement



Stone



Pool Finish



Water



Grass



Light Beam



LED Strip

02 STRIP INSTALLATION GUIDE

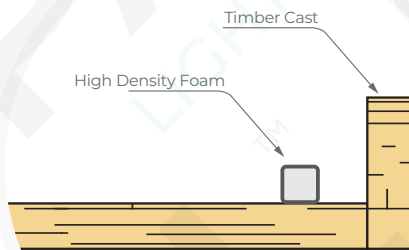
Pool Coping Perimeter Provisions

How to install pool perimeter strip lighting in natural stone, pour and place and pre-cast

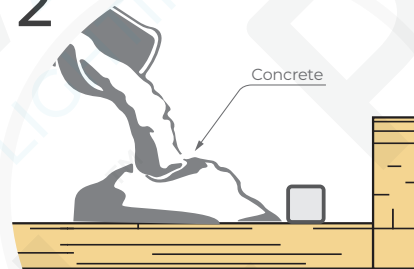
Pour and Place

High density foam or timber dowel is recommended during the pour and place process to create the rebate for the mounting of the track. The foam or timber dowel should be **22.3mm (7/8") deep** and **22.3mm (7/8") wide** in size, this will allow space for the installation of mounting track. Minimum distance overhang should be 50mm (2").

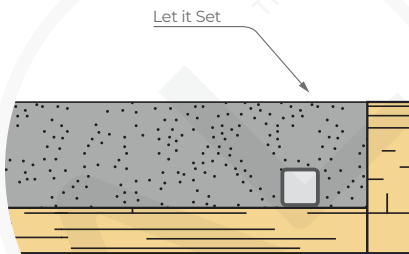
STEP
1



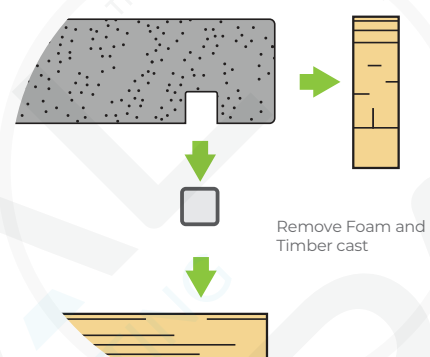
STEP
2



STEP
3



STEP
4



Concrete



Cement



Stone



Pool Finish



Water



Grass



Light Beam



LED Strip

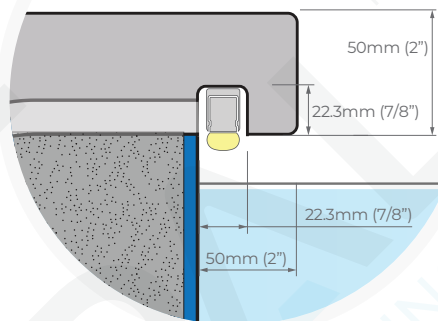
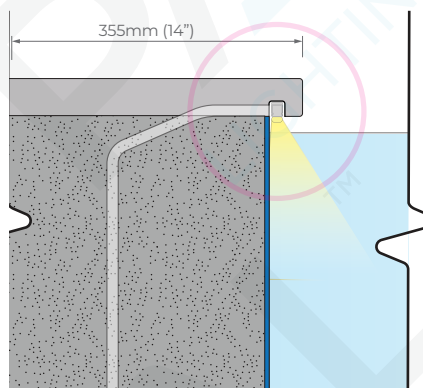
02 STRIP INSTALLATION GUIDE

Pool Coping Perimeter Provisions

How to install pool perimeter strip lighting in natural stone, pour and place and pre-cast

Pre-cast Stone

Most manufacturers will add the rebate to the pre-cast stone by either casting it into the stone at manufacturing or cut the masonry rebate required. The pre-cast stone must have a minimum of 50mm (2") coping overhang. Pre-cast coping material **MUST** be at least 50mm (2") thick. The masonry cut dimensions of a rebate/channel should be **22.3mm (7/8") deep** and **22.3mm (7/8") wide**, this will allow space for the installation of mounting track. Minimum distance overhang should be 50mm (2").



Concrete



Cement



Stone



Pool Finish



Water



Grass



Light Beam



LED Strip

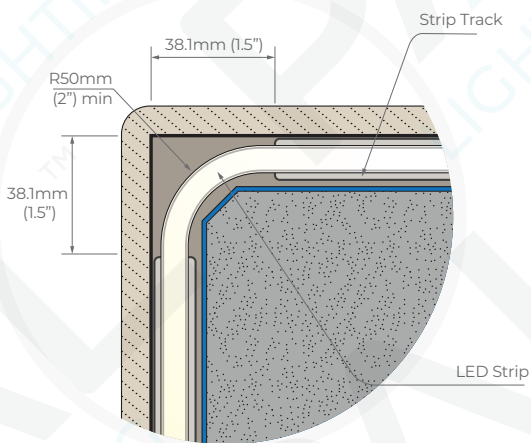
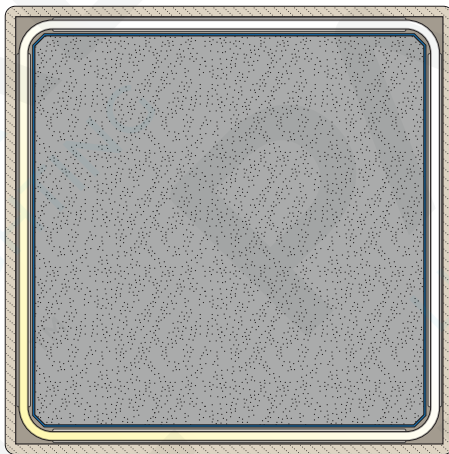
03 STRIP INSTALLATION GUIDE

Pool perimeter strip lighting for corners and curves

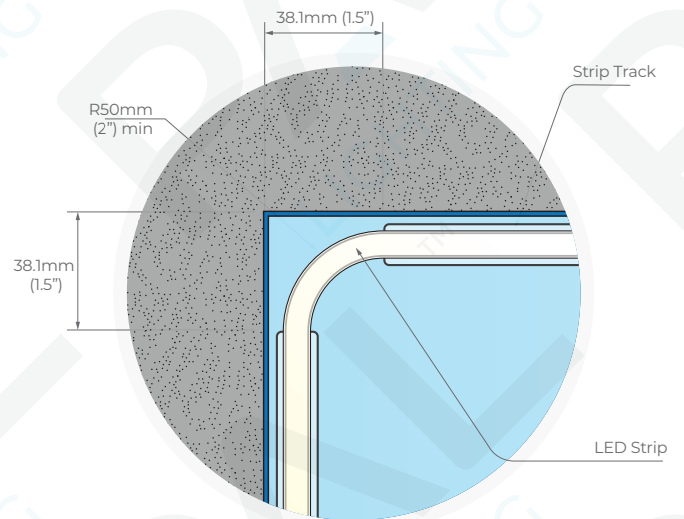
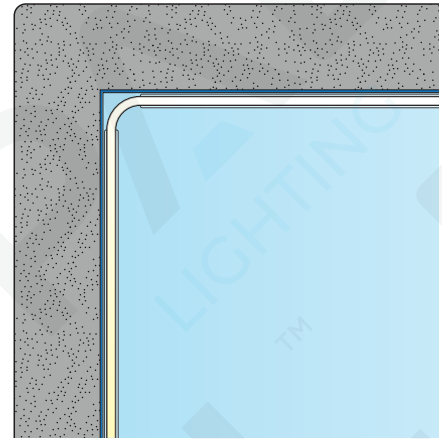
Corners

Provision must be made to the rebate/channel in all methods of installation so that there is sufficient space to bend the light strip around corners. The light fixture will bend through 90 degrees with as little as a 38.1mm (1 1/2") radius, but room must be made for this 'bend' inside the coping at ALL corners. Minimum distance overhang should be 76.2mm (3").

External Mounting



Internal Mounting



Concrete



Cement



Stone



Pool Finish



Water



Grass



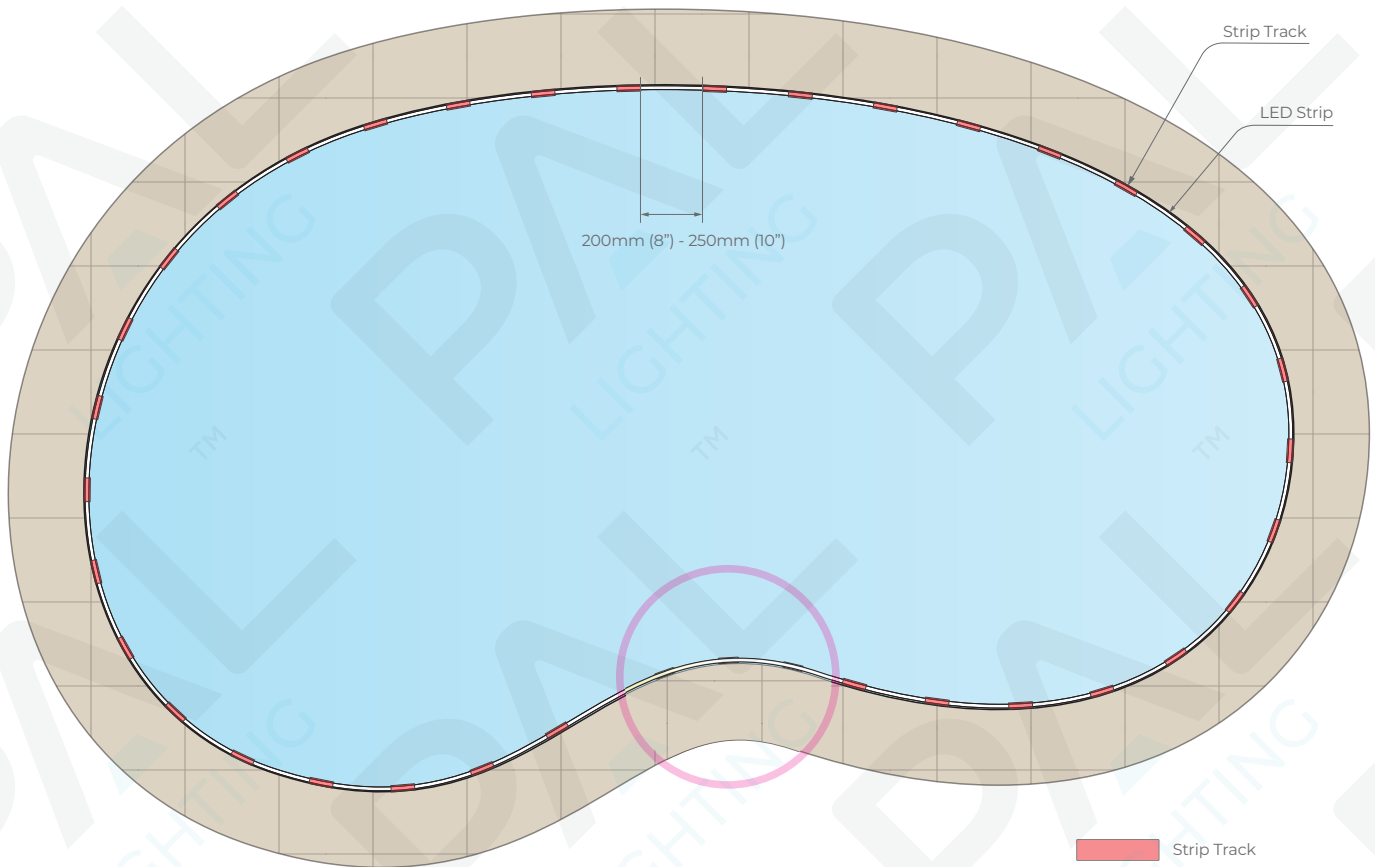
Light Beam



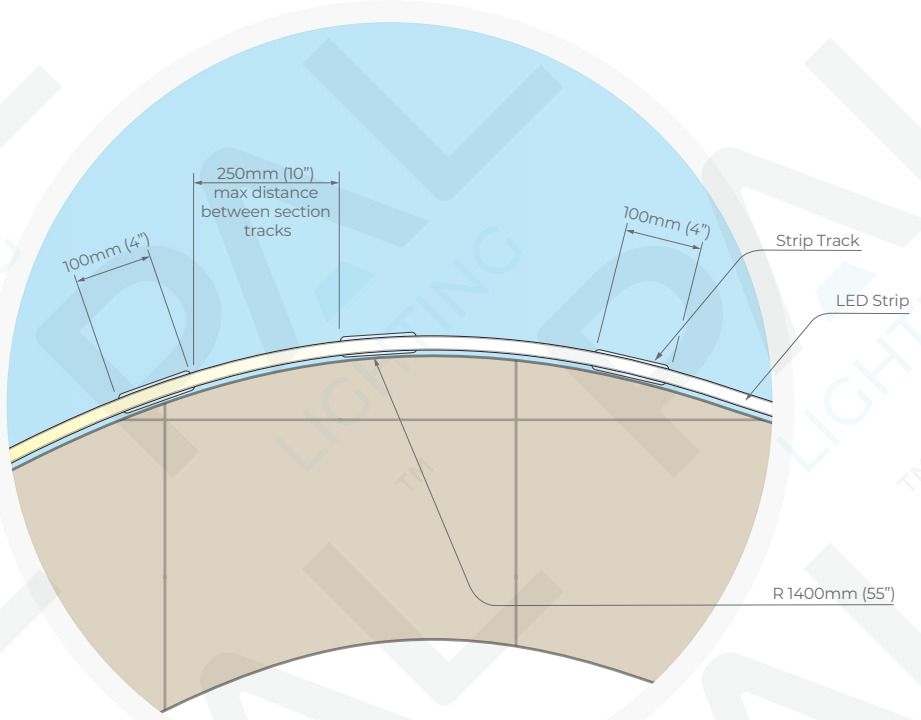
LED Strip

03 STRIP INSTALLATION GUIDE

Pool perimeter strip lighting for corners and curves



- Strip Track
- LED Strip



Concrete



Cement



Stone



Pool Finish



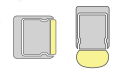
Water



Grass



Light Beam



LED Strip

04 STRIP INSTALLATION GUIDE

Installation of track into rebate channels

Installation of track into rebate channels.

When installing the Strip Light into the rebated channel, be sure there are 2 people installing the Strip Light.

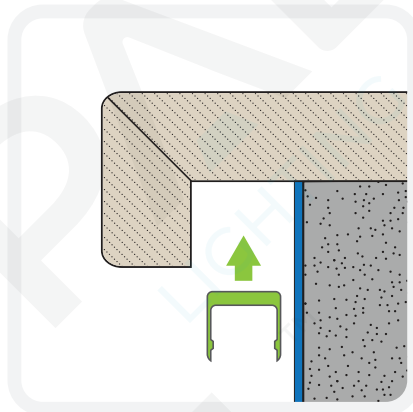
STEP
1



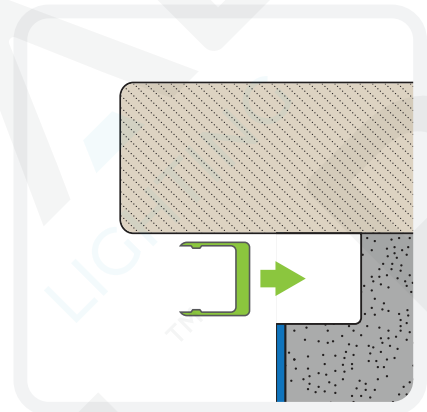
ADHESIVE

Mount the track to a dry surface using a chlorine resistant waterproof adhesive and allow it cure/dry.

STEP
2



WALL MOUNT
Concrete Pool Only

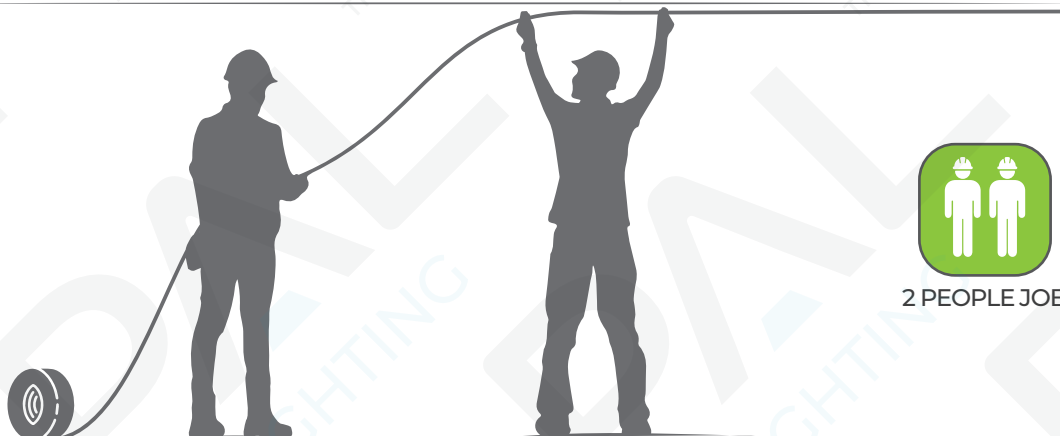


COPING MOUNT
Concrete, FiberGlass, Vinyl-Line Pool

Installation of Strip Light into track.

When installing the Strip Light into the rebated channel, be sure there are 2 people installing the Strip Light.

Note: Never roll the Strip Light completely out flat, to avoid any twisting and strain on the Strip Light. Also, it's recommended that the Strip Light is installed when the pool is empty.



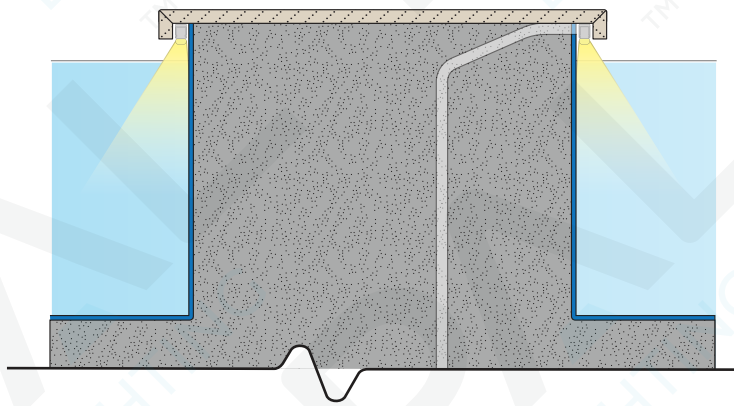
2 PEOPLE JOB

05 STRIP INSTALLATION GUIDE

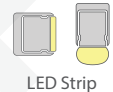
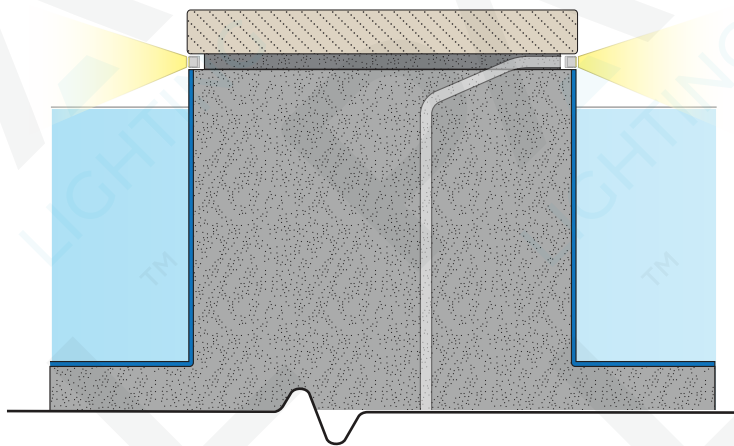
Steppingstone

The shape of the mounting pad and material of the steppingstones will determine if the Strip Light is to be installed downward facing or forward facing.

Downward facing -Natural Stone



Forward facing -Natural Stone



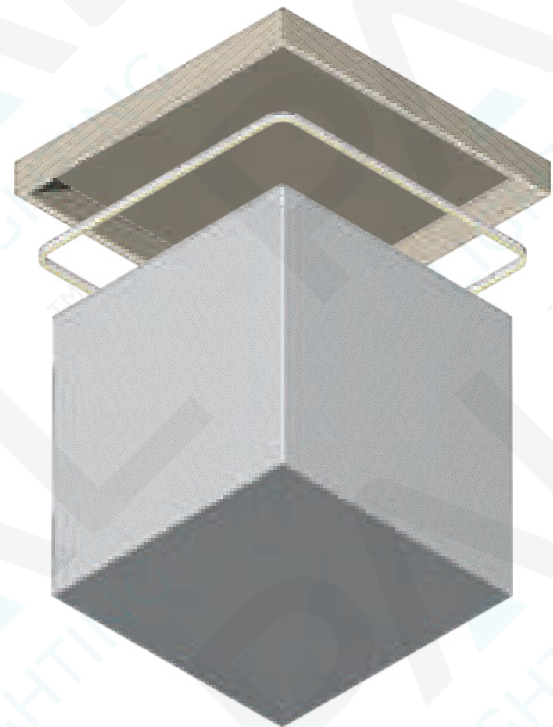
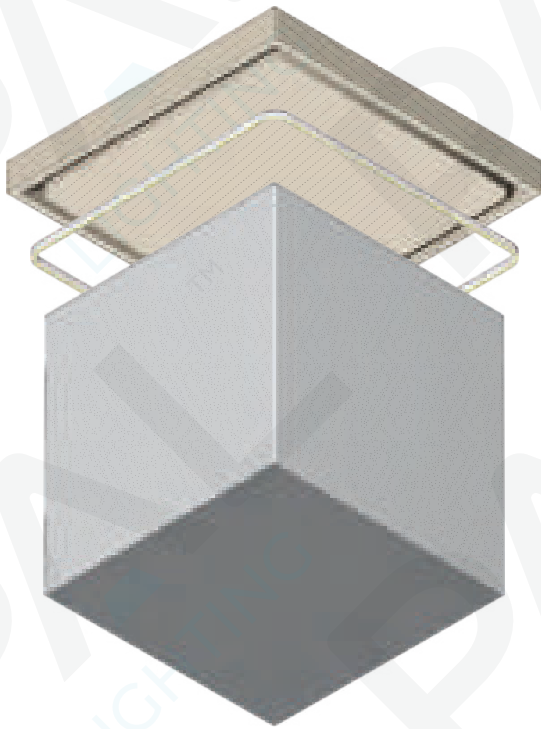
05 STRIP INSTALLATION GUIDE

Steppingstone

Downward facing -Natural Stone

Method A: For masonry rebates. The stone must have a minimum of 50mm (2") coping overhang. Coping material MUST be at least 50mm (2") thick. The masonry cut dimensions of a rebate/channel should be 19mm (¾") deep and 16mm (5/8") wide, this will allow space for the installation of mounting track.

Method B: For Drop Down Edge. The stone must have a minimum of 50mm (2") coping overhang. The miter joint drop-down edge must be at least 38.1mm (1 ½"). Coping material MUST be at least 19mm (¾") thick. Allow a minimum distance of 31.75mm (1 ½") from the pool edge to the rear of stone to allow for installation of mounting track.



Concrete



Cement



Stone



Pool Finish



Water



Grass



Light Beam



LED Strip

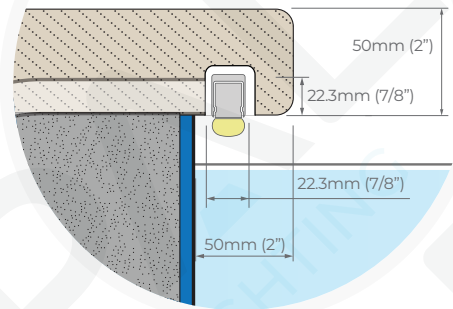
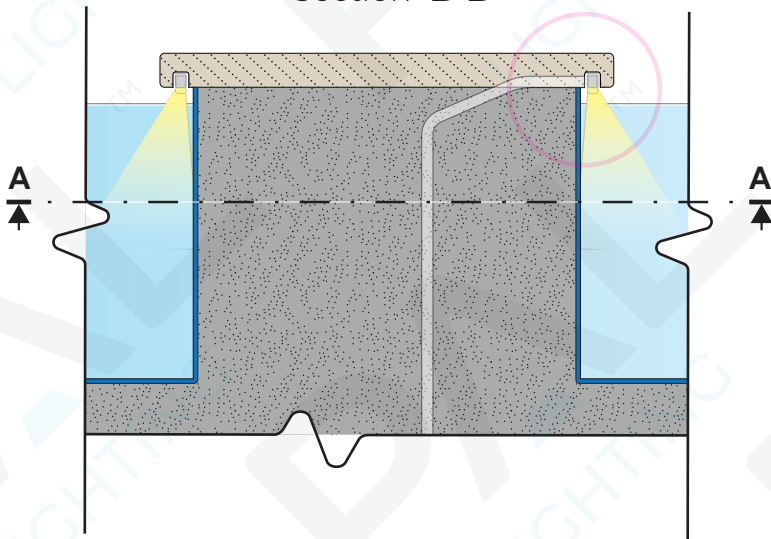
05 STRIP INSTALLATION GUIDE

Steppingstone

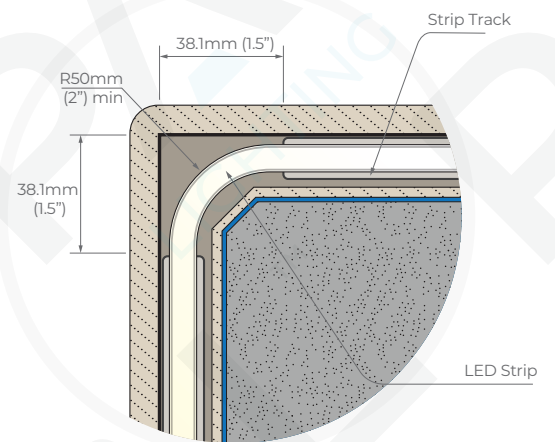
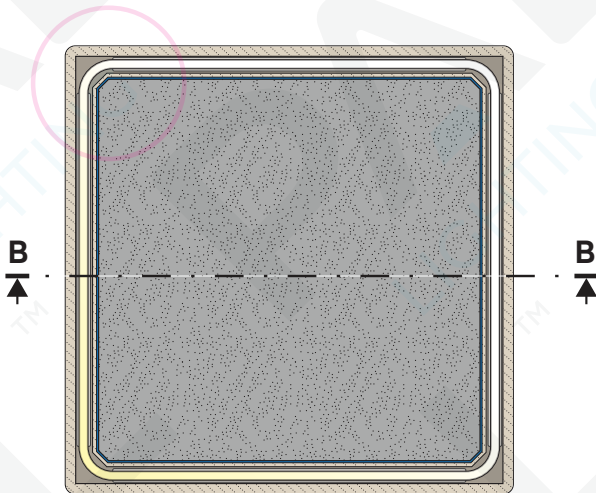
Downward facing - Natural Stone (Rebate)

Method A: For masonry rebates. The stone must have a minimum of 50mm (2") coping overhang. Coping material MUST be at least 50mm (2") thick. The masonry cut dimensions of a rebate/channel should be **22.3mm (7/8") deep** and **22.3mm (7/8") wide**, this will allow space for the installation of mounting track.

Section **B-B**



Section **A-A**



Concrete



Cement



Stone



Pool Finish



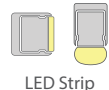
Water



Grass



Light Beam



LED Strip

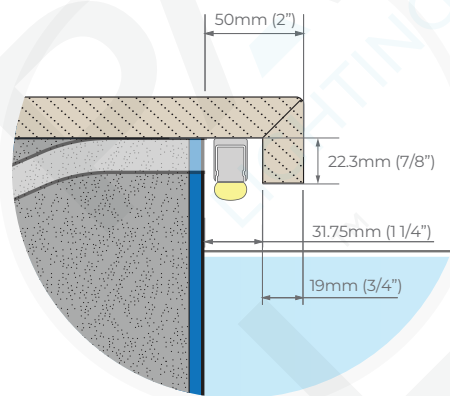
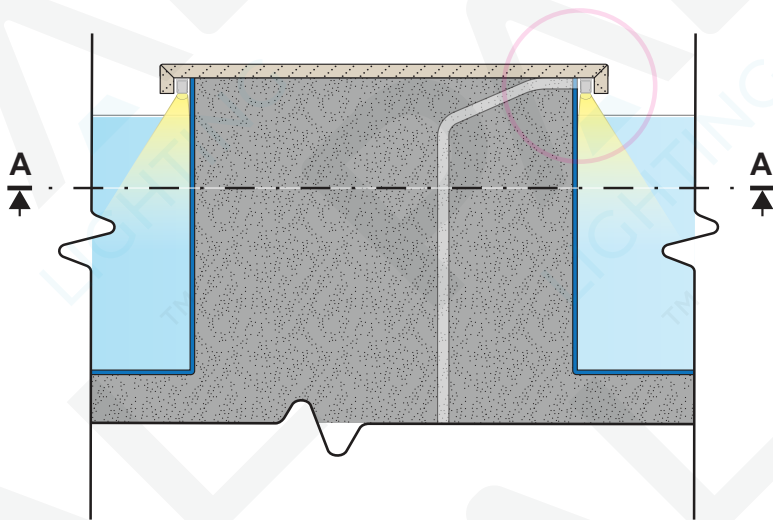
05 STRIP INSTALLATION GUIDE

Steppingstone

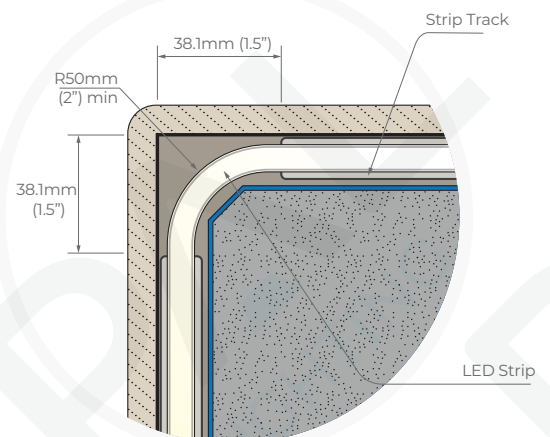
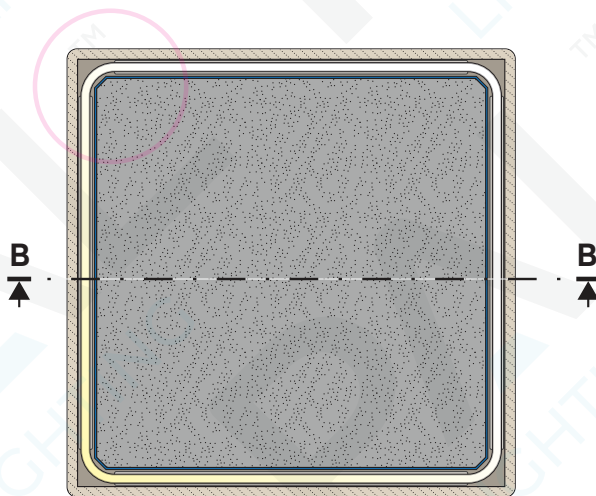
Downward facing -Natural Stone (Drop Down)

Method B: For Drop Down Edge. The stone must have a minimum of 50mm (2") coping overhang. The miter joint drop-down edge must be at least 38.1mm (1 1/2"). Coping material MUST be at least 19mm (3/4") thick. Allow a minimum distance of 31.75mm (1 1/4") from the pool edge to the rear of stone to allow for installation of mounting track.

Section **B-B**



Section **A-A**



Concrete



Cement



Stone



Pool Finish



Water



Grass



Light Beam



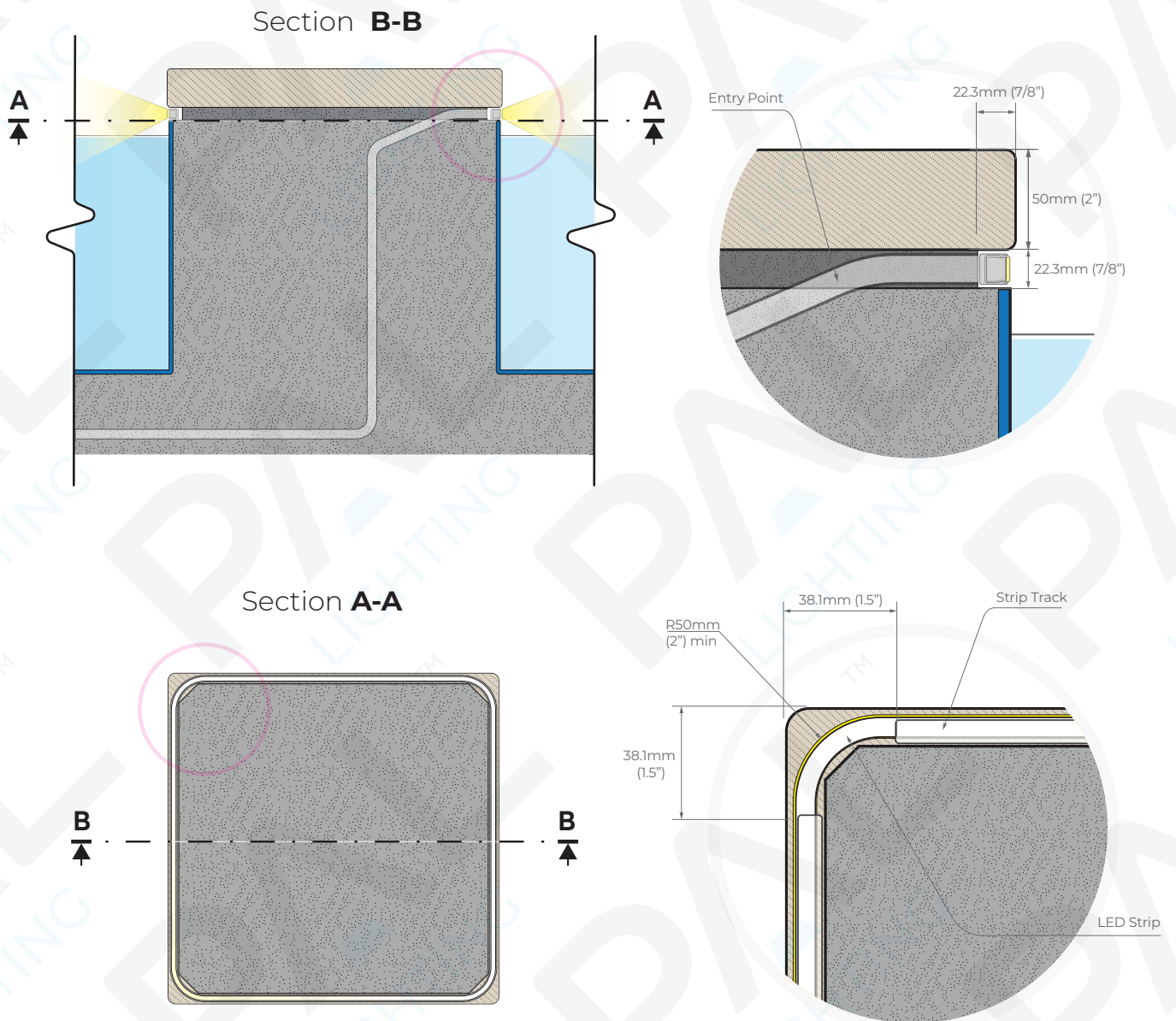
LED Strip

05 STRIP INSTALLATION GUIDE

Steppingstone

Forward facing - Natural Stone

A rebate should be formed into the concrete pad underneath the steppingstone. The dimensions of a rebate/channel should be **22.3mm (7/8") deep** and **22.3mm (7/8") wide**.



Note:

60mm (2 3/8") radius must be made for ALL corner bends. If this radius can't be achieved, it is then recommended to run individual runs.



Concrete



Cement



Stone



Pool Finish



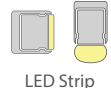
Water



Grass



Light Beam



LED Strip

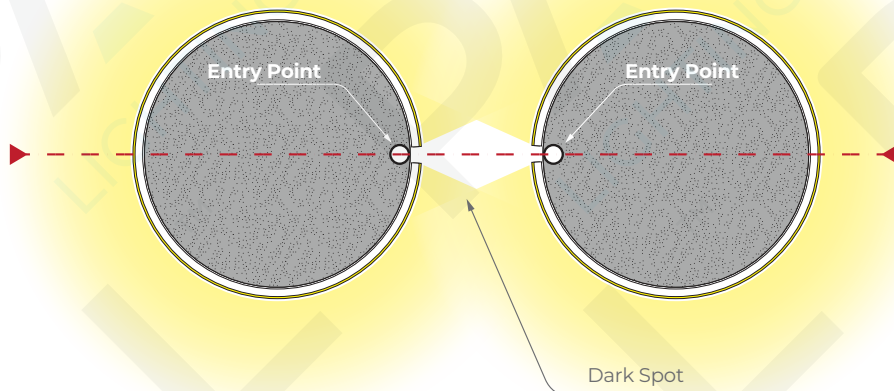
05 STRIP INSTALLATION GUIDE

Steppingstone

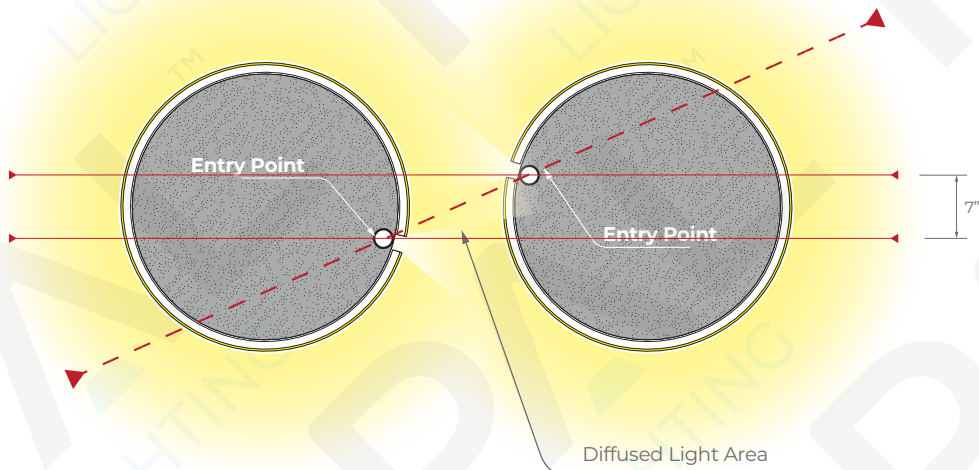
Entry Points

The strip light is cut in increments of 99mm (3.9") (Evenglow Flex) and 50mm (1.97") (Evenglow Mini). At the design stage, conduit entry points will be marked where required to avoid a dark spots. Placing conduits in between two steppingstones will avoid dark spots.

Wrong Setting



Correct Setting



Note:

Always use the correct setting at the START and END of the stepping stone line.



Concrete



Cement



Stone



Pool Finish



Water



Grass



Light Beam



LED Strip

06 STRIP INSTALLATION GUIDE

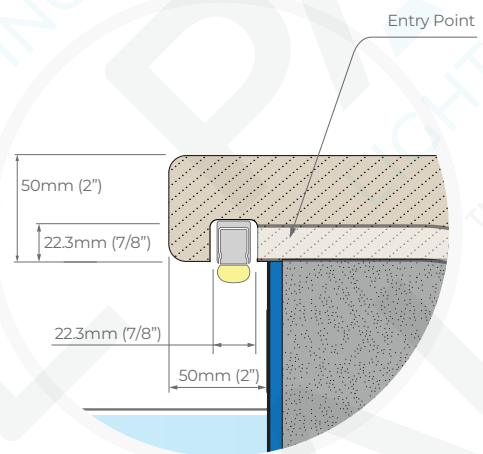
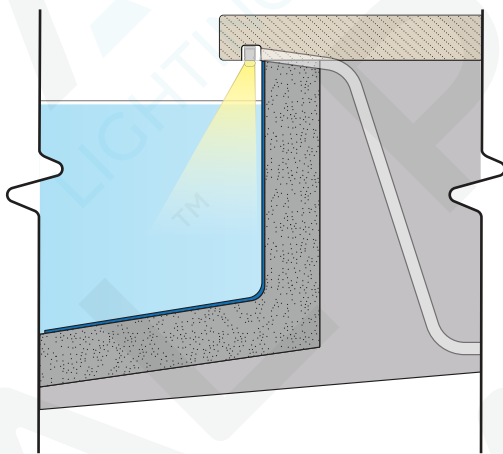
Infinity Edge

When installing the Strip Light into an overflow tank or catch basin, you must consider the height of the wall and the set back of the catch basin/tank. This will determine if your Strip Light is to be installed downward facing or forward facing.

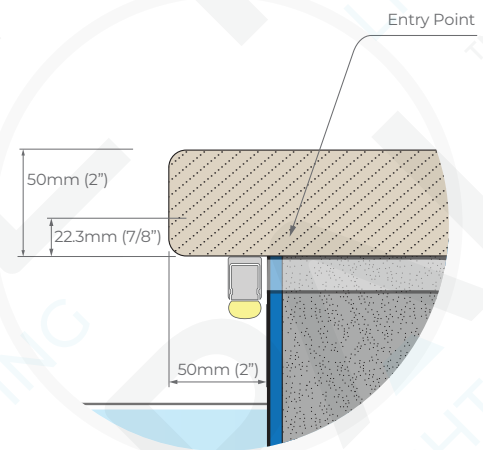
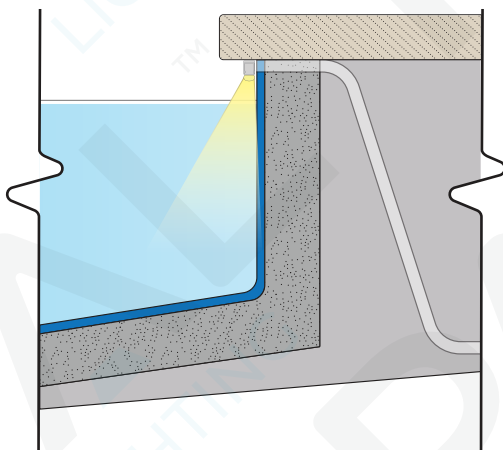
Downward facing -Natural Stone

Allow for a minimum of 50mm (2") coping overhang. Coping material MUST be at least 50mm (2") thick. The dimensions of a rebate/channel should be **22.3mm (7/8") deep** and **22.3mm (7/8") wide**, this will allow space for the installation of mounting track.

Rebated installation



Surface mount installation



Note:

300mm (1ft) of internal basin width will illuminate 600mm (2ft) of wall, and every extra 1ft of basin width thereafter will illuminate another 300mm (1ft) of wall.



Concrete



Cement



Stone



Pool Finish



Water



Grass



Light Beam



LED Strip

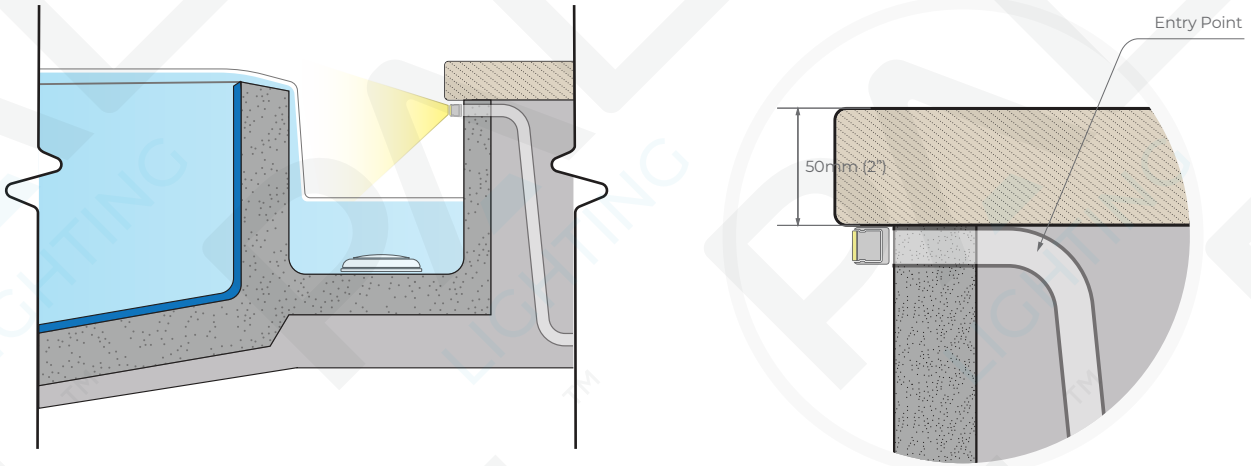
06 STRIP INSTALLATION GUIDE

Infinity Edge

Forward facing -Natural Stone

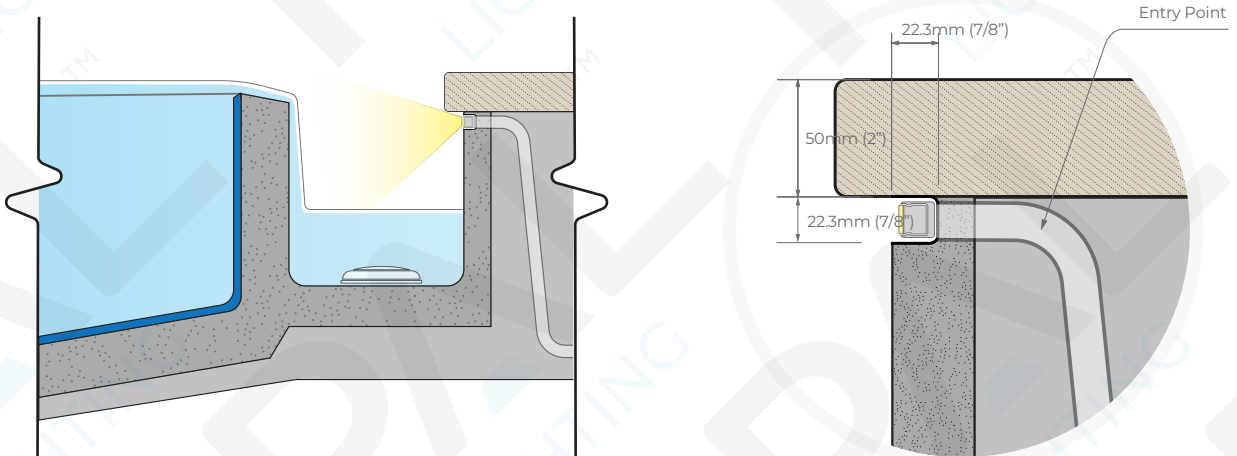
Surface Mount

Allow for a minimum of 25.4mm (1") coping overhang if you surface mount the track to the basin wall.



Recessed

The dimensions of a rebate/channel should be **22.3mm (7/8") deep and 22.3mm (7/8") wide**, when using EvenGlow flex and **12.7mm (1/2") deep and 16mm (5/8") wide** when using Mini Top View.



Note:

300mm (1ft) of internal basin width will illuminate 900mm (3ft) of wall, and every extra 1ft of basin width thereafter will illuminate another 600-900mm (2-3ft) of wall.



Concrete



Cement



Stone



Pool Finish



Water



Grass



Light Beam



LED Strip

07 STRIP INSTALLATION GUIDE

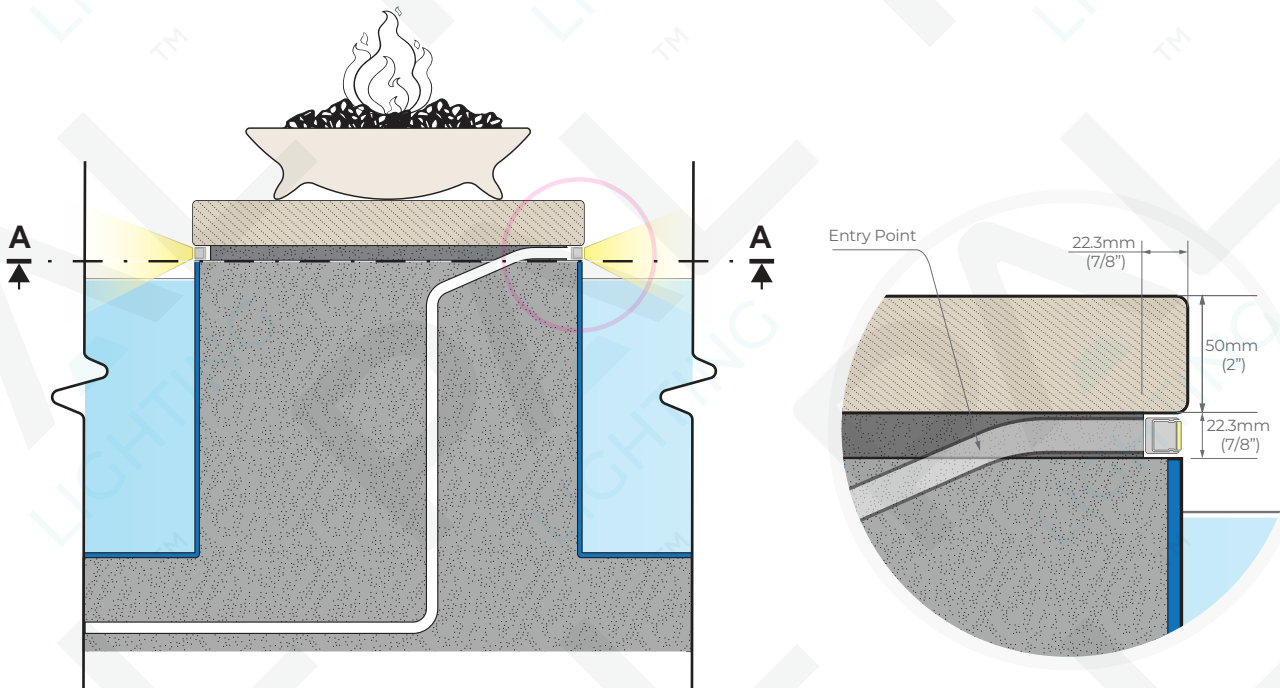
Water and Fire Bowls

When installing the Strip Light beneath a water or fire bowl, knowing what structure is under the bowl and if it has a coping will determine how the Strip Light will be installed.

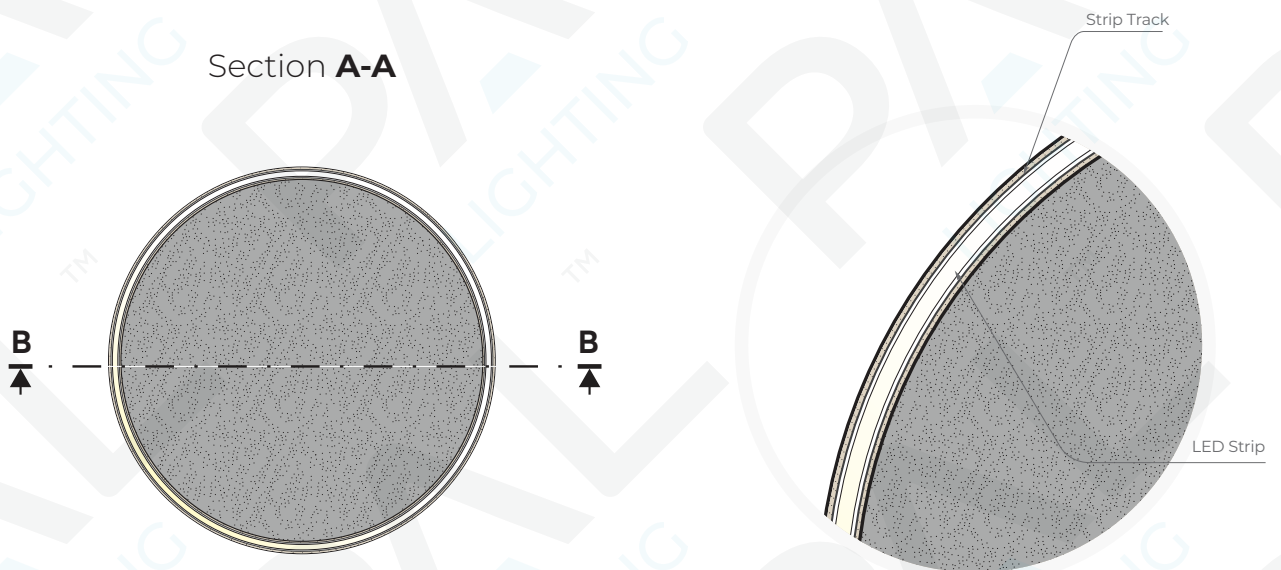
Forward facing - Natural Stone

Allow for a minimum of 25.4mm (1") coping overhang if you surface mount the track to the basin wall. The dimensions of a rebate/channel should be **22.3mm (7/8") deep** and **22.3mm (7/8") wide** when using EvenGlow flex and **12.7mm (1/2") deep** and **16mm (5/8") wide** when using Mini Top View.

Section **B-B**



Section **A-A**



07 STRIP INSTALLATION GUIDE

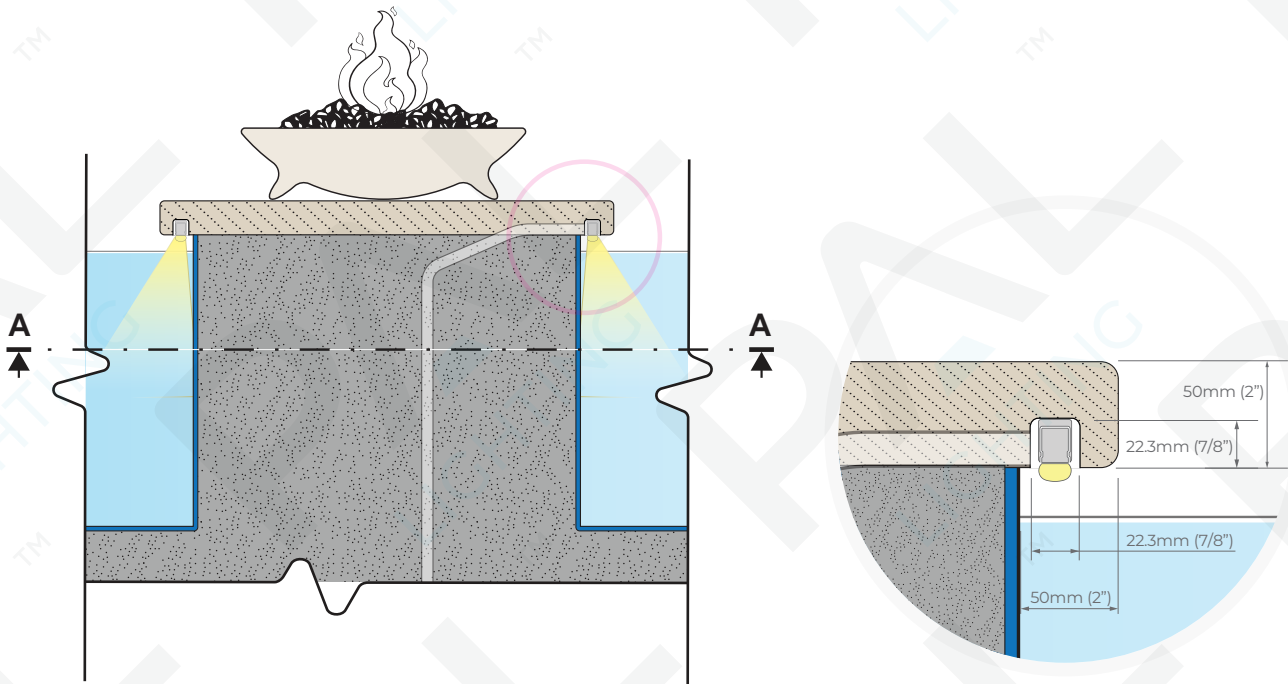
Water and Fire Bowls

When installing the Strip Light beneath a water or fire bowl, knowing what structure is under the bowl and if it has a coping will determine how the Strip Light will be installed.

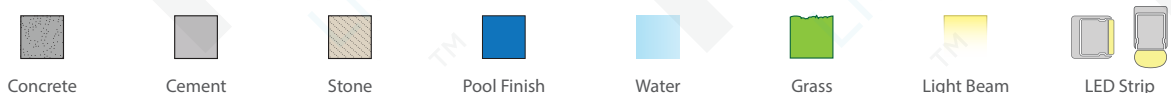
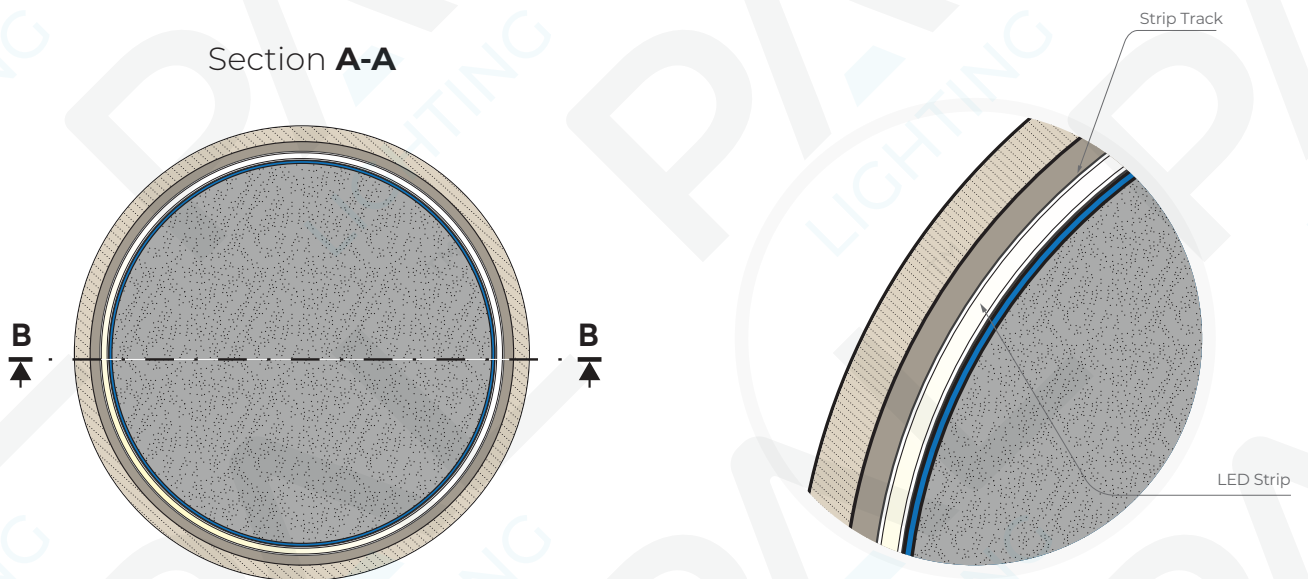
Downward facing - Natural Stone

Allow for a minimum of 50mm (2") coping overhang. Coping material MUST be at least 50mm (2") thick. The dimensions of a rebate/channel should be **22.3mm (7/8") deep** and **22.3mm (7/8") wide**, this will allow space for the installation of mounting track.

Section **B-B**



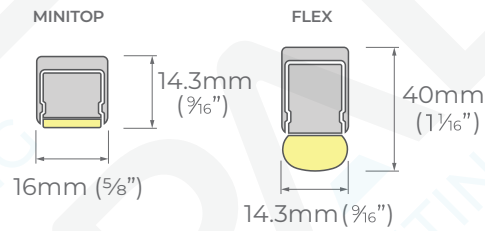
Section **A-A**



08 STRIP INSTALLATION GUIDE

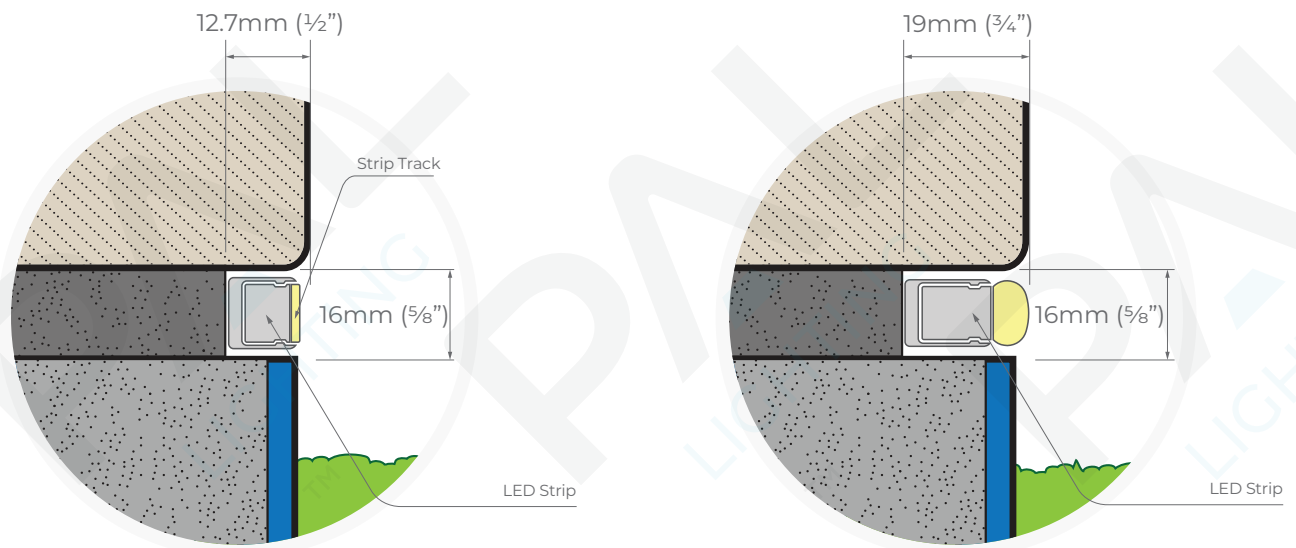
Garden Beds

When installing the Strip Light into a garden bed, you must consider the height of the wall and the set back of the garden bed. This will determine if your Strip Light is to be installed downward facing or forward facing.



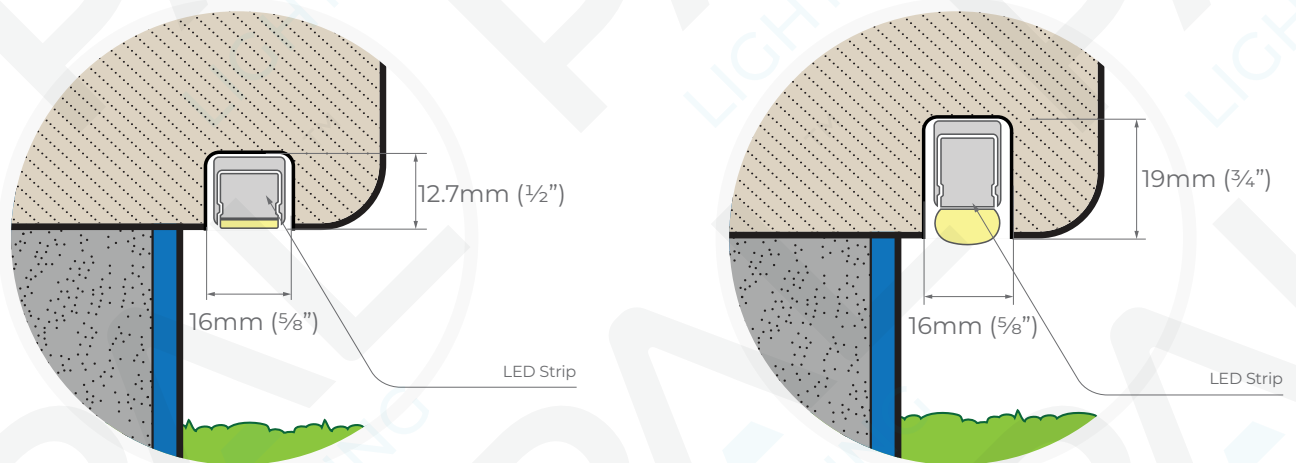
Forward facing

Allow for a minimum of 25.4mm (1") coping overhang if you surface mount the track to the retaining wall. The dimensions of a rebate/channel should be 19mm (3/4") deep and 16mm (5/8") wide when using EvenGlow Flex and 12.7mm (1/2") deep and 16mm (5/8") wide when using Mini Top View.



Downward facing

Allow for a minimum of 25.4mm (1") coping overhang if you surface mount the track to the retaining wall. The dimensions of a rebate/channel should be 22.3mm (7/8") deep and 22.3mm (7/8") wide when using EvenGlow Flex and 12.7mm (1/2") deep and 16mm (5/8") wide when using Mini Top View.



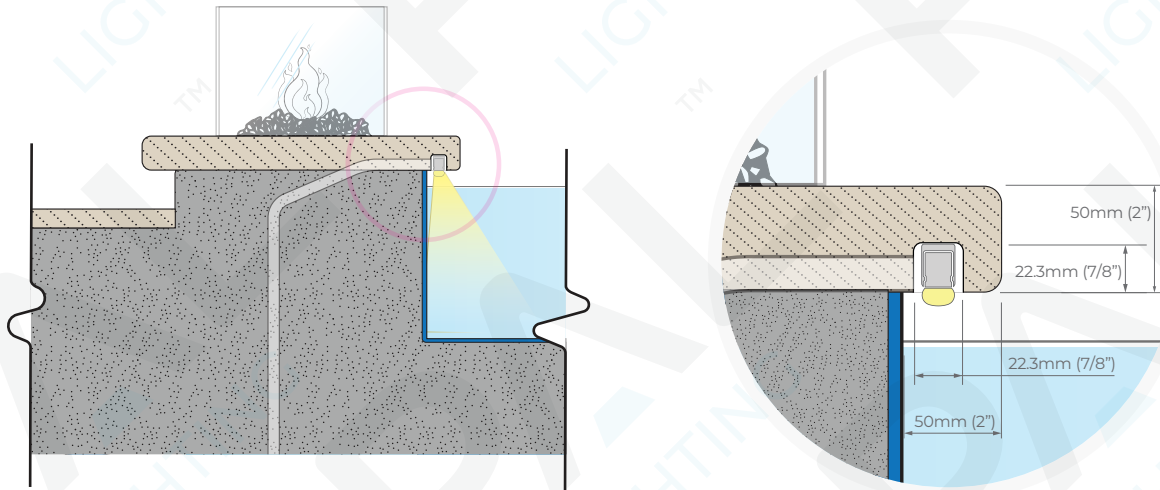
09 STRIP INSTALLATION GUIDE

Fire Feature Wall

When installing the Strip Light into a garden bed, you must consider the height of the wall and the set back of the garden bed. This will determine if your Strip Light is to be installed downward facing or forward facing.

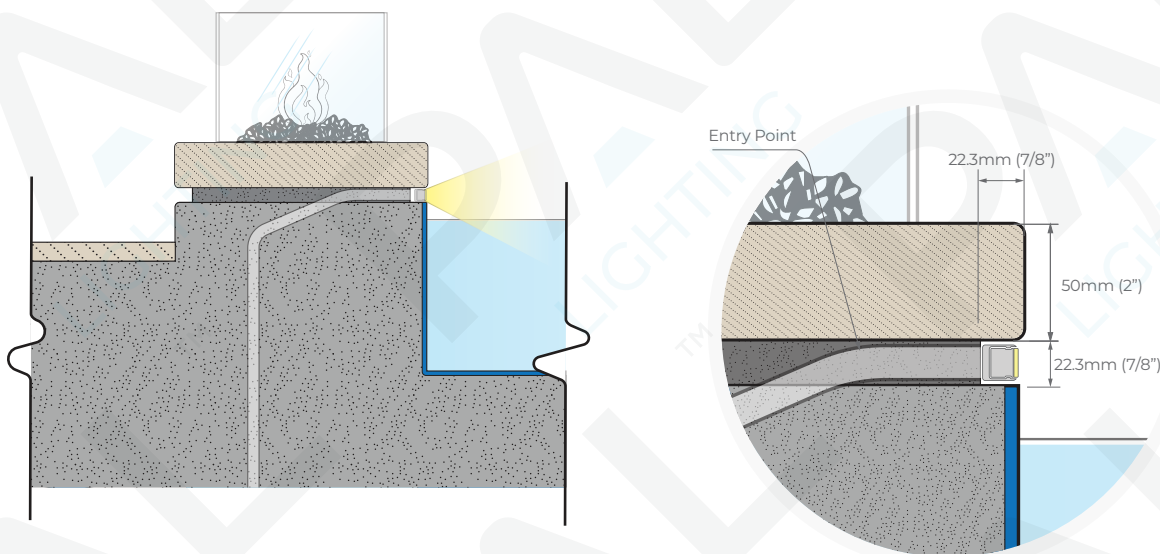
Downward facing

Allow for a minimum of 50mm (2") coping overhang. Coping material MUST be at least 50mm (2") thick. The dimensions of a rebate/channel should be 19mm (¾") deep and 16mm (5/8") wide, this will allow space for the installation of mounting track.



Forward facing

Allow for a minimum of 25.4mm (1") coping overhang if you surface mount the track to the retaining wall. The dimensions of a rebate/channel should be 19mm (¾") deep and 16mm (5/8") wide when using EvenGlow Flex and 12.7mm (½") deep and 16mm (5/8") wide when using Mini Top View.



Note:

60mm (2 3/8") radius must be made for ALL corner bends.

Warning! Strip Light must be installed being concealed away from any flame or heat.



Concrete



Cement



Stone



Pool Finish



Water



Grass



Light Beam



LED Strip

10 STRIP INSTALLATION GUIDE

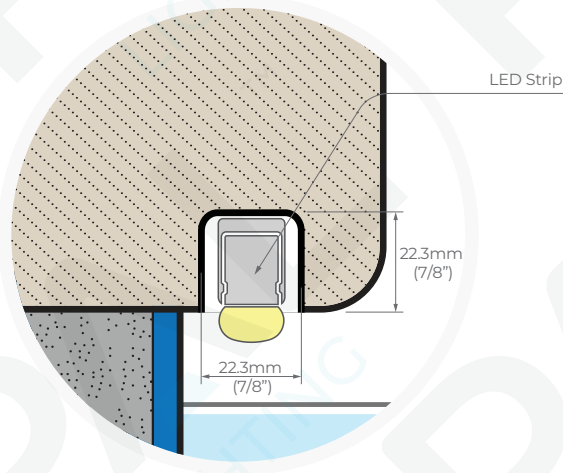
Swim Outs and Baja Shelves

When installing the Strip Light for swim outs, baja shelves, or any low-level area of water in a pool, determining the number of sides to be lit and if there are any raised features will avoid any hot spots and illuminate the entire area of water.

Downward facing

Allow for a minimum of 38.1mm (1 1/2") coping overhang. Coping material MUST be at least 50mm (2") thick.

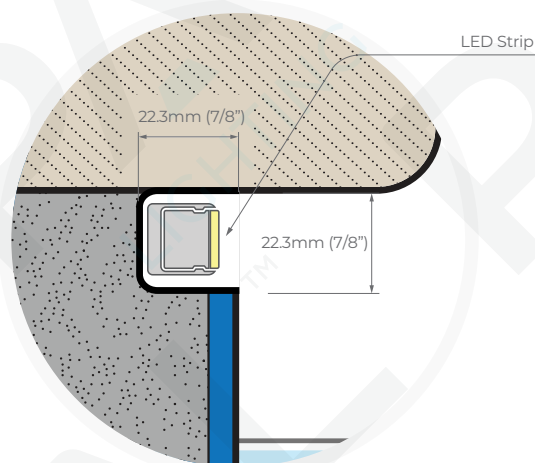
The dimensions of a rebate/channel should be **22.3mm (7/8") deep** and **22.3mm (7/8") wide**, this will allow space for the installation of mounting track.



Forward facing

Allow for a minimum of 25.4mm (1") coping overhang if you surface mount the track to the retaining wall.

The dimensions of a rebate/channel should be **22.3mm (7/8") deep** and **22.3mm (7/8") wide**.



Note:

60mm (2 3/8") radius must be made for ALL corner bends.



Concrete



Cement



Stone



Pool Finish



Water



Grass



Light Beam



LED Strip

11 STRIP INSTALLATION GUIDE

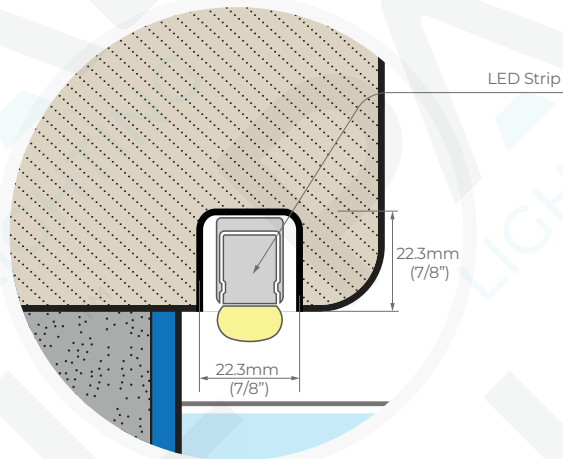
Hardscapes

The height of the wall and the type of coping will determine if the Strip Light is to be installed downward facing or forward facing.

Downward facing

Allow for a minimum of 38.1mm (1 1/2") coping overhang. Coping material MUST be at least 50mm (2") thick.

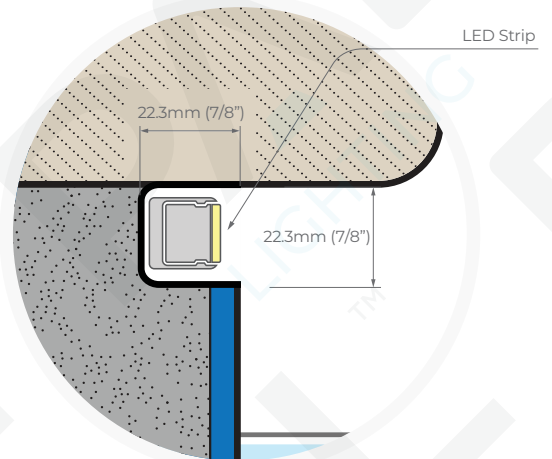
The dimensions of a rebate/channel should be **22.3mm (7/8") deep** and **22.3mm (7/8") wide**, this will allow space for the installation of mounting track.



Forward facing

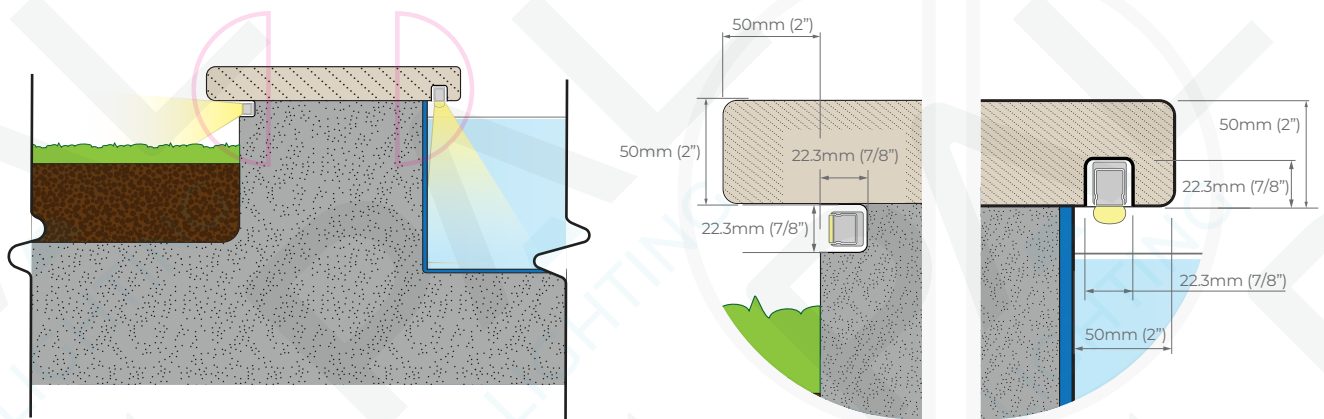
Allow for a minimum of 25.4mm (1") coping overhang if you surface mount the track to the retaining wall.

The dimensions of a rebate/channel should be **22.3mm (7/8") deep** and **22.3mm (7/8") wide**.



Combination

If a retaining wall which consists of two different levels, a combination of forward and downward facing may be required, or a recessed and surface mount installation may be utilized to illuminate both sides of the retaining wall.



Note:

60mm (2 3/8") radius must be made for ALL corner bends.



Concrete



Cement



Stone



Pool Finish



Water



Grass



Light Beam



LED Strip

12 STRIP INSTALLATION GUIDE

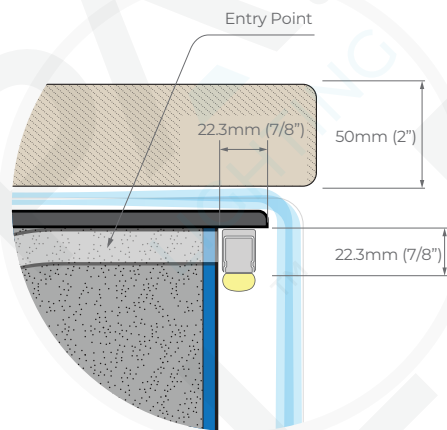
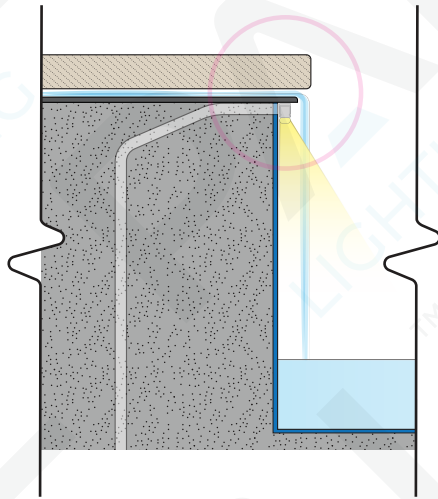
Water Features

When installing the Strip Light onto a water feature wall, you must consider the height of the wall and the set back of the catch basin/tank. This will determine if your Strip Light is to be installed downward facing or forward facing.

Downward facing

Allow for a minimum of 38.1mm (1 1/2") coping overhang. Coping material MUST be at least 50mm (2") thick.

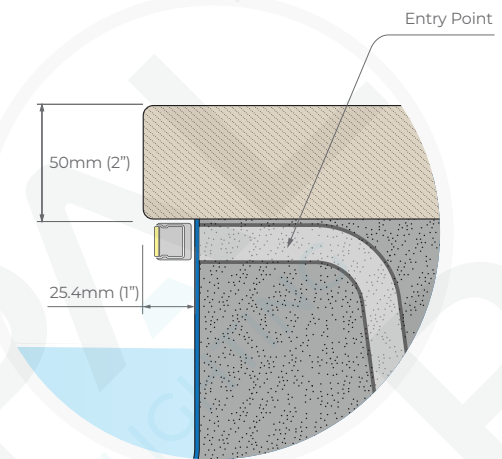
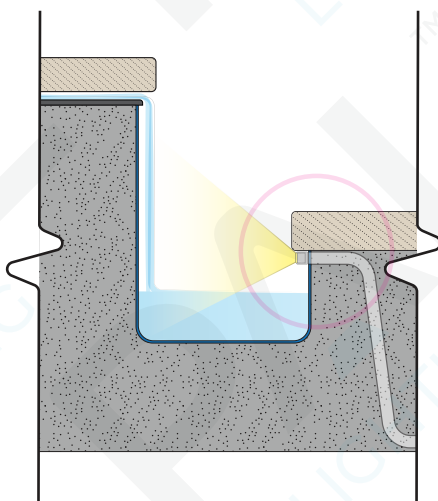
The dimensions of a rebate/channel should be 19mm (3/4") deep and 16mm (5/8") wide, this will allow space for the installation of mounting track.



Forward facing

Allow for a minimum of 25.4mm (1") coping overhang if you surface mount the track to the retaining wall.

The dimensions of a rebate/channel should be 22.3mm (7/8") deep and 22.3mm (7/8") wide.



Note:

It's recommended to use 19mm (3/4") conduit for cable entry and always use 1 conduit per strip light cable. 60mm (2 3/8") radius must be made for ALL corner bends.



Concrete



Cement



Stone



Pool Finish



Water



Grass



Light Beam

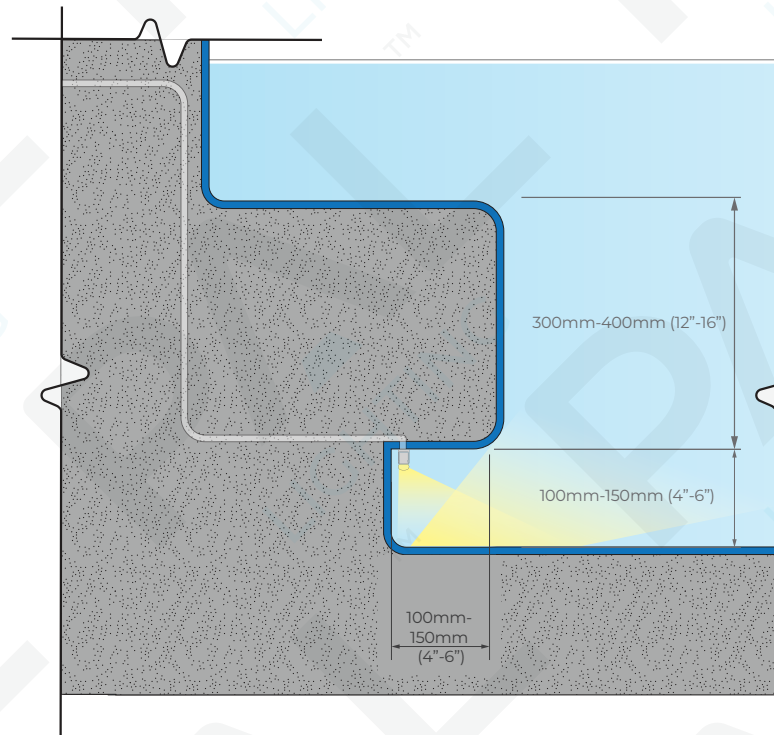


LED Strip

When installing the Strip Light into the rebate of the spa/toe kick, you must consider the height of the rebate and the set back of the toe kick. This will determine if your Strip Light is to be installed downward facing or forward facing

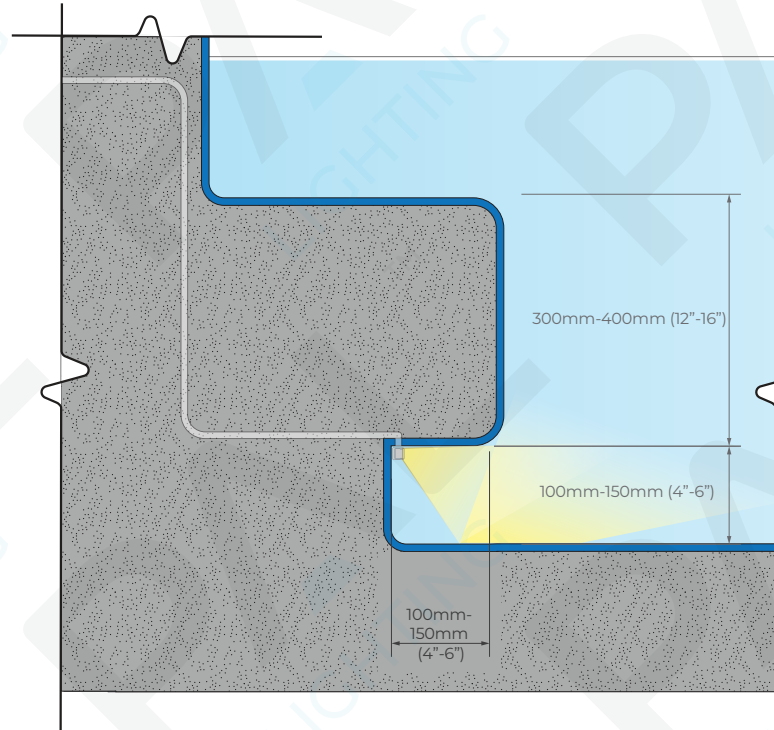
Downward facing

Allow for a minimum of 100mm (4") by 100mm (4") rebate if you surface mount the track to the back corner of the toe kick rebate facing forwards.



Forward facing

Allow for a minimum of 100mm (4") by 100mm (4") rebate if you surface mount the track to the back corner of the toe kick rebate facing forwards.



Note:

It's recommended to use 19mm (¾") conduit for cable entry and always use 1 conduit per strip light cable. 38.1mm (1 12.7mm (½")) radius must be made for ALL corner bends.

Warning! When installing a PAL Strip Light that will be submerged, you must submit your plans/designs to design@pallighting.com and follow PAL's design specifications for installation.



Concrete



Cement



Stone



Pool Finish



Water



Grass



Light Beam



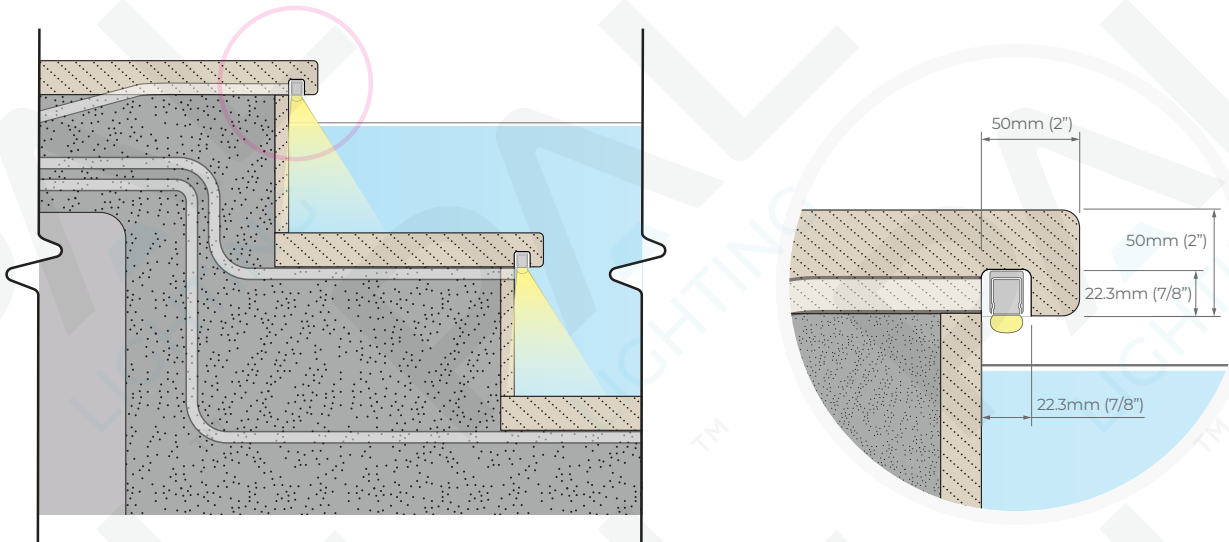
LED Strip

14 STRIP INSTALLATION GUIDE

Stair Installation

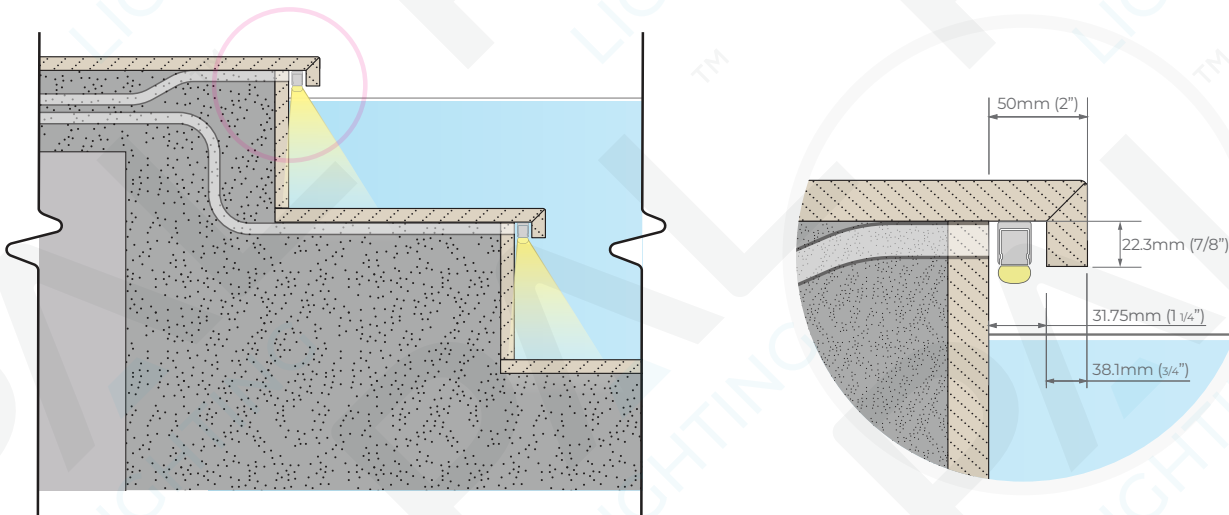
Rebate Coping (Downward Facing)

The stone must have a minimum of 50mm (2") coping overhang. Coping material MUST be at least 50mm (2") thick. The masonry cut dimensions of a rebate/channel should be **22.3mm (7/8") deep** and **22.3mm (7/8") wide**, this will allow space for the installation of mounting track.



Drop Down (Downward Facing)

The stone must have a minimum of 50mm (2") coping overhang. The miter join drop-down edge must be at least 38.1mm (1 1/2"). Coping material MUST be at least **19mm (3/4") thick**. Allow a minimum distance of **31.75mm (1 1/4")** from the pool edge to the rear of stone to allow for installation of mounting track.



Note:

It's recommended to use 19mm (3/4") conduit for cable entry and always use 1 conduit per strip light cable. 38.1mm (1/2") radius must be made for ALL corner bends.



Concrete



Cement



Stone



Pool Finish



Water



Grass



Light Beam

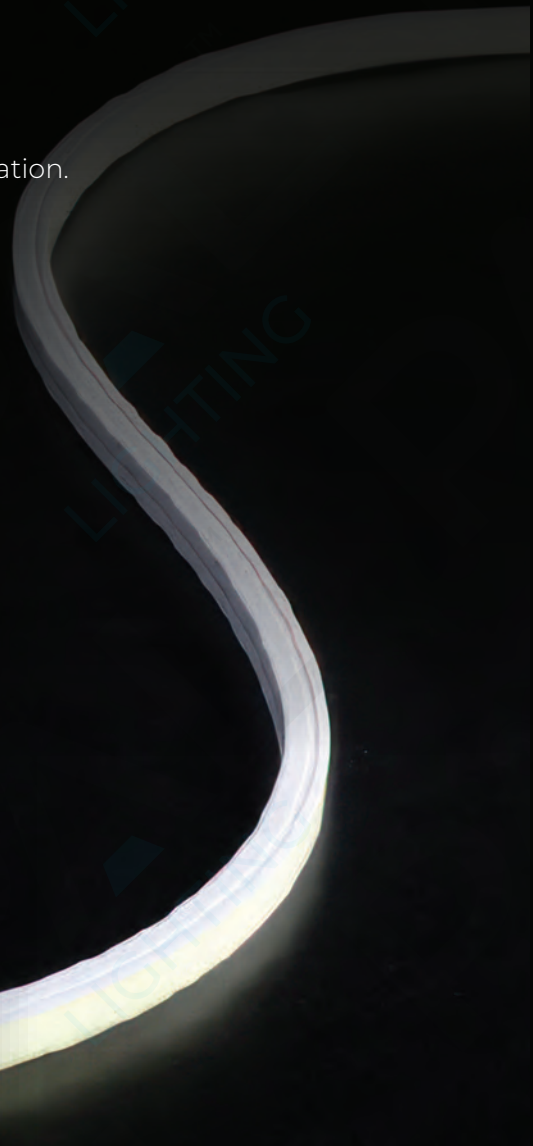


LED Strip

PALTM
LIGHTING

Where Brilliance and Efficiency meet Innovation.

even**glow**
PAL LIGHTING
PAL LIGHTING



PAL LIGHTING
4830 Timber Creek Drive,
Houston, TX 77017
P: 713.946.4343

Proudly Australian owned and representing over 50 years of manufacturing expertise, PAL delivers the most efficient and technological advancements in pool and outdoor lighting.