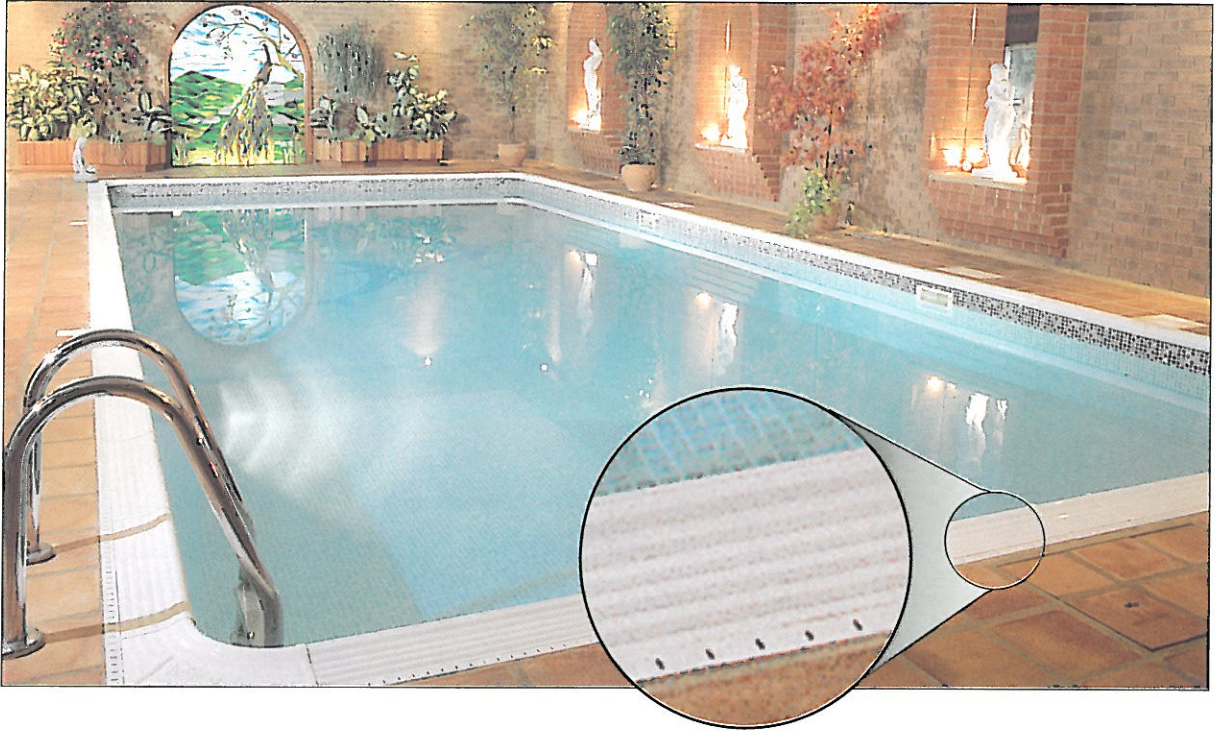
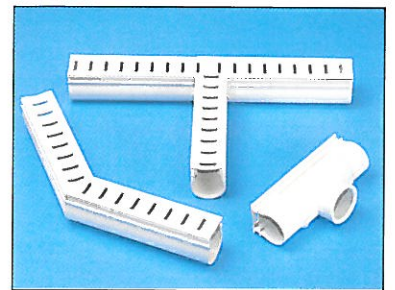
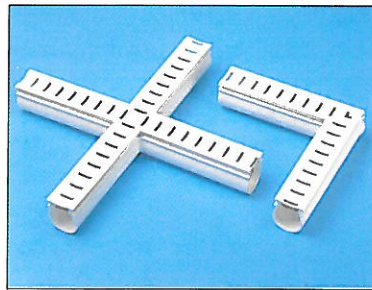
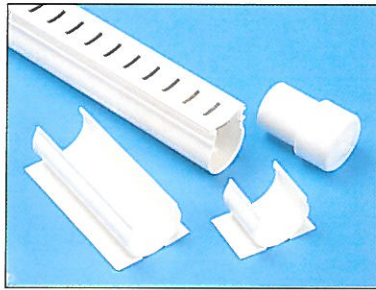




EASY DRAIN PLUS



www.plasticapools.com

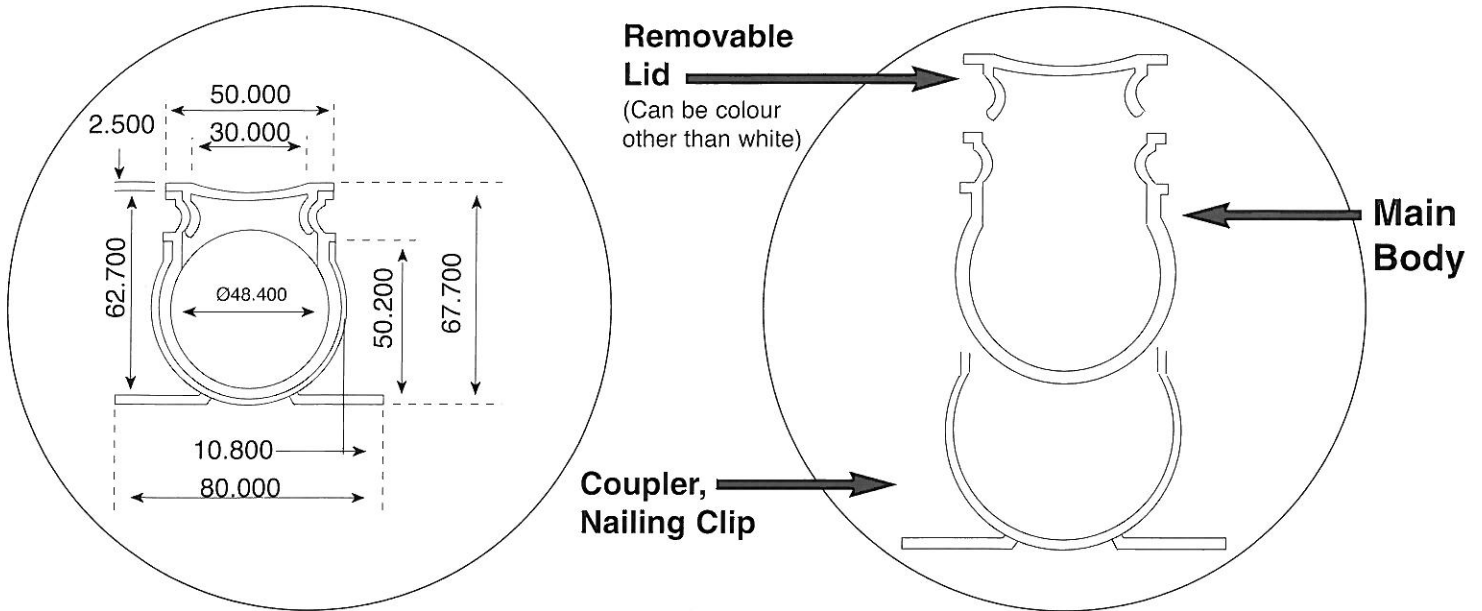


- ✓ **ACCEPTS 1.5" OR 50mm PIPEWORK**
- ✓ **MADE FROM RIGID PVC**
- ✓ **REMOVABLE TOP SECTION FOR EASY ACCESS AND CLEANING**
- ✓ **HEIGHT - 67.7MM TO MATCH MOST LEVELS OF COPING & PAVING**
- ✓ **LID AVAILABLE IN WHITE & BUFF**

Your Local Stockist:

Plastica

TECHNICAL DATA



Easy Drain Plus is an effective way of draining excess water from around swimming pools, spas and shower areas. It's modular sections make it relatively easy to install and with it's removable lid cleaning is a simple task. Manufactured in white PVC as standard, the lid section can also be supplied in a buff colour (ex-stock). Other colours can be manufactured to customers requirements but a minimum run would be 300 x 3m lengths.

PARTS AVAILABLE

PED100	Easy Drain Plus	3m Lengths
PED105	Easy Drain Plus	Couplers
PED110	Easy Drain Plus	End Caps
PED115	Easy Drain Plus	135° Angle
PED120	Easy Drain Plus	90° Angle
PED125	Easy Drain Plus	Tee Piece
PED130	Easy Drain Plus	Cross Piece
PED135	Easy Drain Plus	Down Spout
PED145	Easy Drain Plus	Nailing Clip (3 per 3m length recommended)

Please Note: Plastica Easy Drain is not designed for use as an overflow channel on deck level pools.

