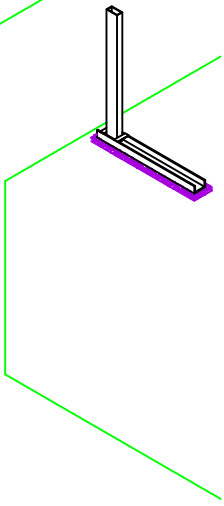
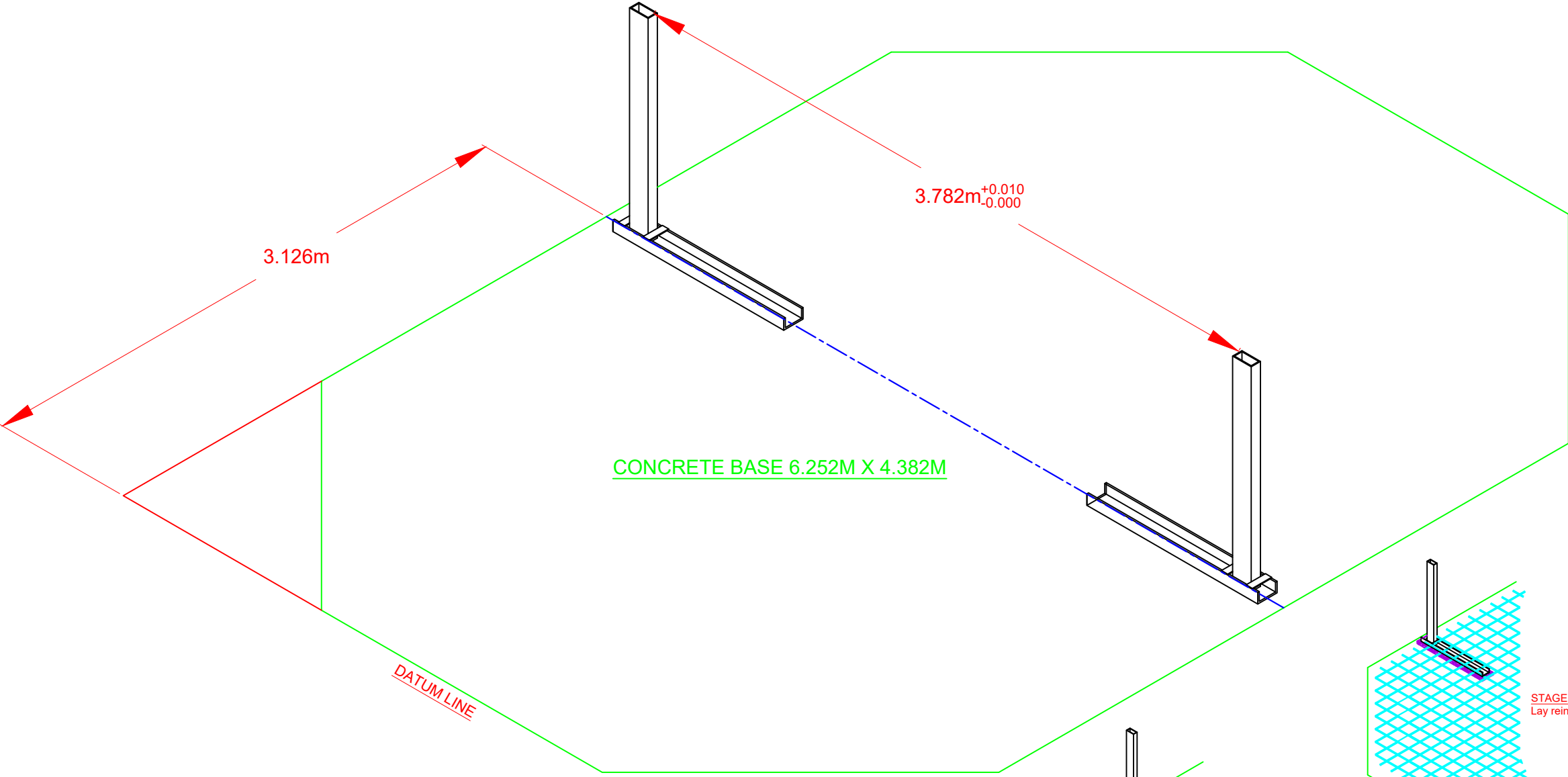
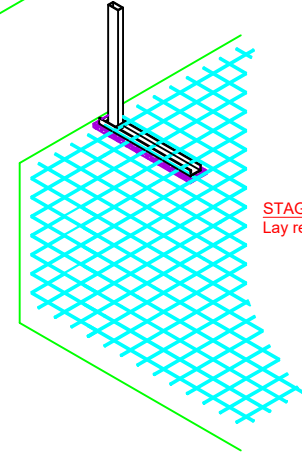


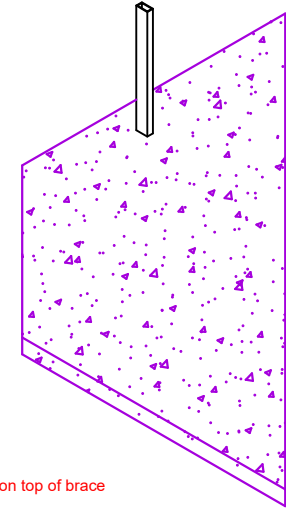
BASE LAYOUT DETAILS FOR BELGRAVIA WOODEN POOL  
 ISSUE 2 - SW 9/3/17  
 PLEASE REFER TO MAIN INSTRUCTIONS FOR STRUCTURE ASSEMBLY



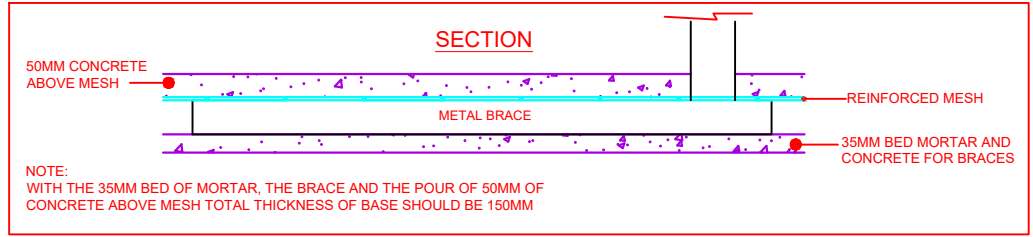
**STAGE 1**  
 When happy with brace location(s)  
 Set braces on approx 35mm bed of mortar  
 and concrete around brace(s)  
 before the main pour of cement.



**STAGE 2**  
 Lay reinforced mesh on top of brace



**STAGE 3**  
 When mesh is in position pour  
 concrete into excavation to cover  
 mesh by 50mm minimum.



**NOTE:**  
 WITH THE 35MM BED OF MORTAR, THE BRACE AND THE POUR OF 50MM OF  
 CONCRETE ABOVE MESH TOTAL THICKNESS OF BASE SHOULD BE 150MM