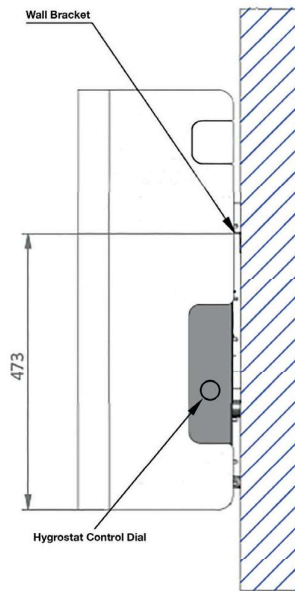


DH35AX/E Electric Air Heating Data Sheet

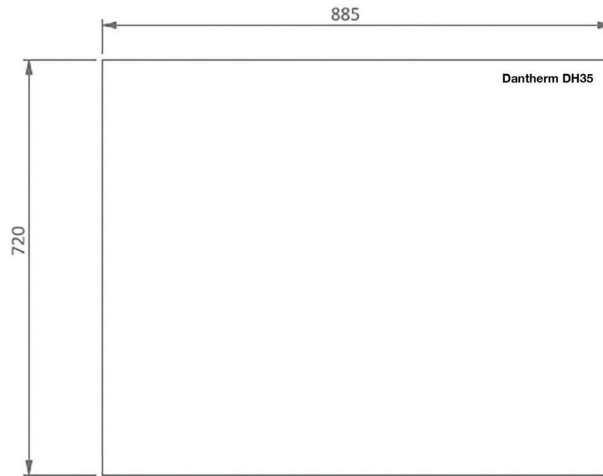
DH35 Wall mounted

Weight of unit: 50kg

Dimension when packed in mm: 986W x 366D x 920H

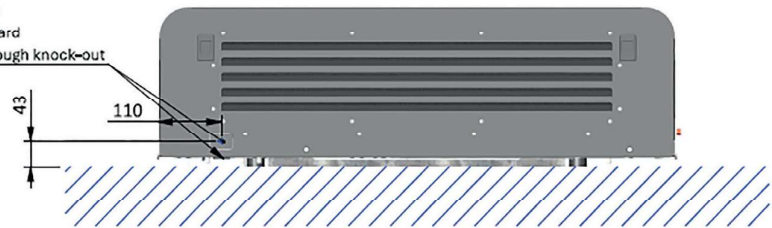


End View

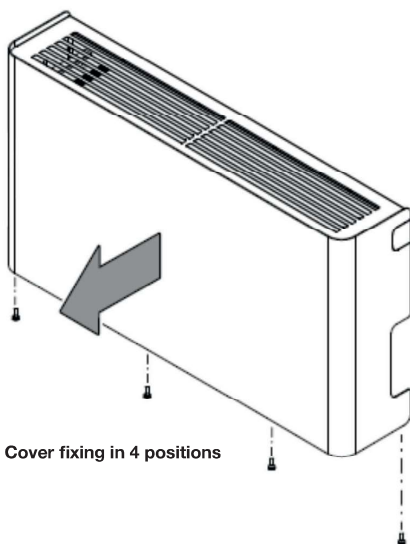


Front View

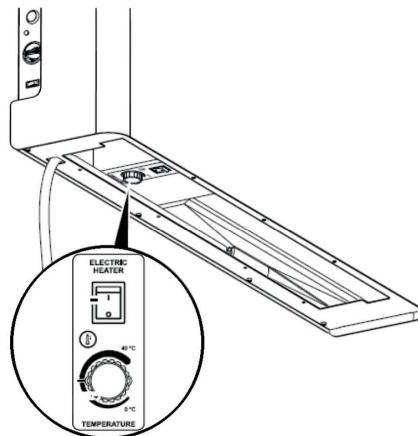
Hoses output (x2):
From back - standard
From bottom - through knock-out



Underside View



Cover fixing in 4 positions



Inbuilt Electric Air Heater Thermomstat

DH35AX/Electric Specifications

Main Fan / Re-circulating	Model DH35AX/E
Re-circulating air flow - nominal (m ³ /hr)	500
Dehumidification Duty (l/hr) @ 30°C/60% RH	
By heat pump	1.22
<hr/>	
Heat To Air (kW)	
Via Heat Pump	2
Via LPHW @ 82°	N/A
Via Integral Electric Air Heater	2
Maximum Available Heat to Air	4
<hr/>	
Electrical & Sound Data	
Nominal Power Consumed (kW) @ 30°C/60% RH	2,876
Nominal Running current (Amp) I _{ph}	12.7
Fuse Required (Amp) I _{ph}	20
Noise Level @ 1m (dBA)*	48
<hr/>	
Plumbing Requirements (where fitted)	
LPHW (Boiler) Connections (mm)	N/A
LPHW (Boiler) Flow Rate (L/min)	N/A
Condensate drain (")	16
<hr/>	
Recommended Boiler output (kW)*	N/A
*only applicable with LPHW air heater option	
Refrigerant charge	R-454C (500 g)

LPHW = Low Pressure Hot Water