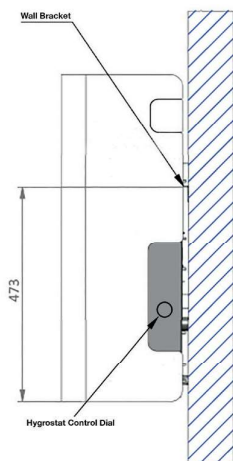


DH65AX/E Electric Air Heating Data Sheet

DH65 Wall mounted

Weight of unit: 78kg

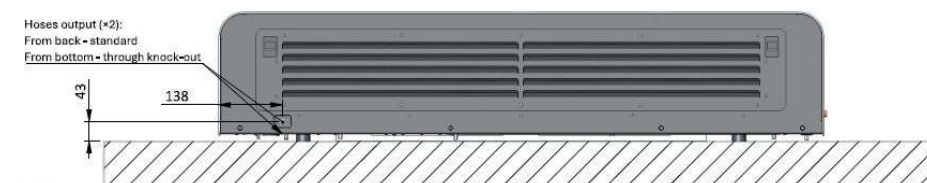
Dimension when packed in mm: 1406W x 366D x 920H



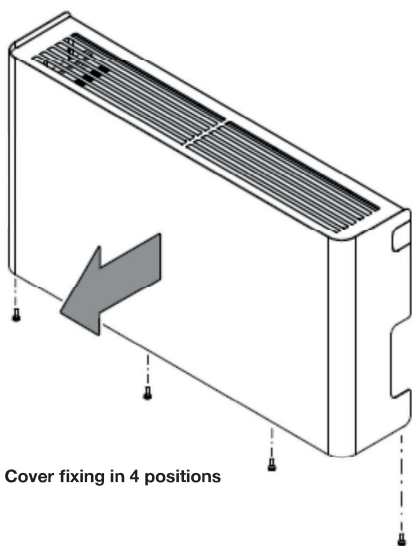
End View



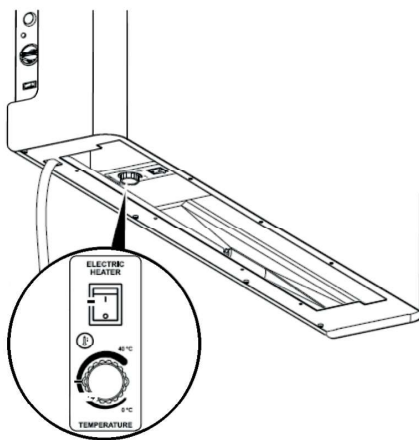
Front View



Underside View



Cover fixing in 4 positions



Inbuilt Electric Air Heater Thermomstat

DH65AX/E Electric Specifications

Main Fan / Re-circulating	Model DH65AX/E
Re-circulating air flow - nominal (m ³ /hr)	800
Dehumidification Duty (l/hr) @ 30°C/60% RH	
By heat pump	2
<hr/>	
Heat To Air (kW)	
Via Heat Pump	3.3
Via LPHW @ 82°	N/A
Via Integral Electric Air Heater	3.5
Maximum Available Heat to Air	6.9
<hr/>	
Electrical & Sound Data	
Nominal Power Consumed (kW) @ 30°C/60% RH	4.58
Nominal Running current (Amp) I _{ph}	20.1
Fuse Required (Amp) I _{ph}	30
Noise Level @ 1m (dBA)*	48
<hr/>	
Plumbing Requirements (where fitted)	
LPHW (Boiler) Connections (mm)	N/A
LPHW (Boiler) Flow Rate (L/min)	N/A
Condensate drain (")	16
<hr/>	
Recommended Boiler output (kW)*	N/A
*only applicable with LPHW air heater option	
Refrigerant charge	R-454C (800 g)

LPHW = Low Pressure Hot Water