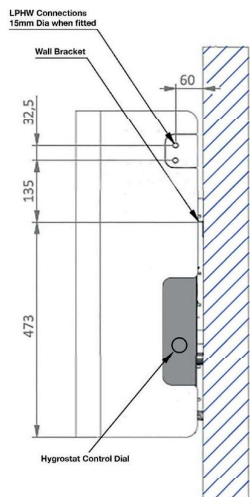


DH65AX/LPHW Air Heating Data Sheet

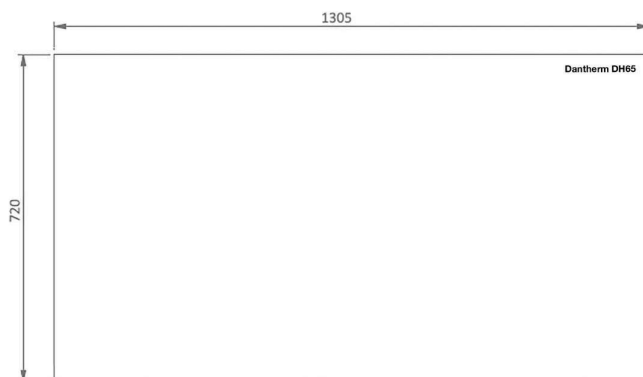
DH65 Wall mounted

Weight of unit: 76kg

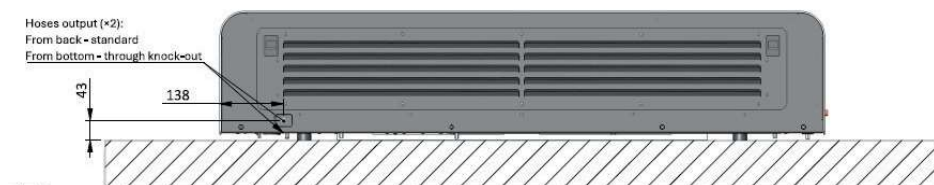
Dimension when packed in mm: 1406W x 366D x 920H



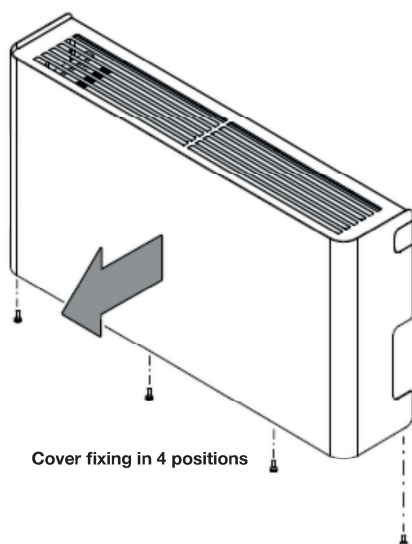
End View



Front View



Underside View



DH65AX/LPHW Specifications

Main Fan / Re-circulating	Model DH65AX/LPHW
Re-circulating air flow - nominal (m ³ /hr)	800
Dehumidification Duty (l/hr) @ 30°C/60% RH	
By heat pump	2
<hr/>	
Heat To Air (kW)	
Via Heat Pump	3.3
Via LPHW @ 82°	7.5
Via Integral Electric Air Heater	N/A
Maximum Available Heat to Air	9.8
<hr/>	
Electrical & Sound Data	
Nominal Power Consumed (kW) @ 30°C/60% RH	1.08
Nominal Running current (Amp) I _{ph}	4.9
Fuse Required (Amp) I _{ph}	13
Noise Level @ 1m (dBA)*	54
<hr/>	
Plumbing Requirements (where fitted)	
LPHW (Boiler) Connections (mm)	15 Stub
LPHW (Boiler) Flow Rate (L/min)	11.7
Condensate drain (")	1/6
<hr/>	
Recommended Boiler output (kW)*	7.5
*only applicable with LPHW air heater option	
Refrigerant charge	R-454C (800 g)

LPHW = Low Pressure Hot Water