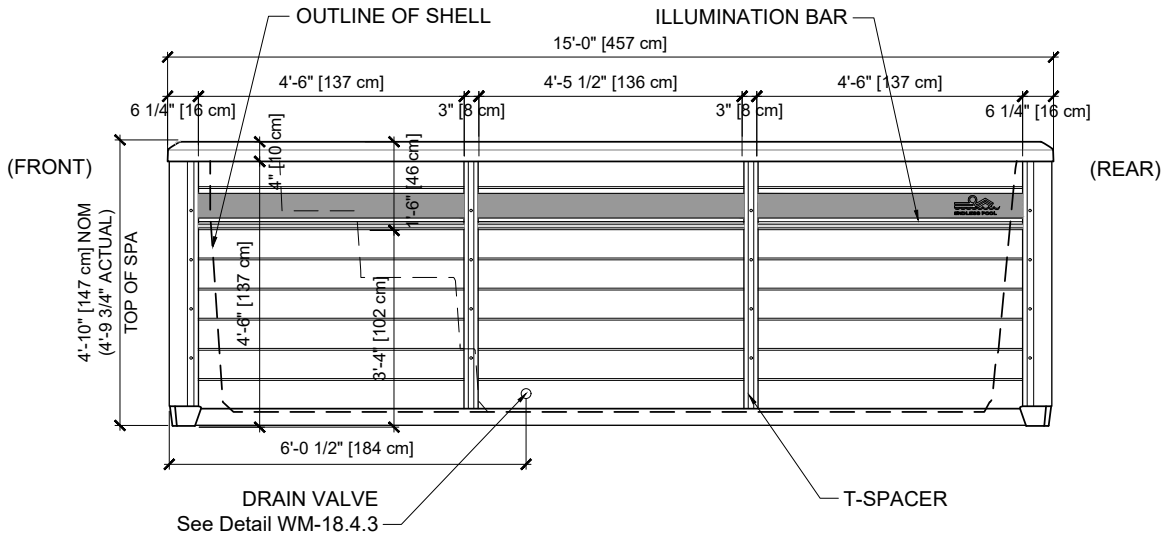


NOTE: 2'-0" [60 cm] ACCESS AROUND PERIMETER RECOMMENDED FOR SERVICE

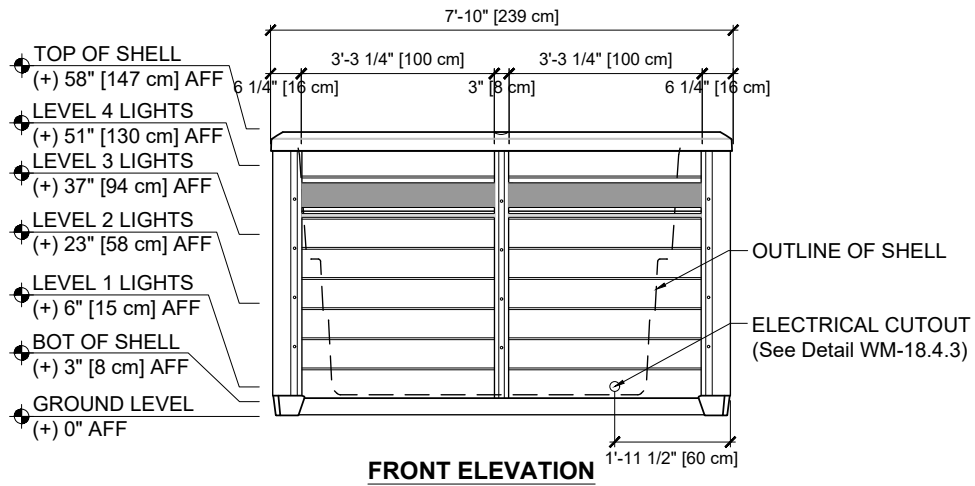


E550 (58" Tall)
Endless Pools® Fitness System
General Information
AQUATIC FITNESS SYSTEMS DETAILS

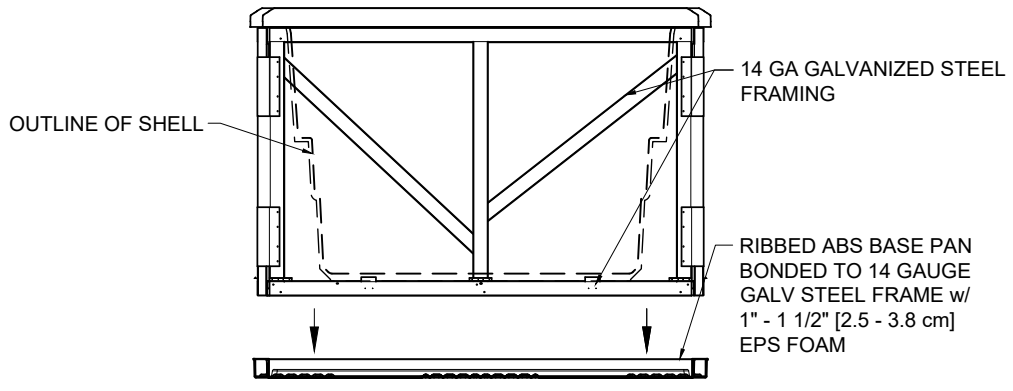
DETAIL NUMBER:
WM-18.0.10
REV: 2019/01/09



LEFT ELEVATION



FRONT ELEVATION



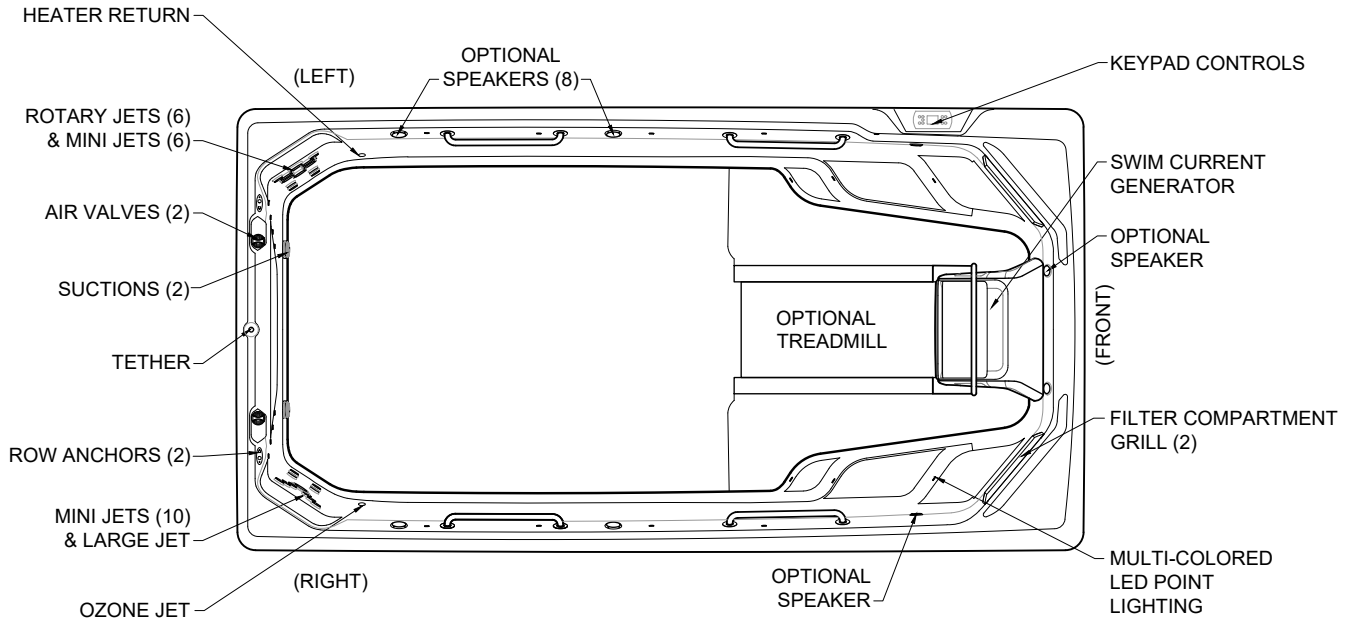
REAR SECTION

NOTE: 2'-0" [60 cm] ACCESS AROUND PERIMETER RECOMMENDED FOR SERVICE

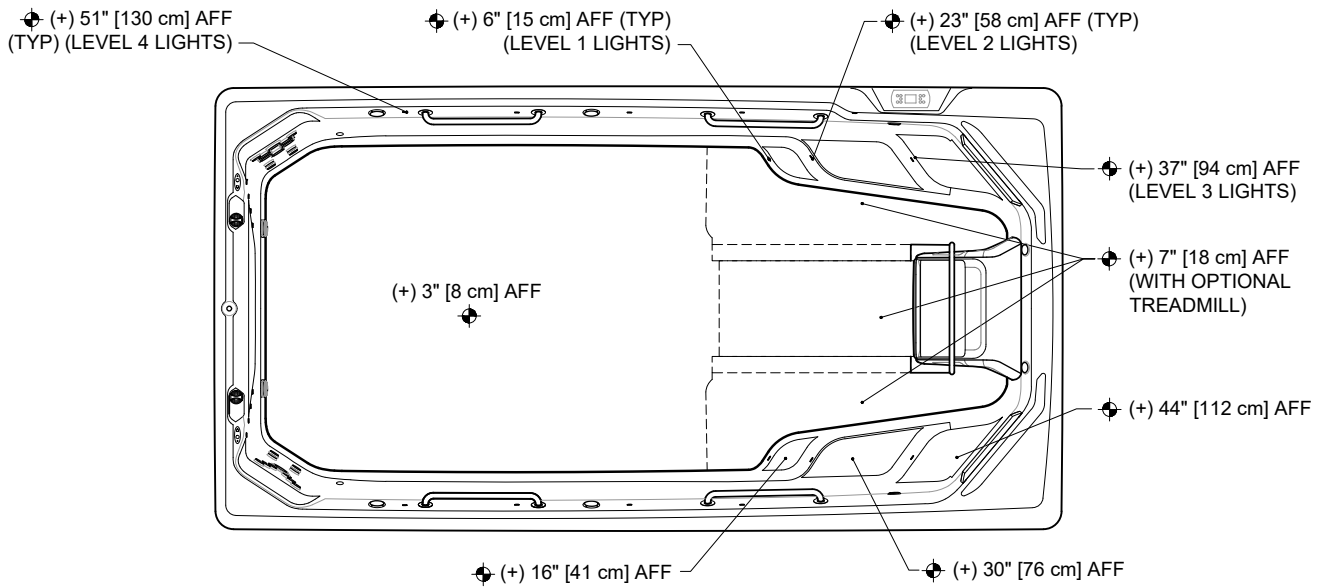


E550 (58" Tall)
Endless Pools® Fitness System
Elevations and Sections
AQUATIC FITNESS SYSTEMS DETAILS

DETAIL NUMBER:
WM-18.1.10
DATE: 2018/11/20



SYSTEM PARTS



SPOT ELEVATIONS



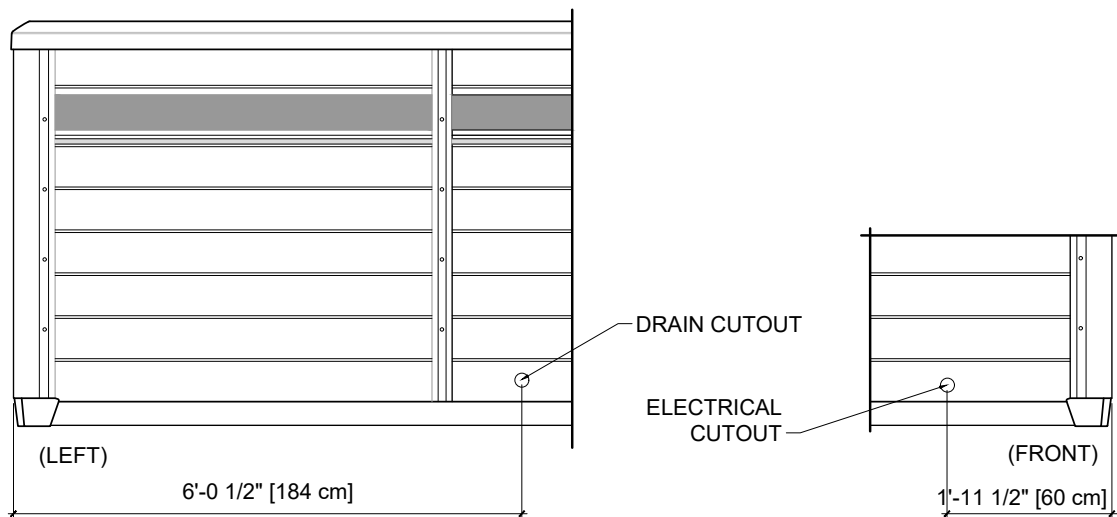
E550 (58" Tall)
Endless Pools® Fitness System
Egress Details with Spot Elevations

AQUATIC FITNESS SYSTEMS DETAILS

DETAIL NUMBER:

WM-18.2.6

DATE: 2018/10/12



POOL CUT-OUTS

Stub-up Directions (Use a 2" [5 cm] Hole Saw)

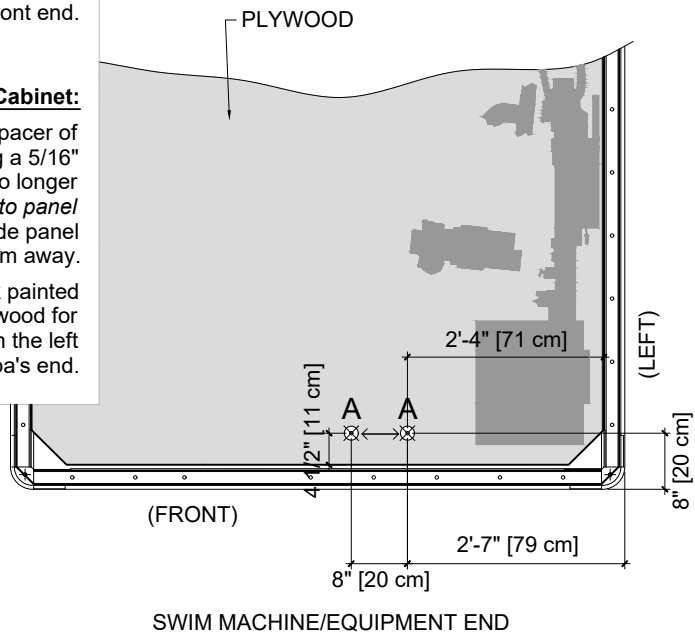
Dimensions from Outside of Skirting:

Part 1: (See Stub-up Detail). The stub-up will be located in the equipment end (front) under the swim machine. The center line for Stub-up 'A' can be measured 8" [20 cm] from the skirting exterior on the front end of the Aquatic Fitness System (AFS) and 31-39" [79-87 cm] from the skirting exterior on the right looking at Spa's front end.

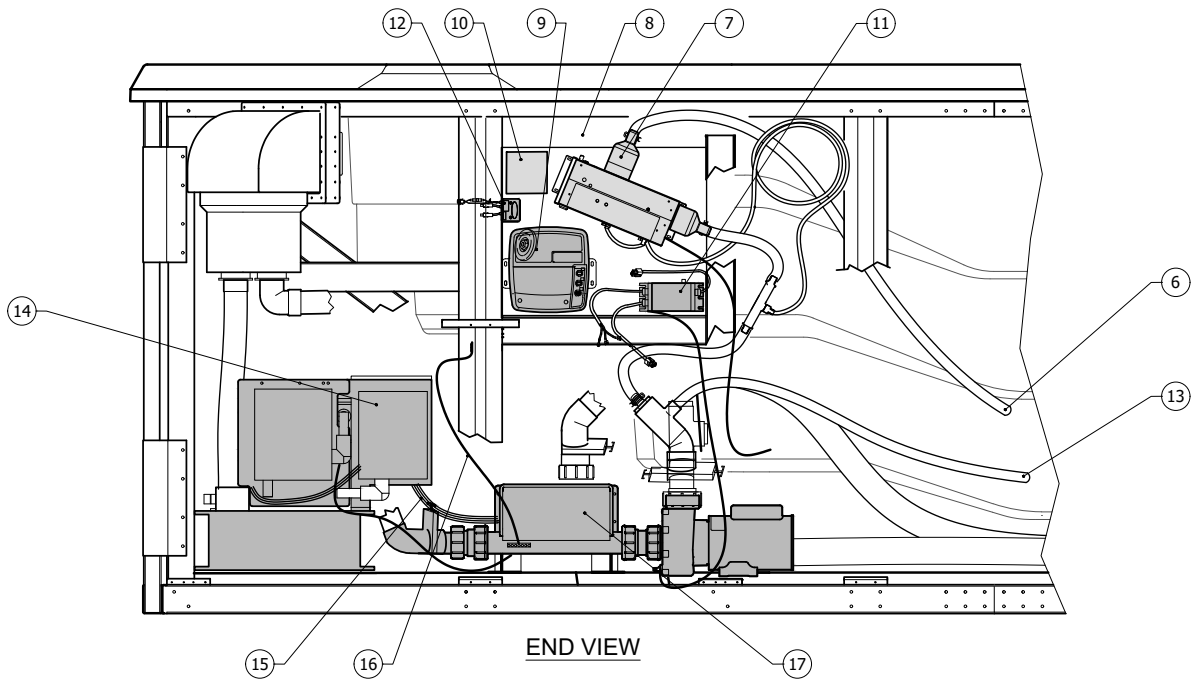
Dimensions from Inside of Cabinet:

Part 2: When the AFS arrives: Remove the vertical T-spacer of the front skirting by removing the four screws using a 5/16" socket. Slide panel towards center until panel is no longer behind corner. *Disconnect the wiring harness attached to panel before pulling out panel.* While holding panel, first slide panel up, then pull bottom away.

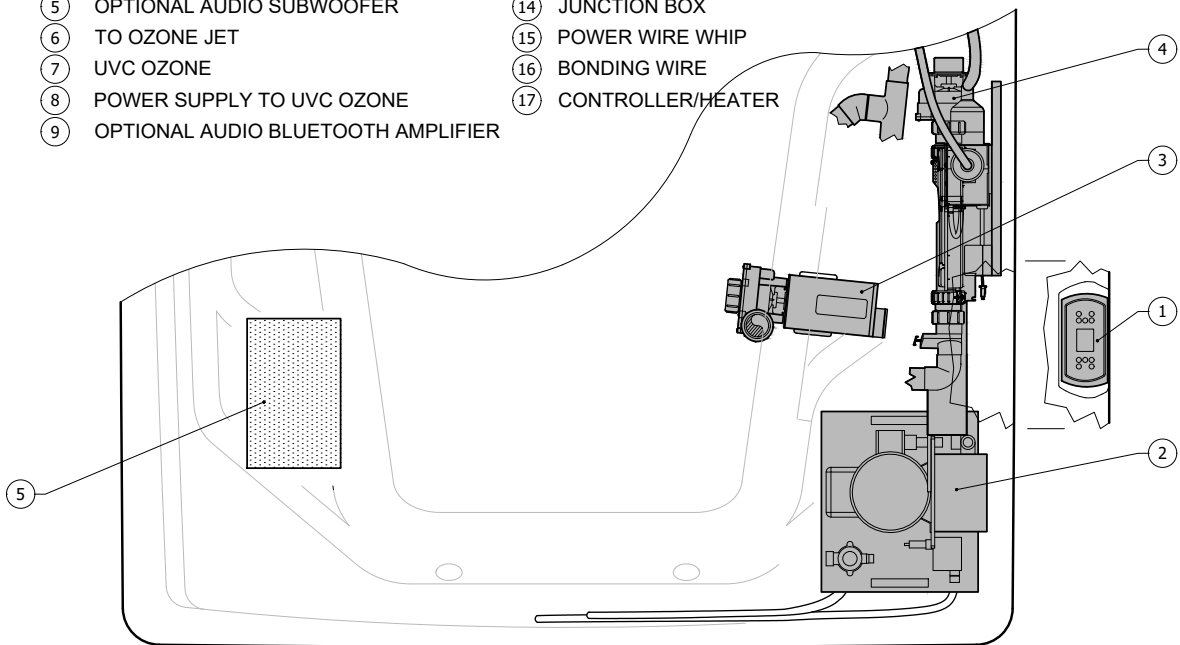
Once inside the AFS skirted cabinet, locate the black painted plywood base and measure from the edges of the plywood for the centerline: for Stub-up 'A': 28-36" [71-91 cm] from the left side and 4 1/2" [57-78 cm] from the Spa's end.

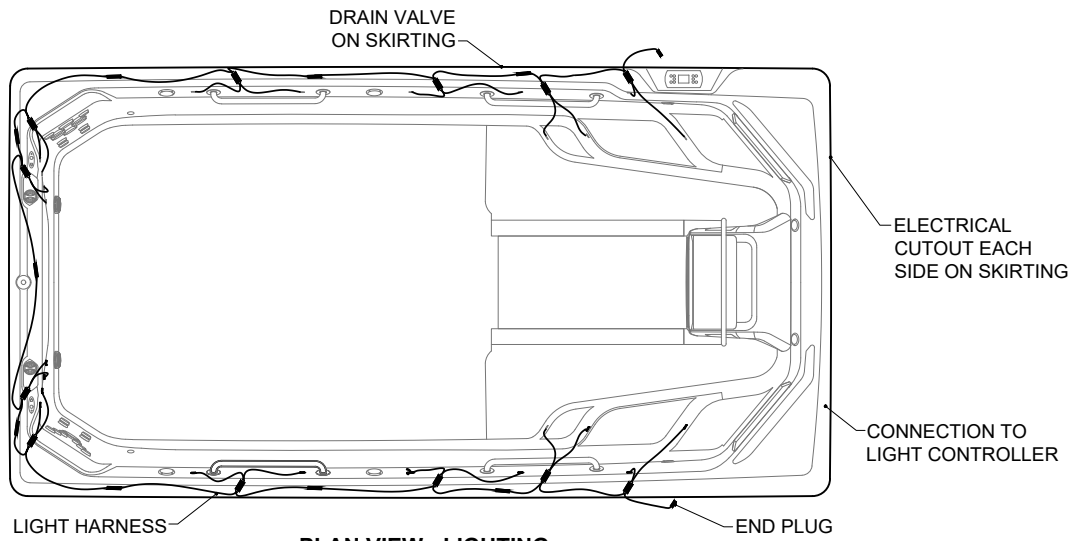


STUB-UP DETAIL
(LOOKING DOWN)

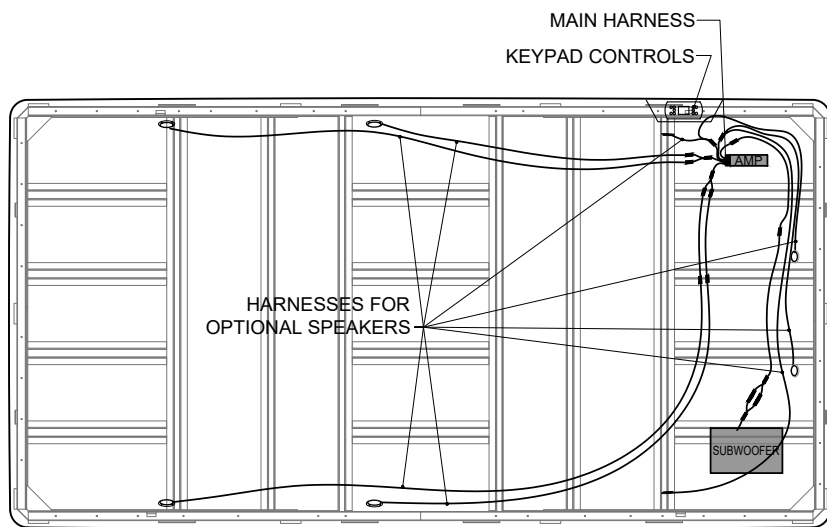


- | | |
|--|---|
| ① KEYPAD CONTROLS | ⑩ CHILLER INTERFACE UNIT |
| ② HYDRAULIC POWER UNIT
(IF TREADMILL, TANDEM HPU) | ⑪ DUAL OUTPUT POWER SUPPLY
FOR EXTERNAL LIGHTS |
| ③ HYDROMASSAGE JETS PUMP | ⑫ LIGHT CONTROLLER |
| ④ CIRCULATION PUMP | ⑬ TO HEATER RETURN |
| ⑤ OPTIONAL AUDIO SUBWOOFER | ⑭ JUNCTION BOX |
| ⑥ TO OZONE JET | ⑮ POWER WIRE WHIP |
| ⑦ UVC OZONE | ⑯ BONDING WIRE |
| ⑧ POWER SUPPLY TO UVC OZONE | ⑰ CONTROLLER/HEATER |
| ⑨ OPTIONAL AUDIO BLUETOOTH AMPLIFIER | |





PLAN VIEW - LIGHTING



PLAN VIEW - COMPONENTS