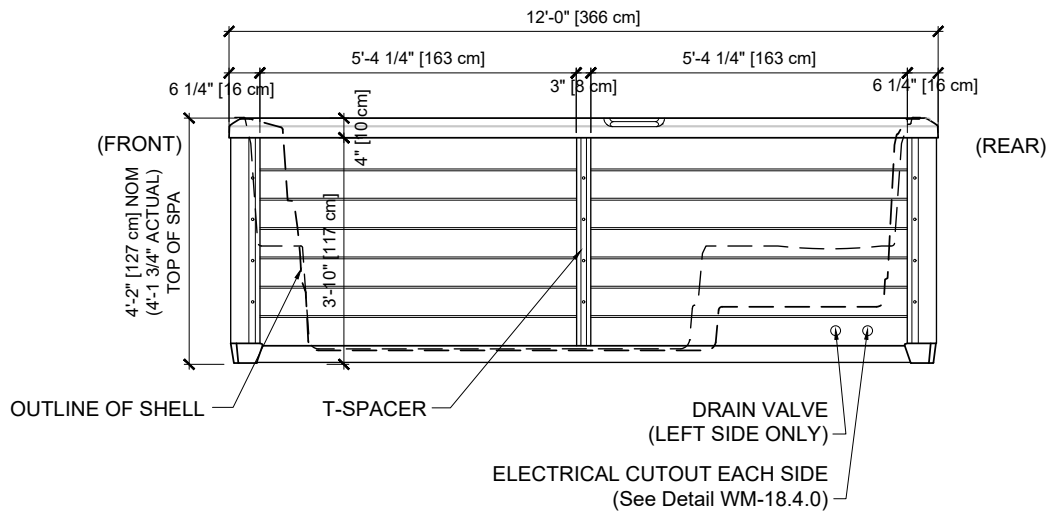


**NOTE:** 2'-0" [60 cm] ACCESS AROUND PERIMETER RECOMMENDED FOR SERVICE

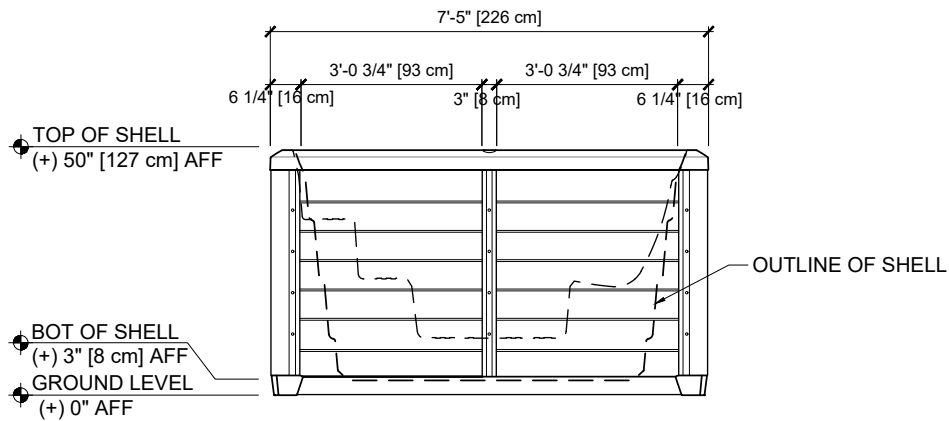


**R200**  
**RecSport™ Recreation System**  
**General Information**  
AQUATIC FITNESS SYSTEMS DETAILS

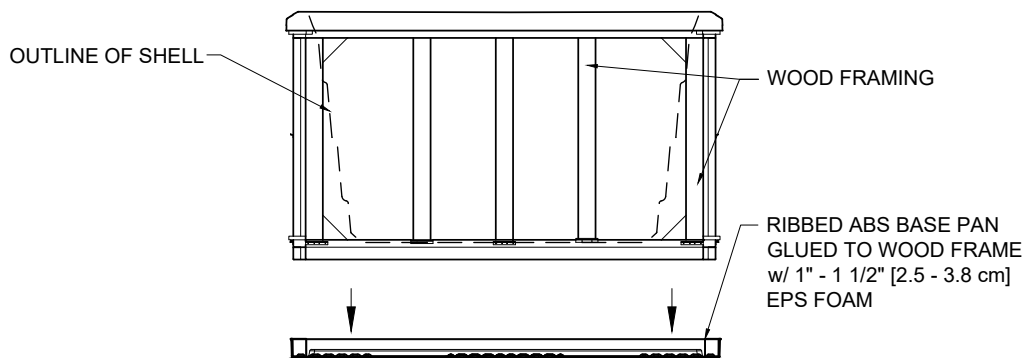
DETAIL NUMBER:  
**WM-18.0.1**  
REV: 2019/01/18



**LEFT ELEVATION**



**FRONT ELEVATION**

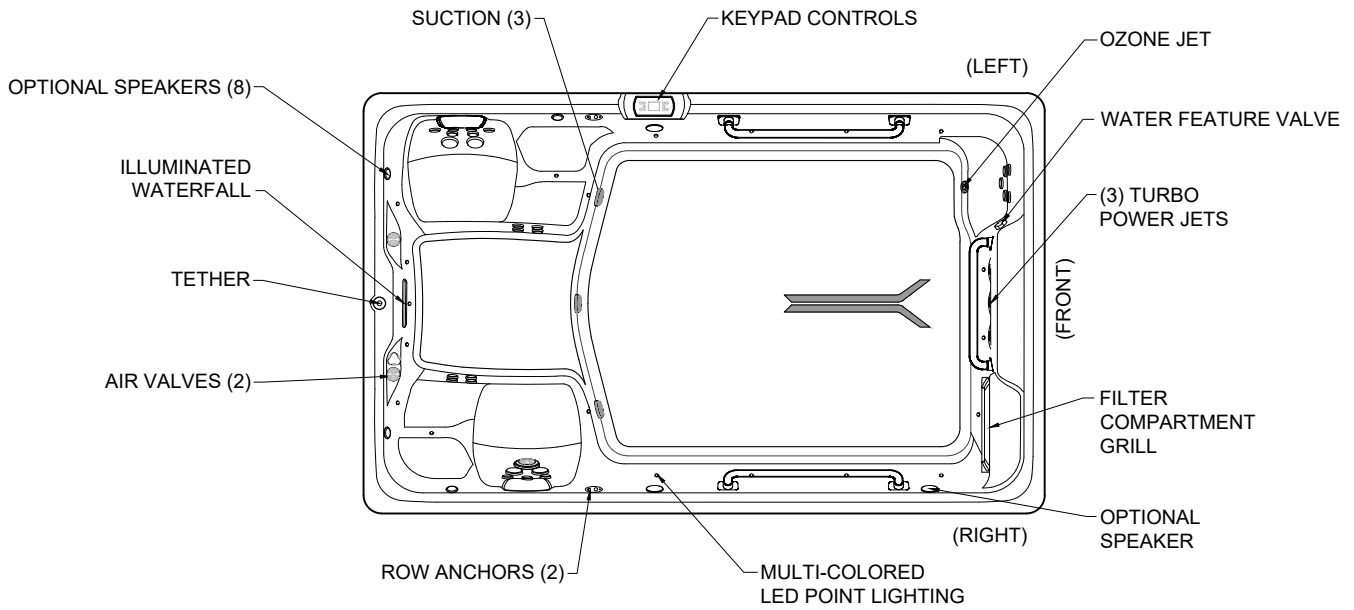


**NOTE:** 2'-0" [60 cm] ACCESS  
AROUND PERIMETER  
RECOMMENDED FOR SERVICE

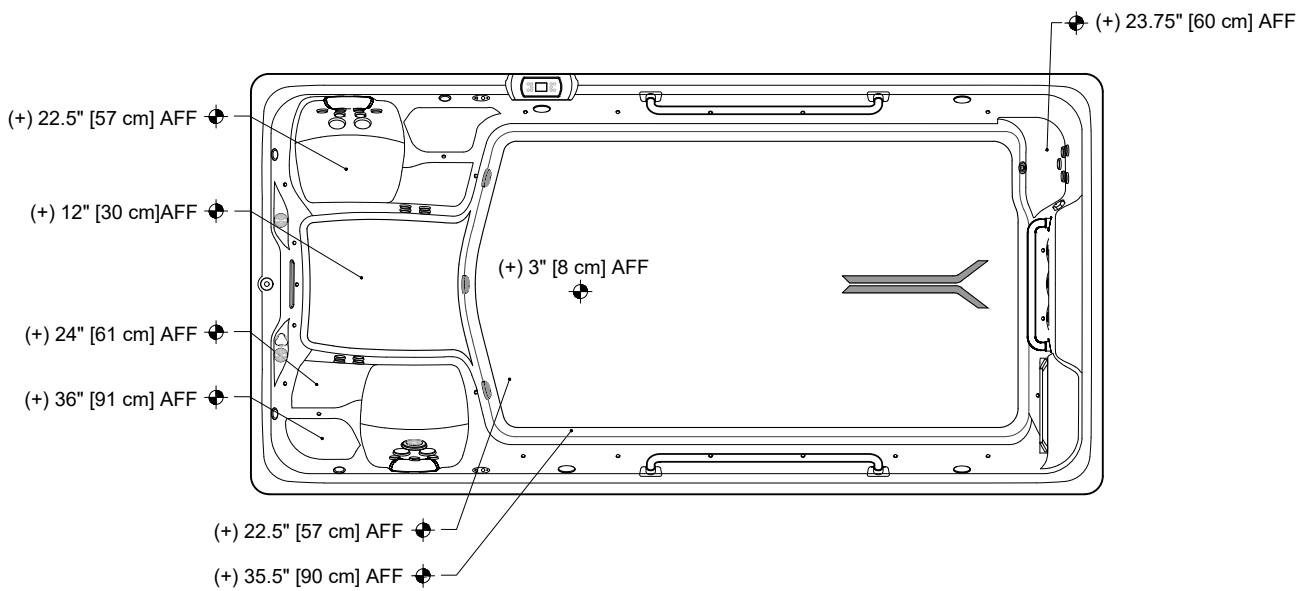
DETAIL NUMBER:

**WM-18.1.1**

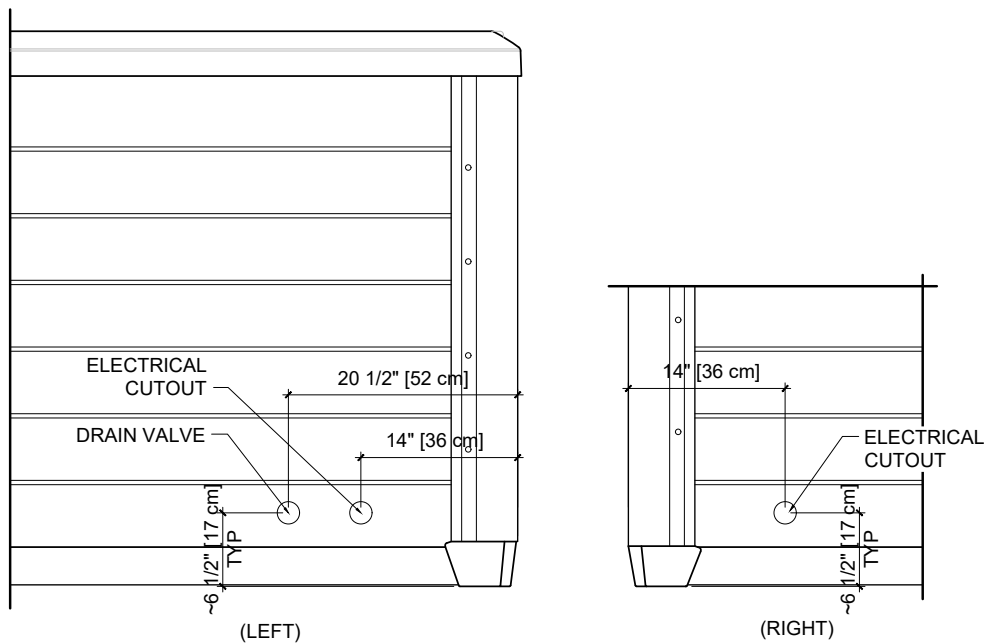
REV: 2019/01/21



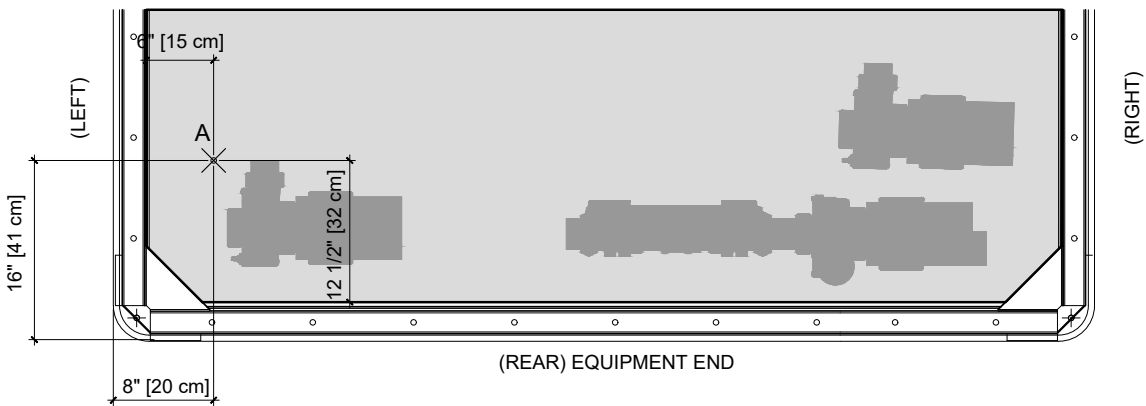
**SYSTEM PARTS (R200 SHOWN)**



**SPOT ELEVATIONS (R500 SHOWN)**



**POOL CUT-OUTS**



**STUB-UP DETAIL (LOOKING DOWN)**

**Stub-up Directions** (Use a 2\"/>

**Dimensions from Outside of Skirting:**

**Part 1:** (See Stub-up Detail). The stub-up will be located in the equipment end (rear) under the jetted seats. The center line for Stub-up 'A' can be measured at 8\"/>

**Dimensions from Inside of Cabinet:**

**Part 2:** When the AFS arrives: Remove the vertical T-spacer of the rear skirting by removing the four screws using a 5/16\"/>

Once inside the AFS skirted cabinet, locate the black painted plywood base and measure from the edges of the plywood for the centerline: for Stub-up 'A': 6\"/>



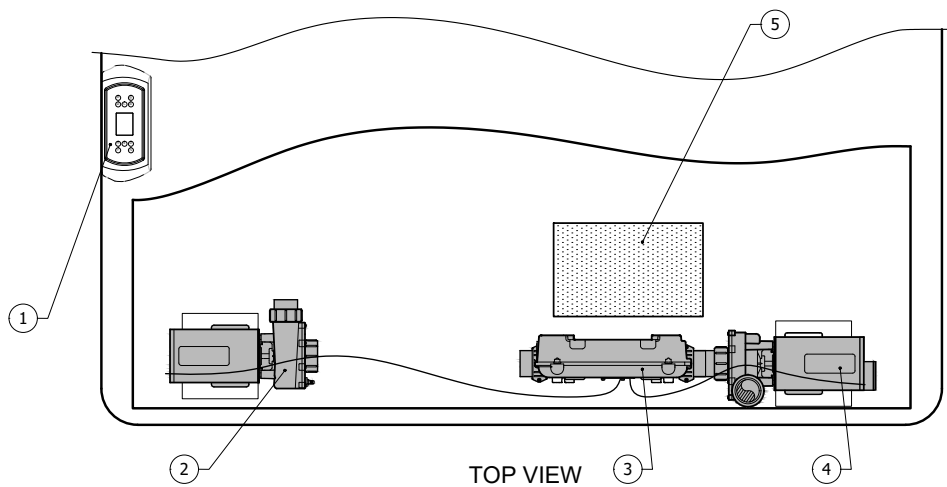
**Electrical Supply Location Options  
For X200, X500, R120/R200 & R500**

AQUATIC FITNESS SYSTEMS DETAILS

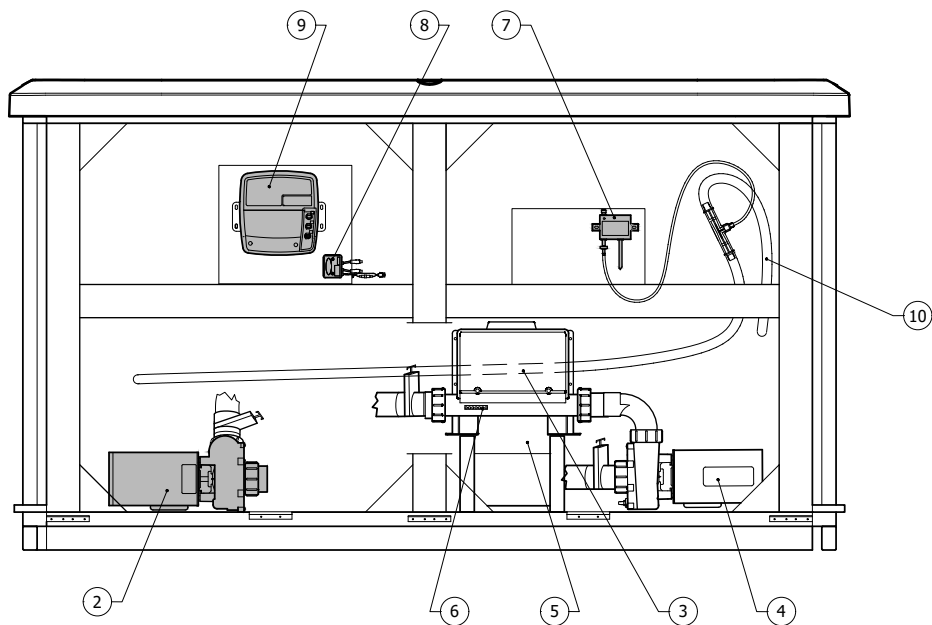
DETAIL NUMBER:

**WM-18.4.0**

REV: 2019/01/15



TOP VIEW



FRONT VIEW

- ① KEYPAD CONTROLS
- ② SWIM JETS PUMP
- ③ CONTROLLER/HEATER
- ④ NYDROMASSAGE JETS & FILTER PUMP
- ⑤ OPTIONAL AUDIO SUBWOOFER
- ⑥ BONDING TERMINAL
- ⑦ CD OZONE UNIT
- ⑧ LIGHT CONTROLLER
- ⑨ OPTIONAL AUDIO BLUETOOTH AMPLIFIER
- ⑩ TO OZONE JET