

# ENDLESS POOLS FASTLANE®

SWIMMING MACHINE

Turn Any Pool Into An Endless Pool



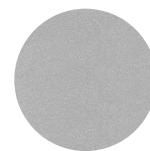
The Fastlane swimming machine produces a smooth, quiet, powerful current that's perfect for any backyard pool and it's adjustable from zero to 1:14/100m. Now you can turn any pool into an Endless Pool!

- Highest Quality Swim Current
- Fun for the Entire Family
- Simple to Use, Economical to Run
- Low Impact Exercise
- New Construction or Existing Pools
- Deck or Wall Mount Options

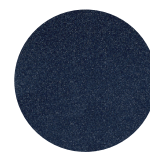
For fitness or fun, the Fastlane swimming machine adds a whole new dimension to your pool. The Fastlane system has two parts: a remotely located Hydraulic Power Unit that powers the swim current and the Swim Unit that mounts to the pool. The current is controlled by a remote control.

## Fastlane® Specifications:

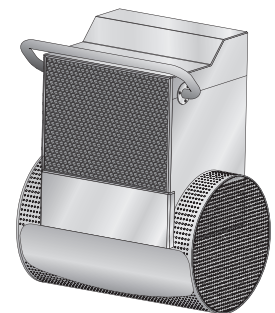
- 99cm water depth required
- VGB 2008 Compliant
- 5-HP swim current generator
- Acrylic and 316L stainless steel construction
- Available in platinum or sapphire
- 220-volt, 32-amp RCD power required



Platinum

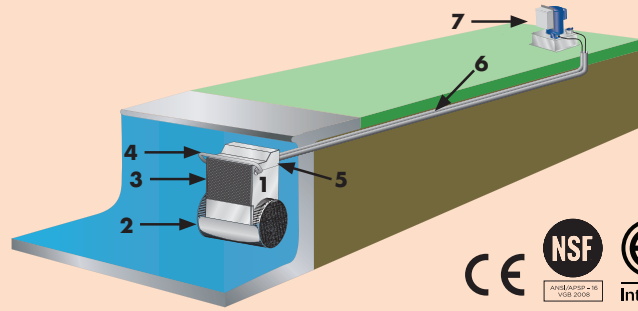


Sapphire

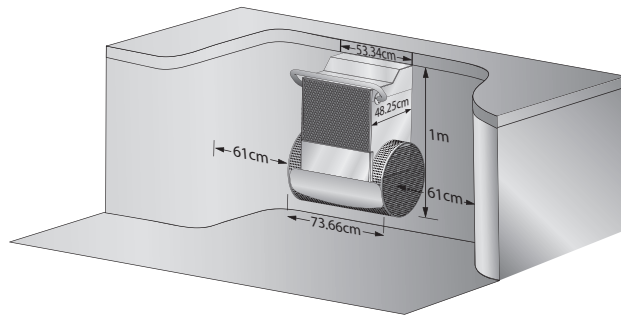
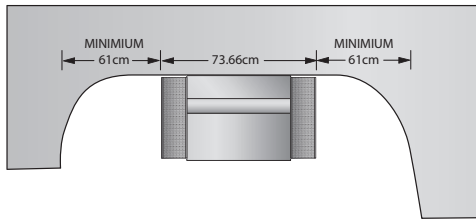


## WALL MOUNT FASTLANE SYSTEM (Also available as Deck Mount for existing pools.)

1. Swim Unit
2. Intake Grill
3. Outlet Grill
4. Stainless Steel Grab Bar
5. Wall Mount Bracket
6. Hydraulic Hose System
7. Power Unit



## MINIMUM CLEARANCE GUIDELINES



## INSTALLATION LOCATIONS

- Alternative desirable locations
- Unfavorable locations

**NOTE:** To ensure a turbulent-free swim current, it is key to position the Swim Unit away from surrounding walls, benches, stairs, etc. The installed Swim Unit should be at least 60cm from an adjacent wall or obstruction and at least 9 meters from an opposing wall or obstruction.

