

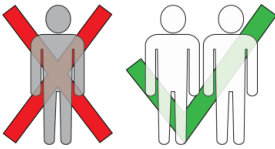
The HARVIA logo consists of the word "HARVIA" in a bold, white, sans-serif font, centered within a solid red square.

 Made in

## Urban sauna cabin - Installation instructions

Mini (URB1212FG and URW1212FG), Medium (URB1616FG and URW1616FG)





## Tools required



## Screws

SS = Stainless steel

Zn = Zink

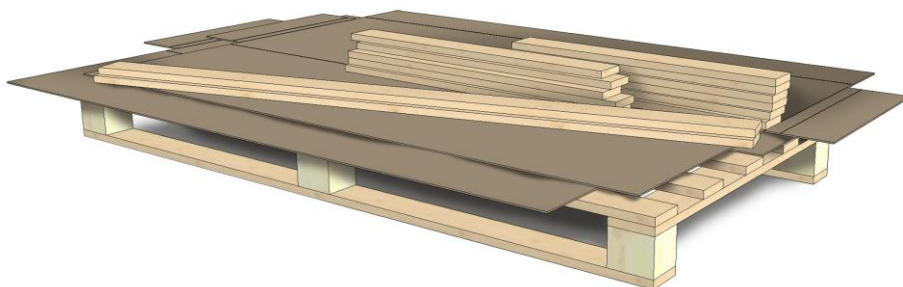
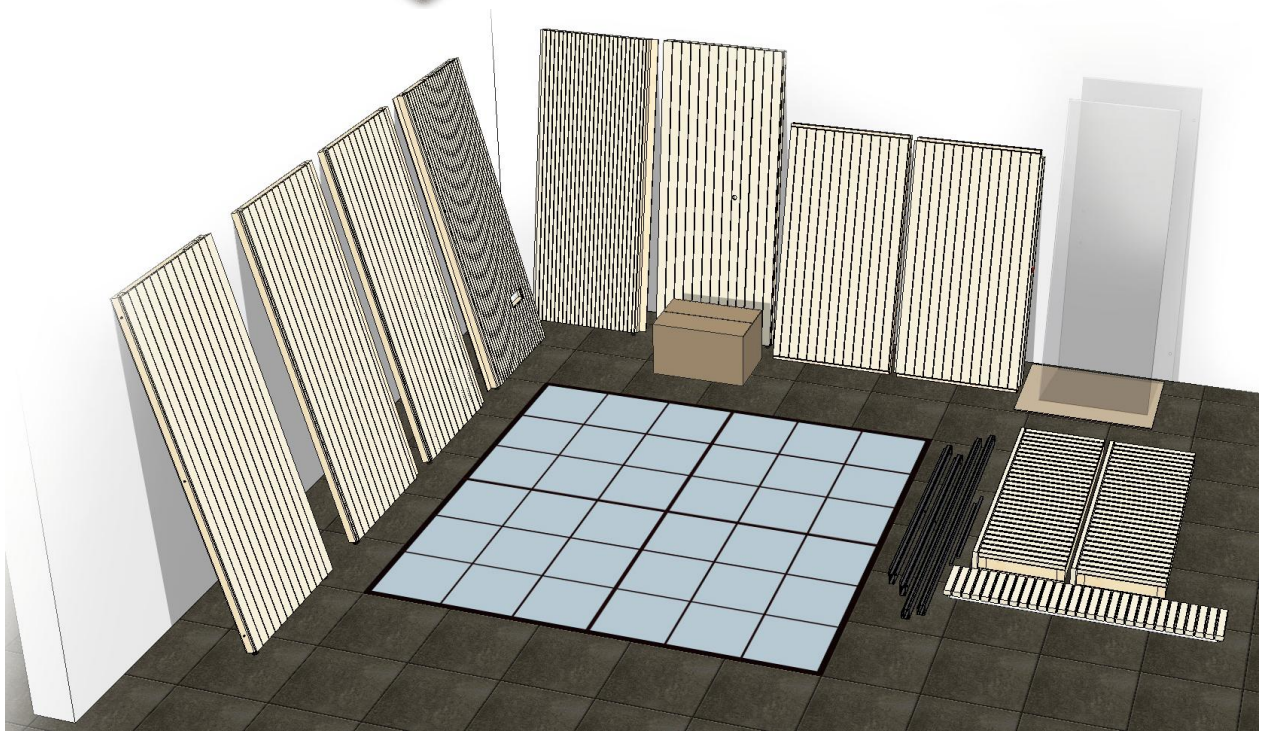
Ss X \* X mm

Zn X \* X mm

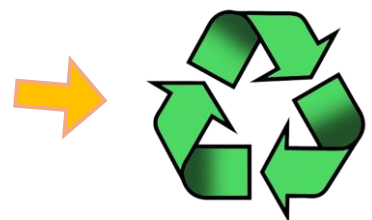




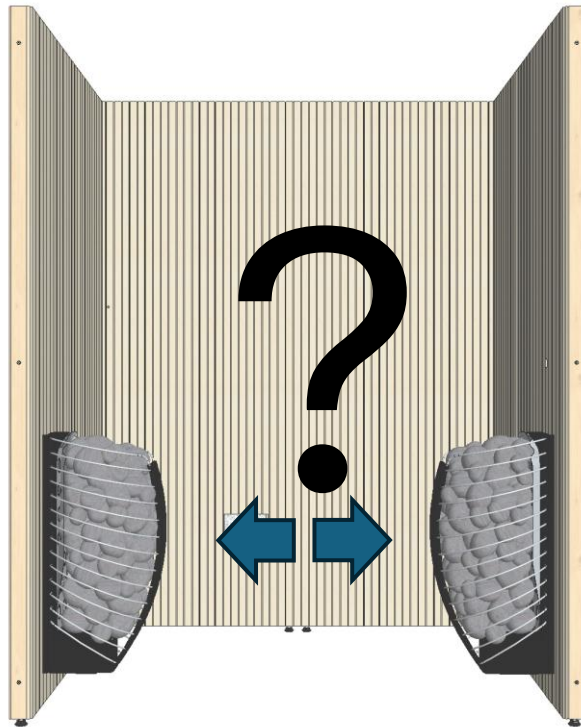
**UNPACK ALL**



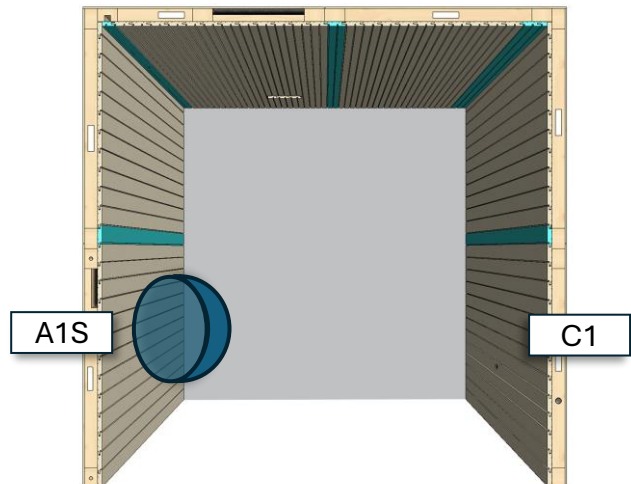
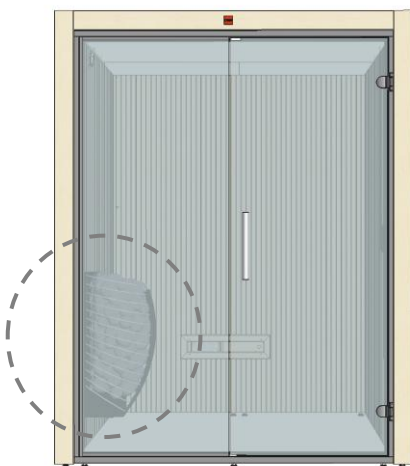
**RECYCLE**



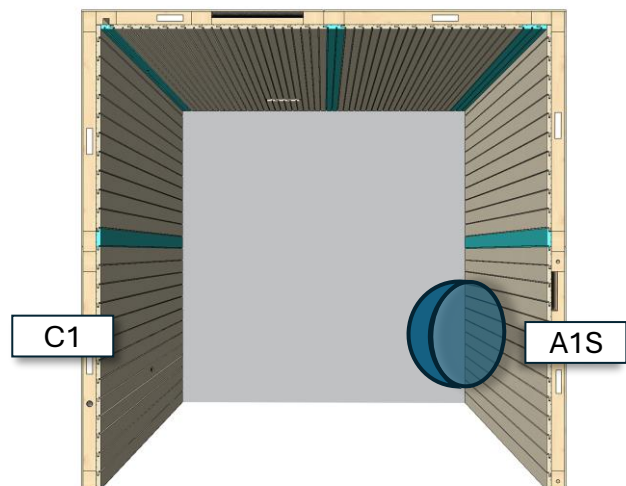
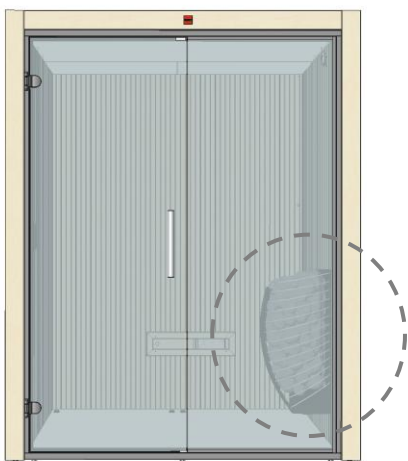
# CHOOSE HANDEDNESS



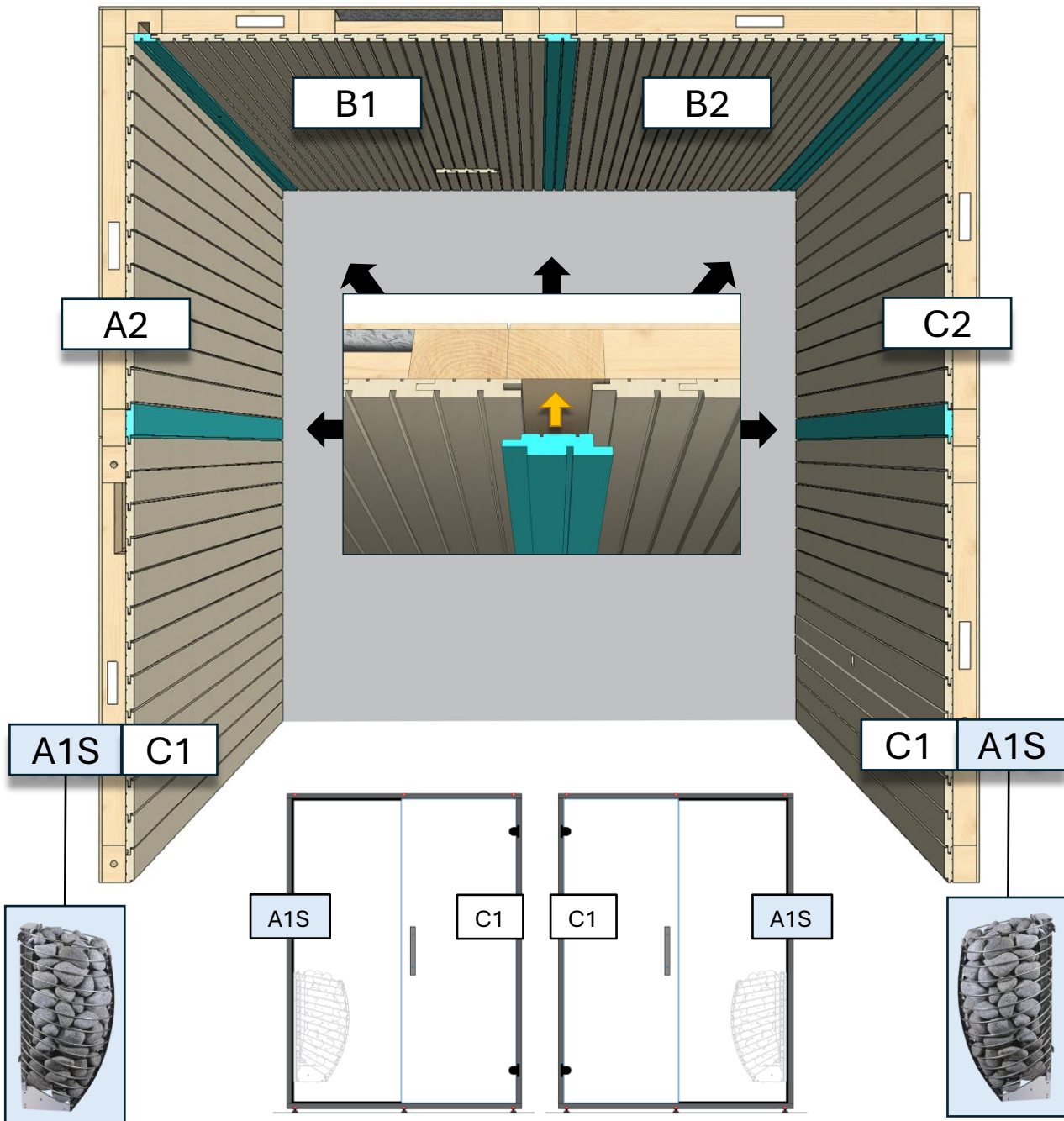
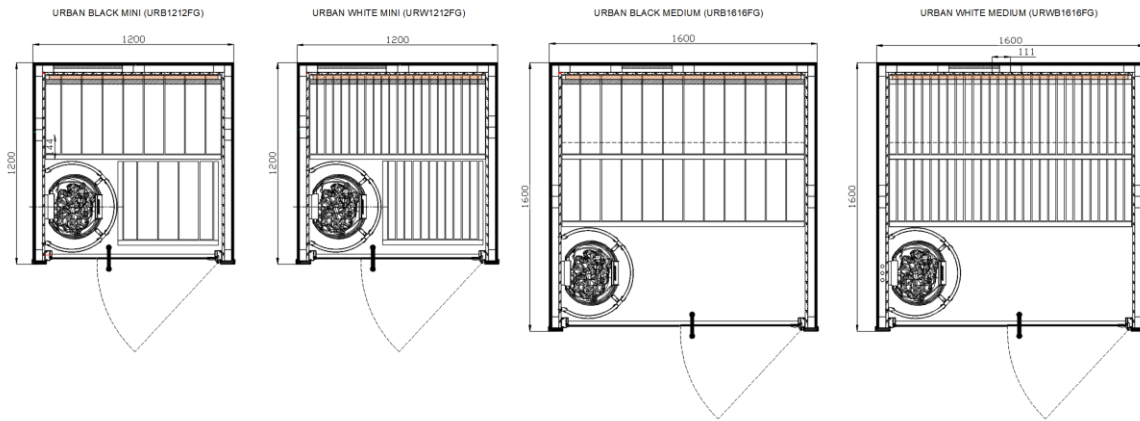
Right handed sauna



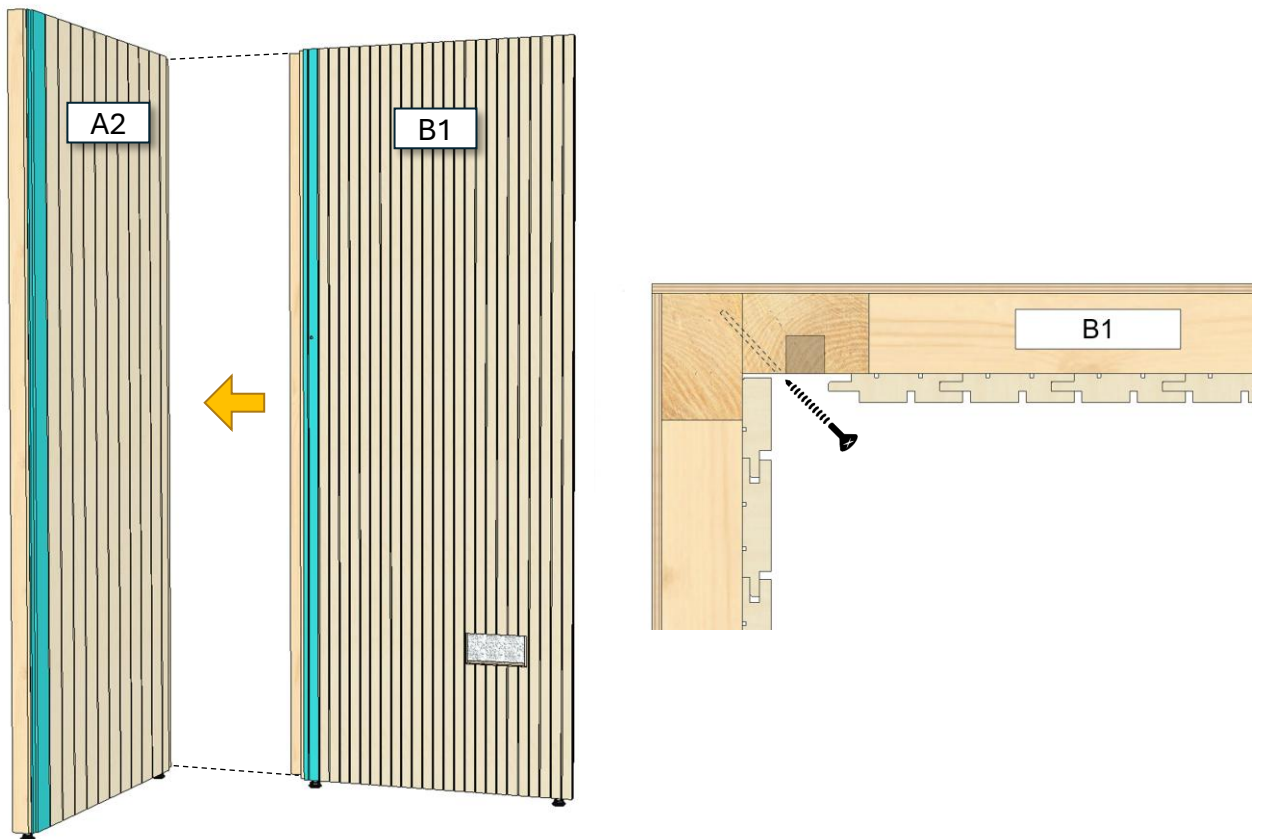
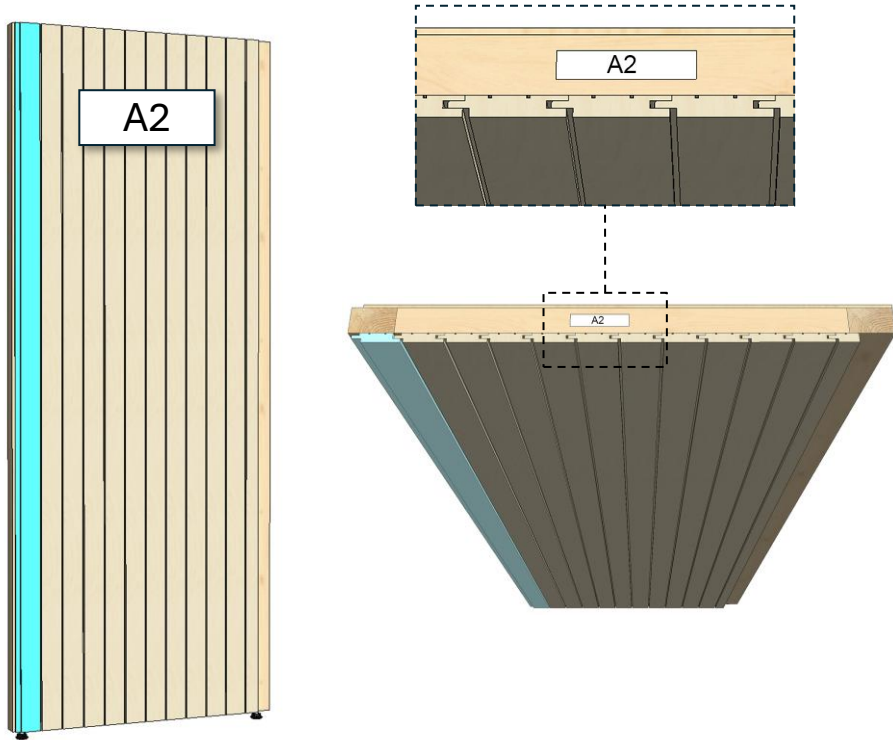
Left handed sauna

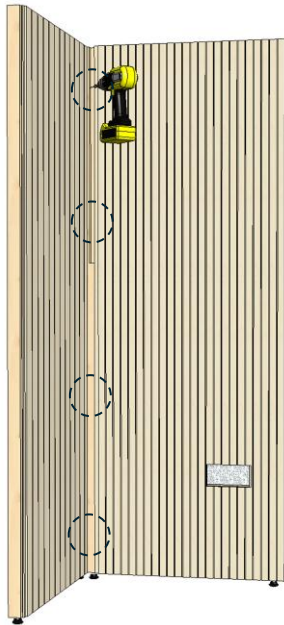
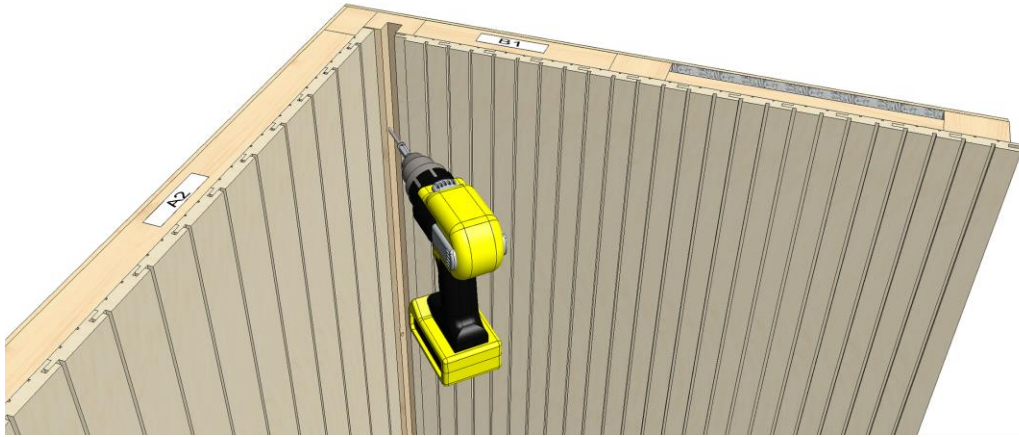


# ELEMENTS Note! Size may differ depending on the model

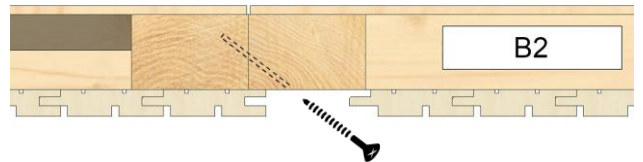
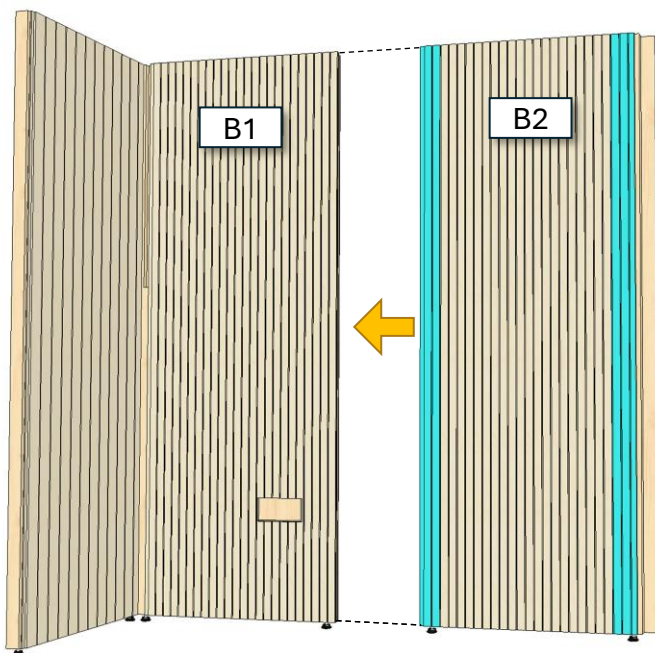


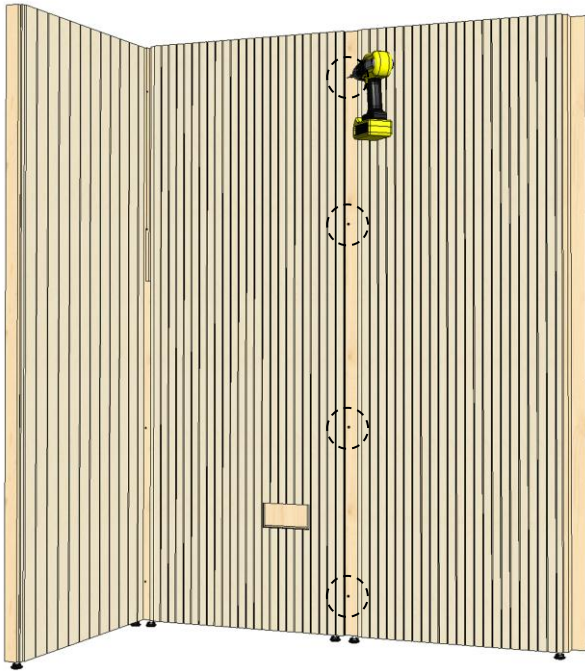
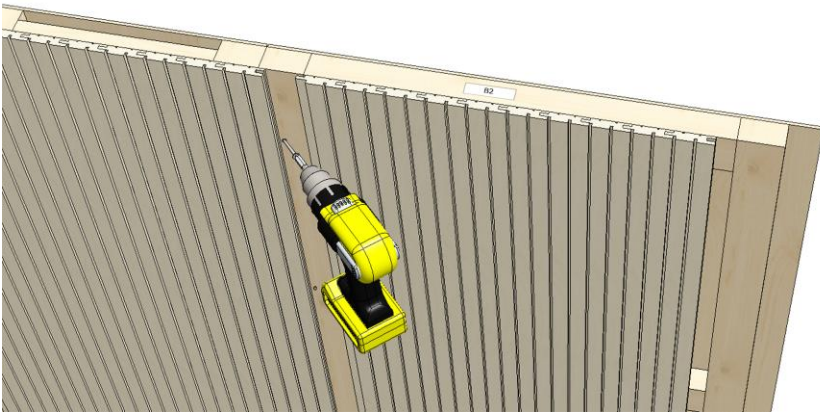
# INSTALLATION OF ELEMENTS



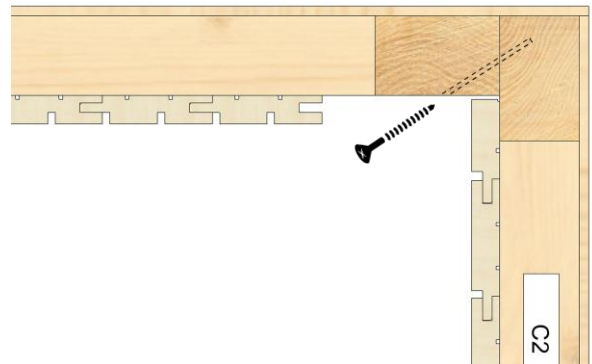
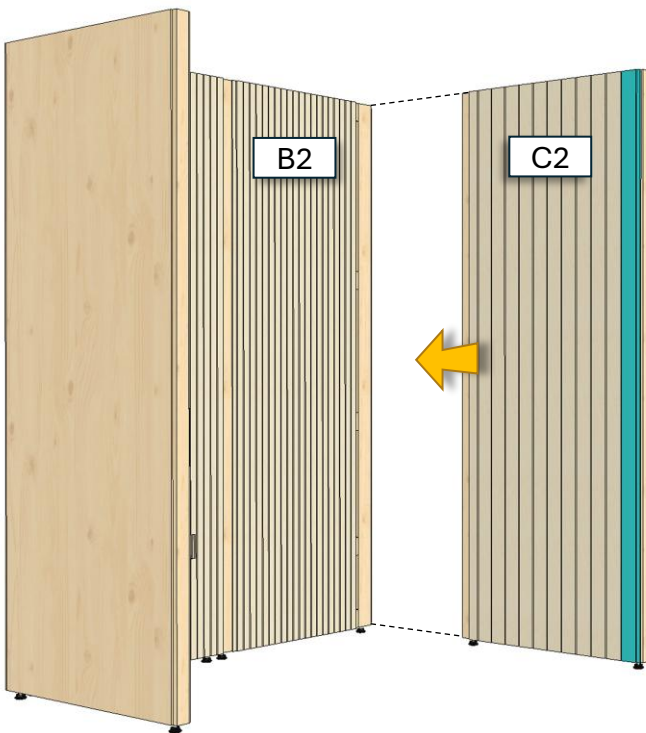


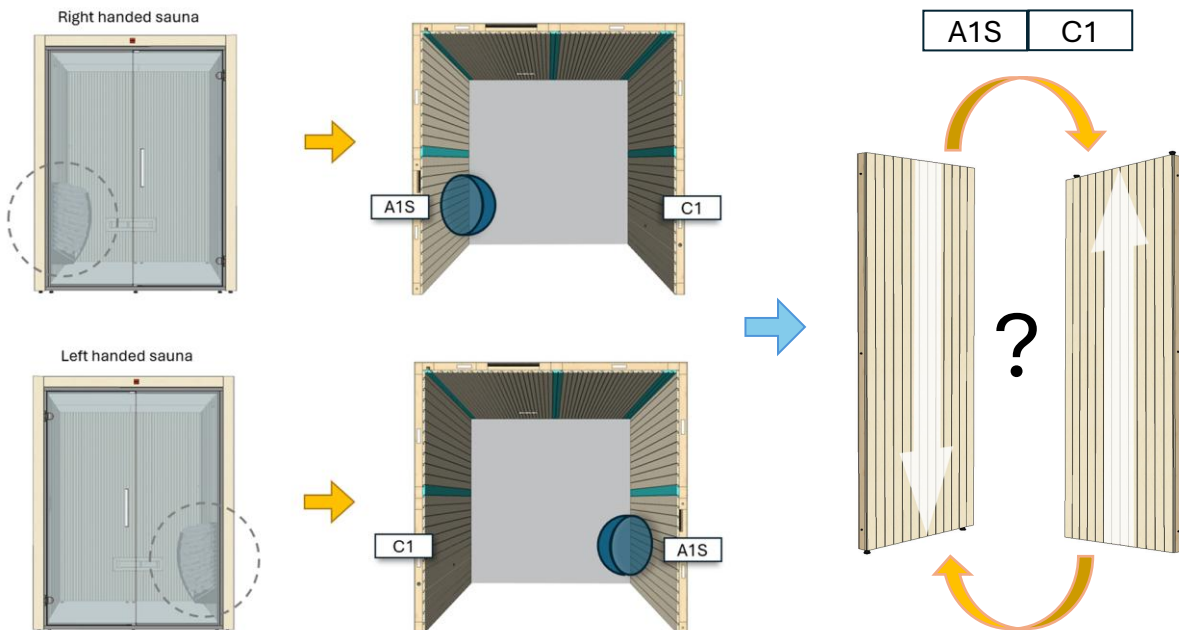
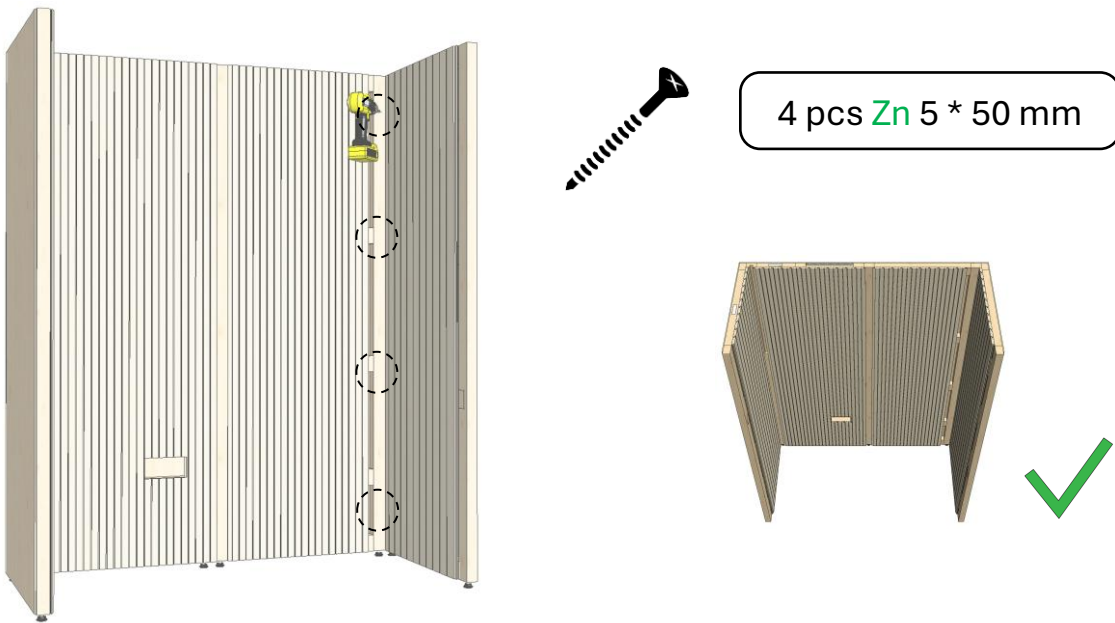
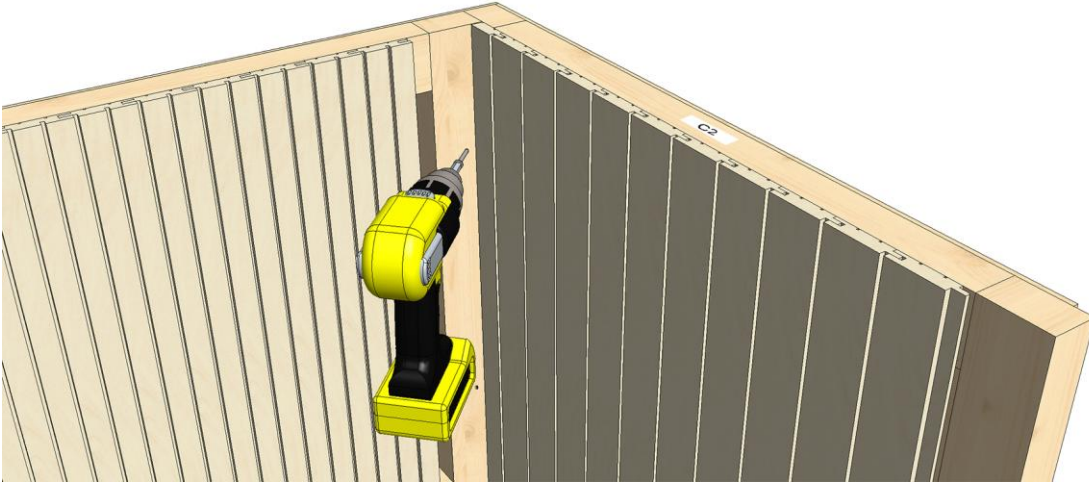
4 pcs Zn 5 \* 50 mm



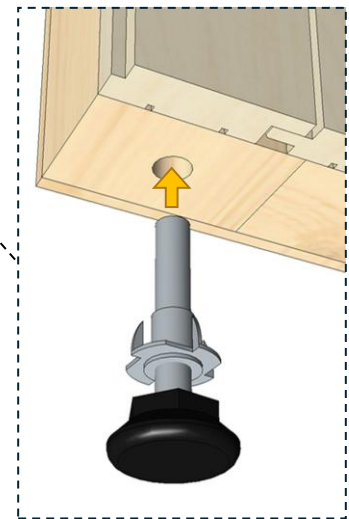
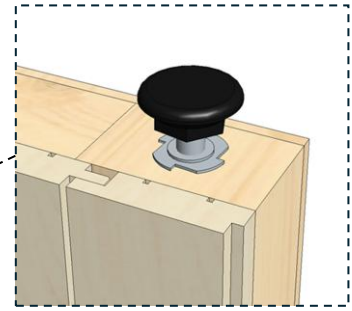
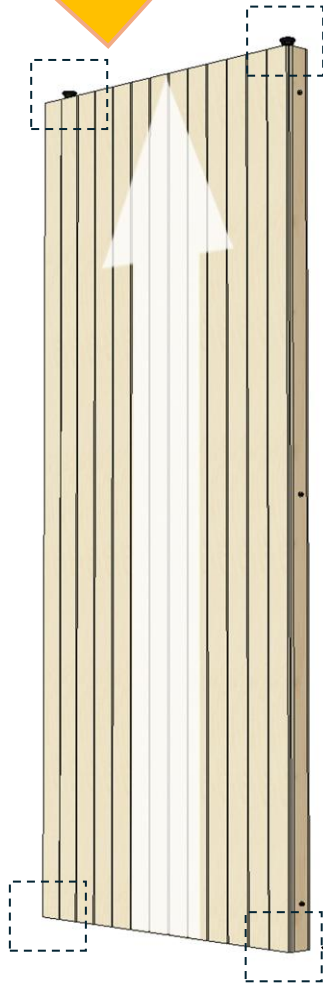
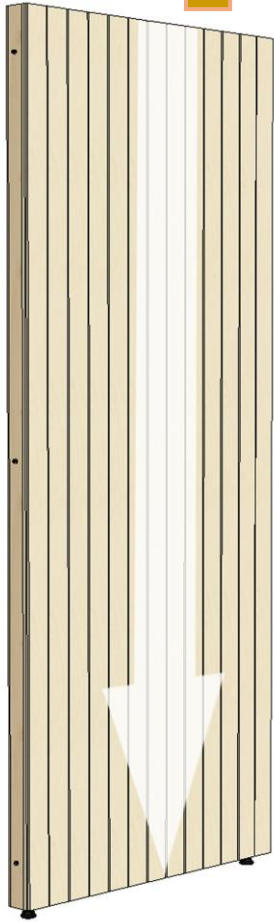


4 pcs Zn 5 \* 50 mm





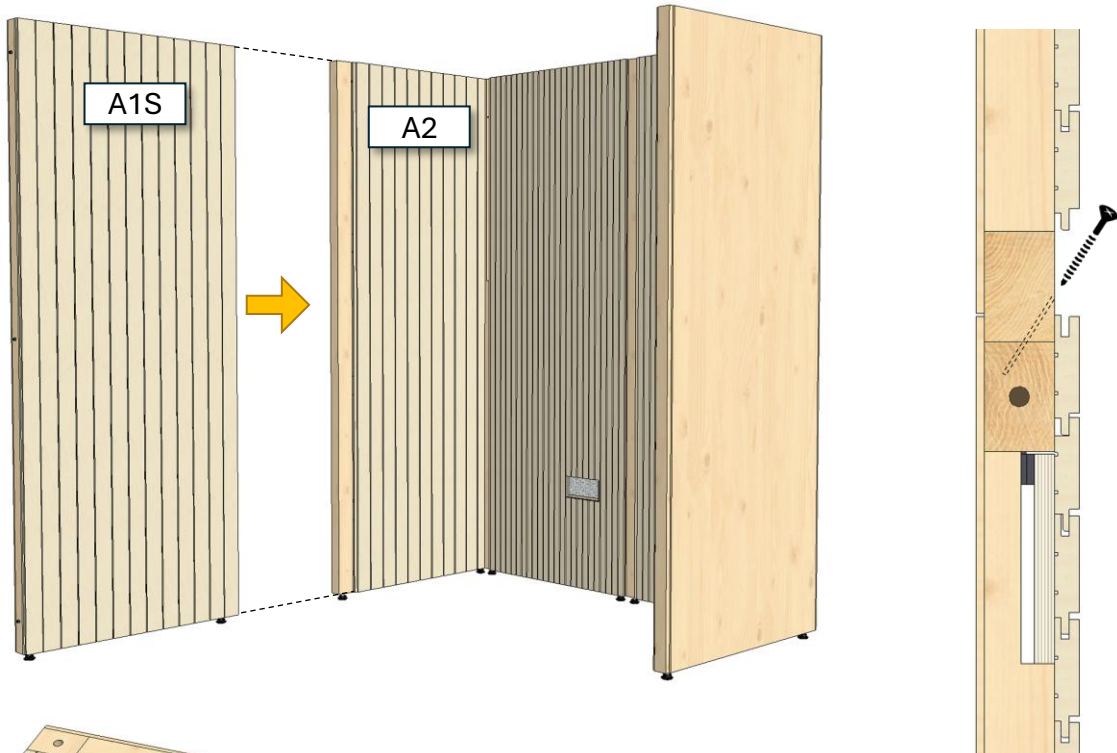
A1S C1



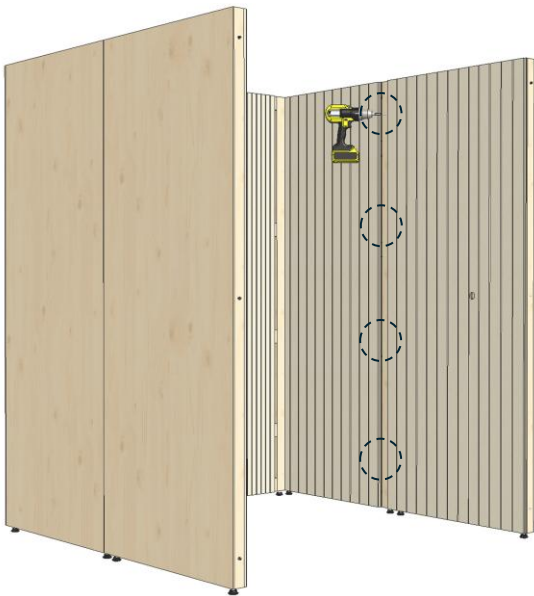
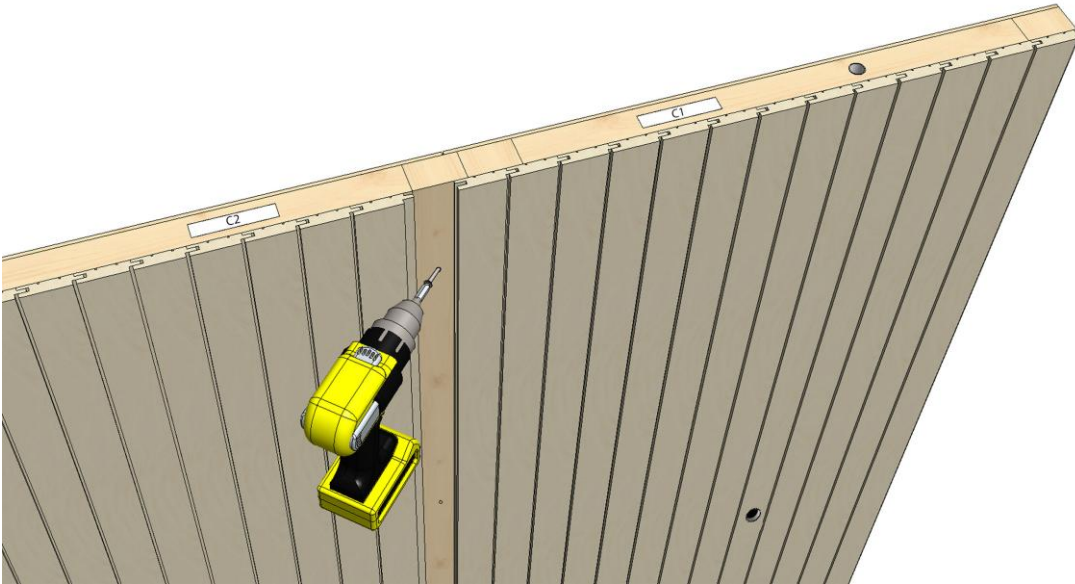
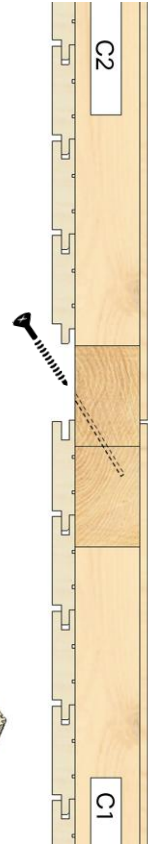
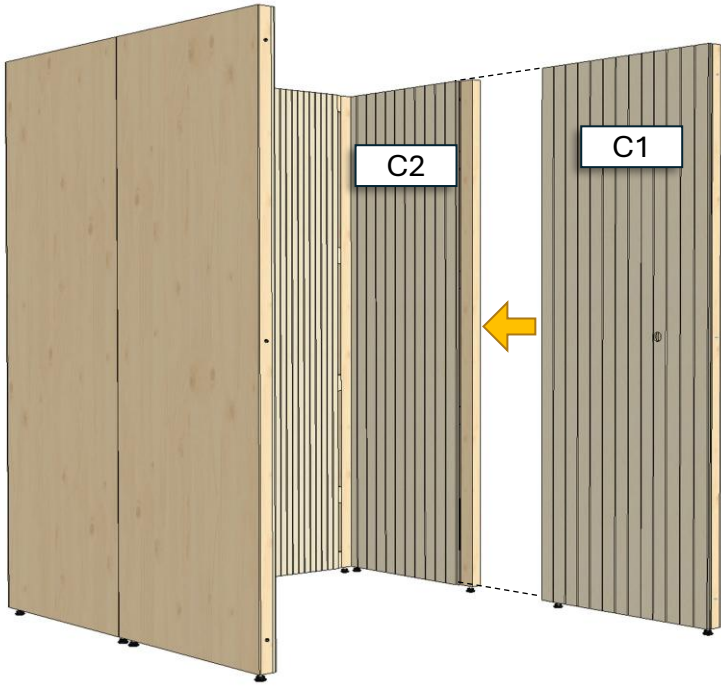
**NOTE!**

Instructions continue from here on with the installation of a right-handed sauna.

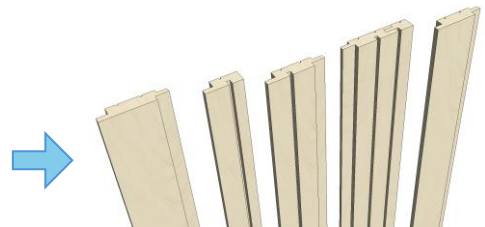




4 pcs Zn 5 \* 50 mm

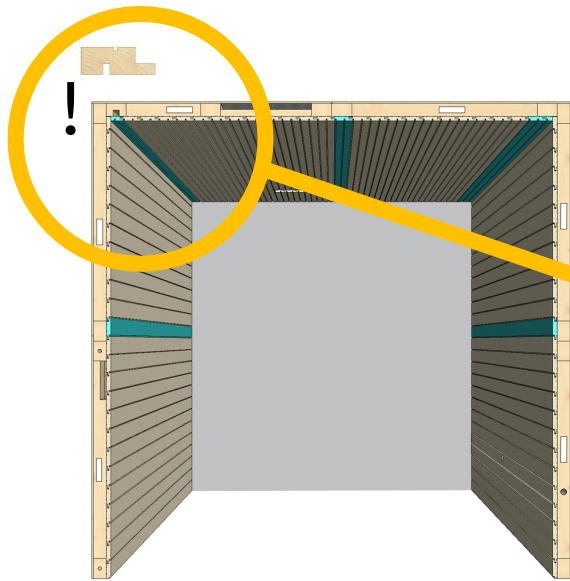


4 pcs Zn 5 \* 50 mm

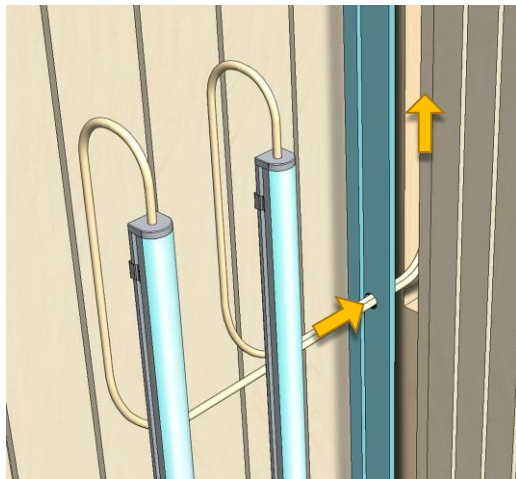
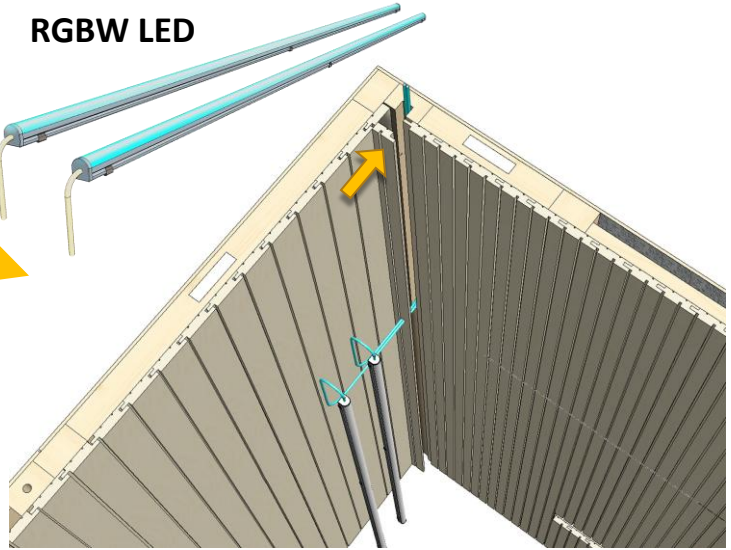




# LOOSE PANELS

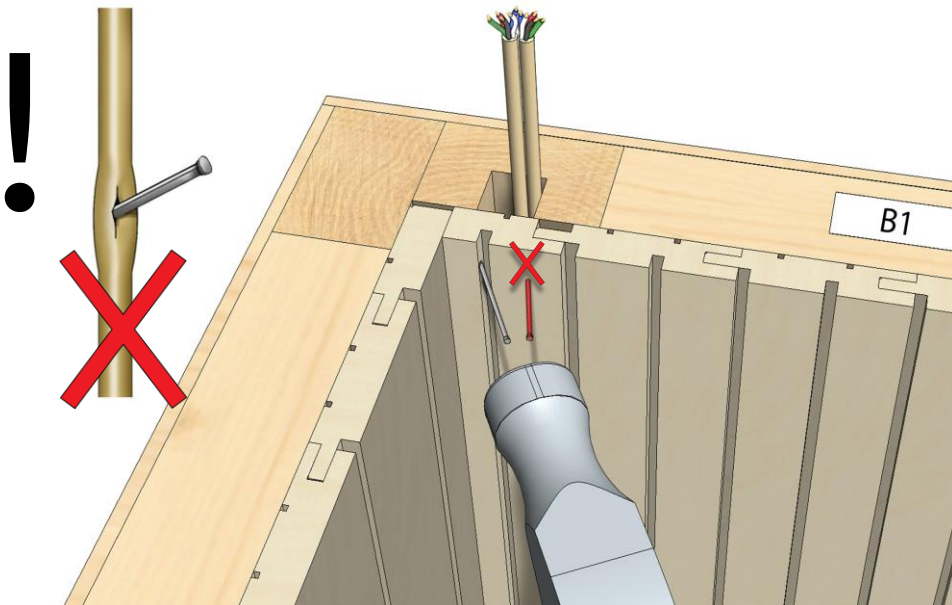
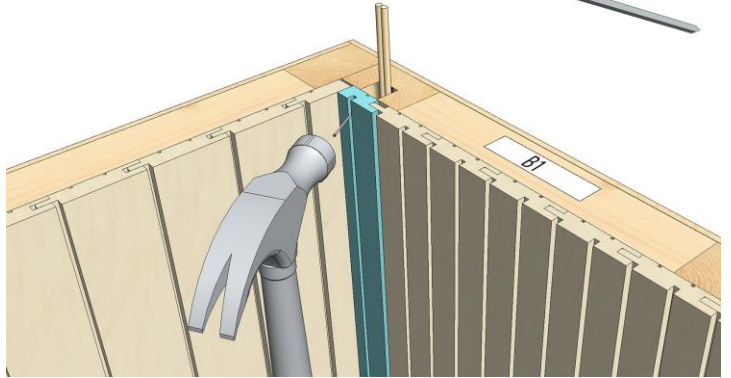


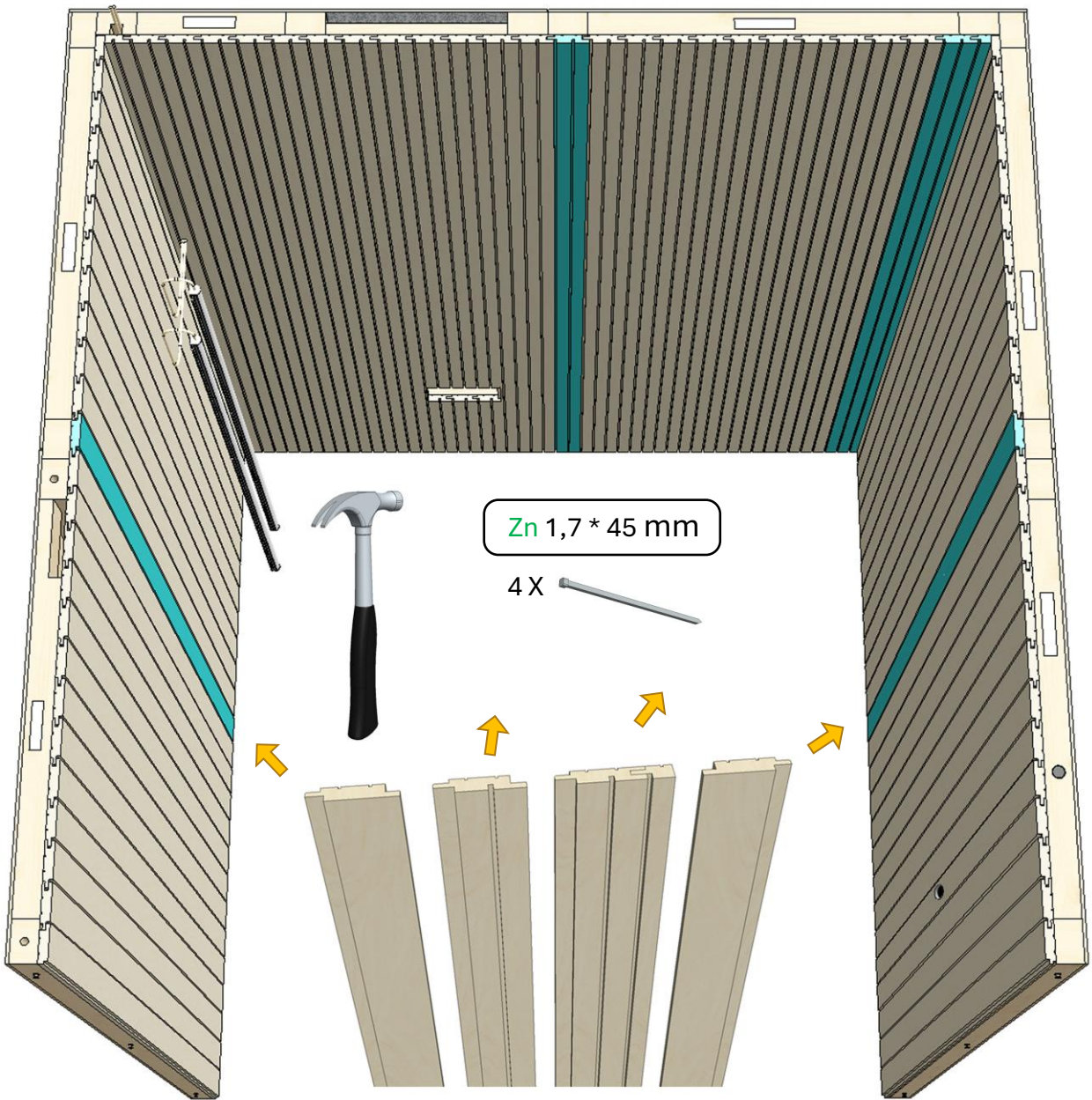
RGBW LED



Zn 1,7 \* 45 mm

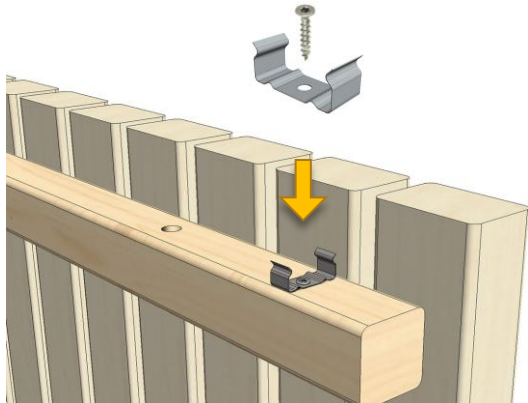
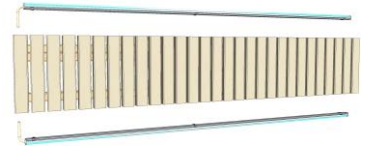
4 X



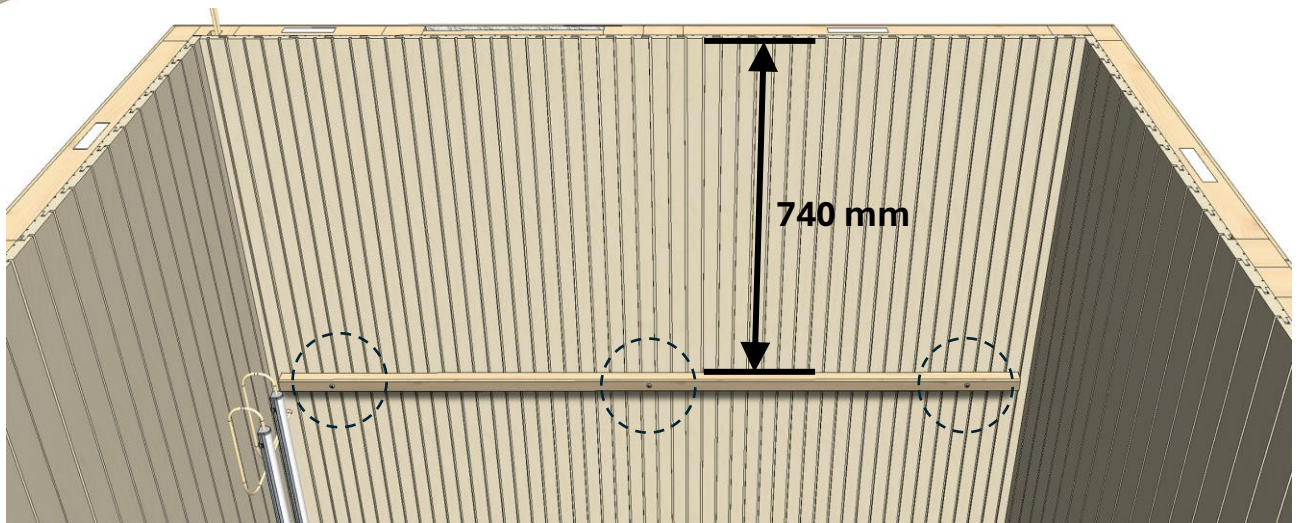
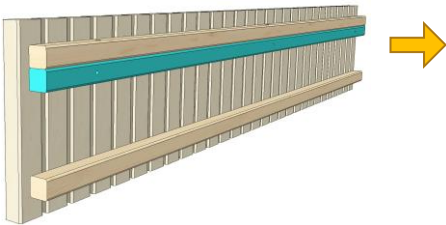
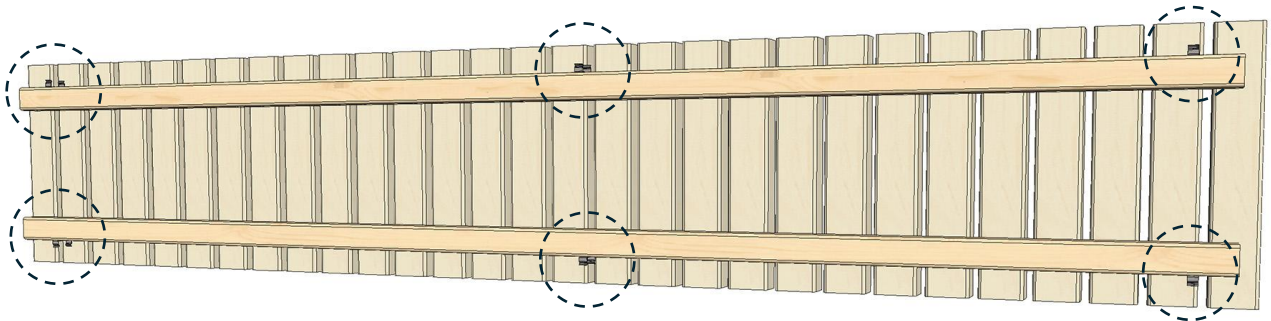


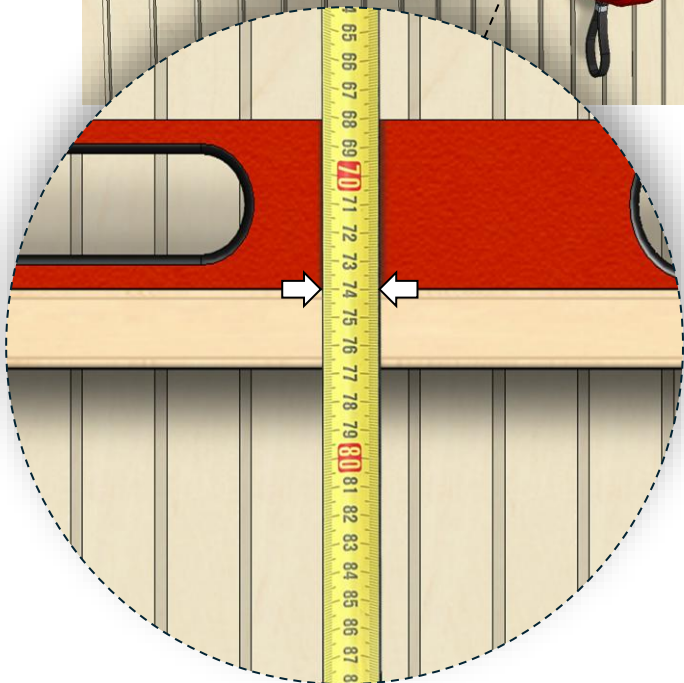
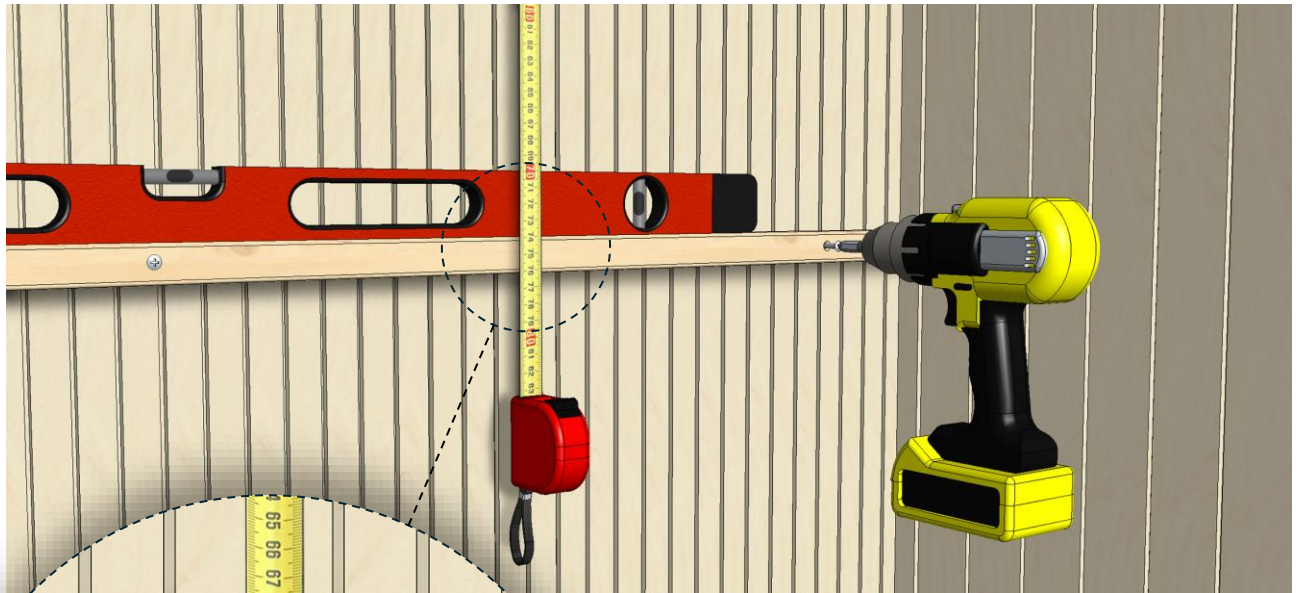


# BACK REST

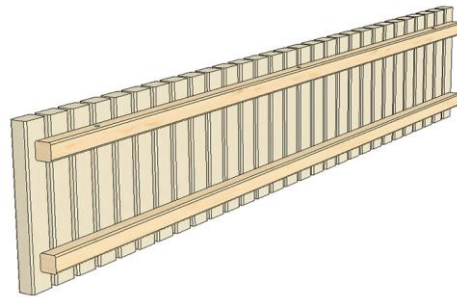


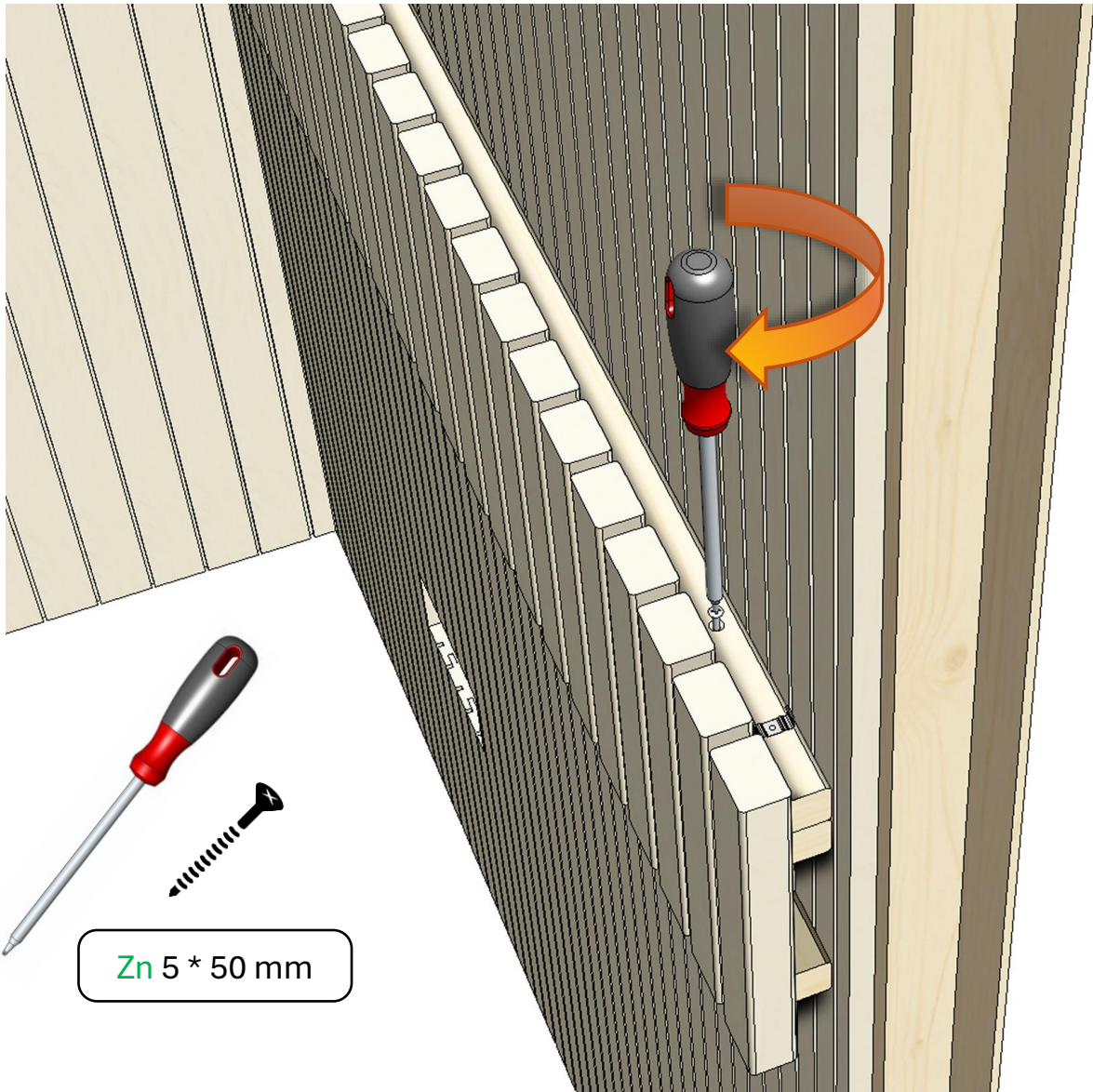
Zn 3 \* 25 mm



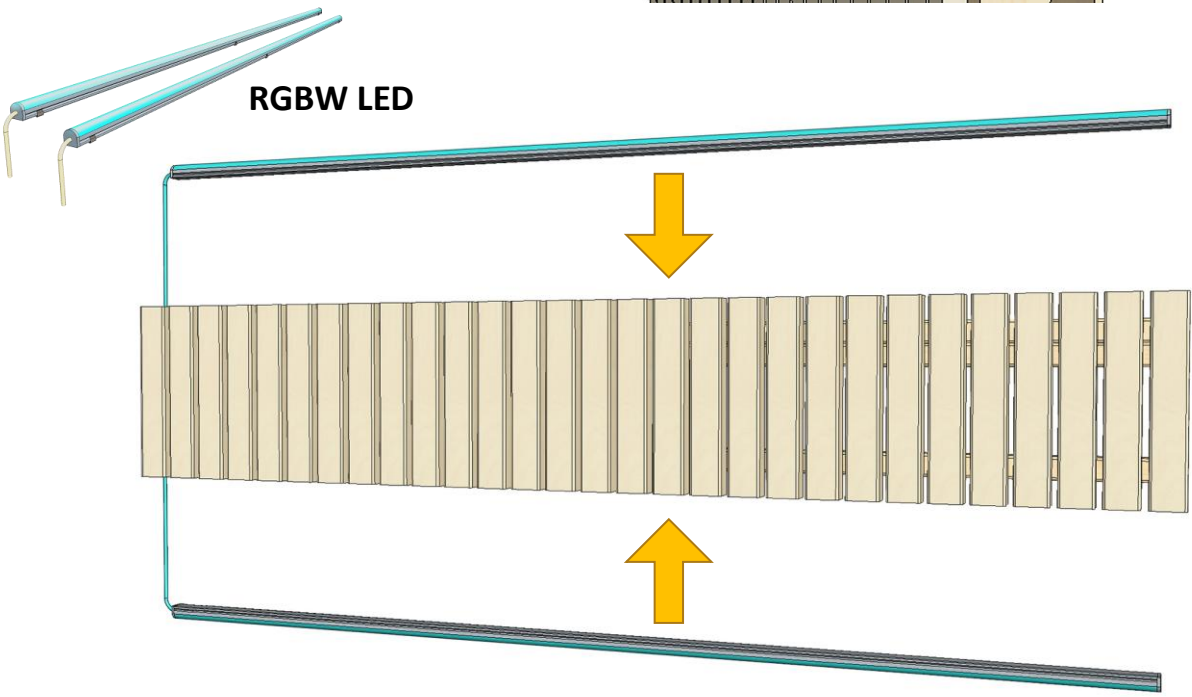


3 pcs Zn 5 \* 50 mm

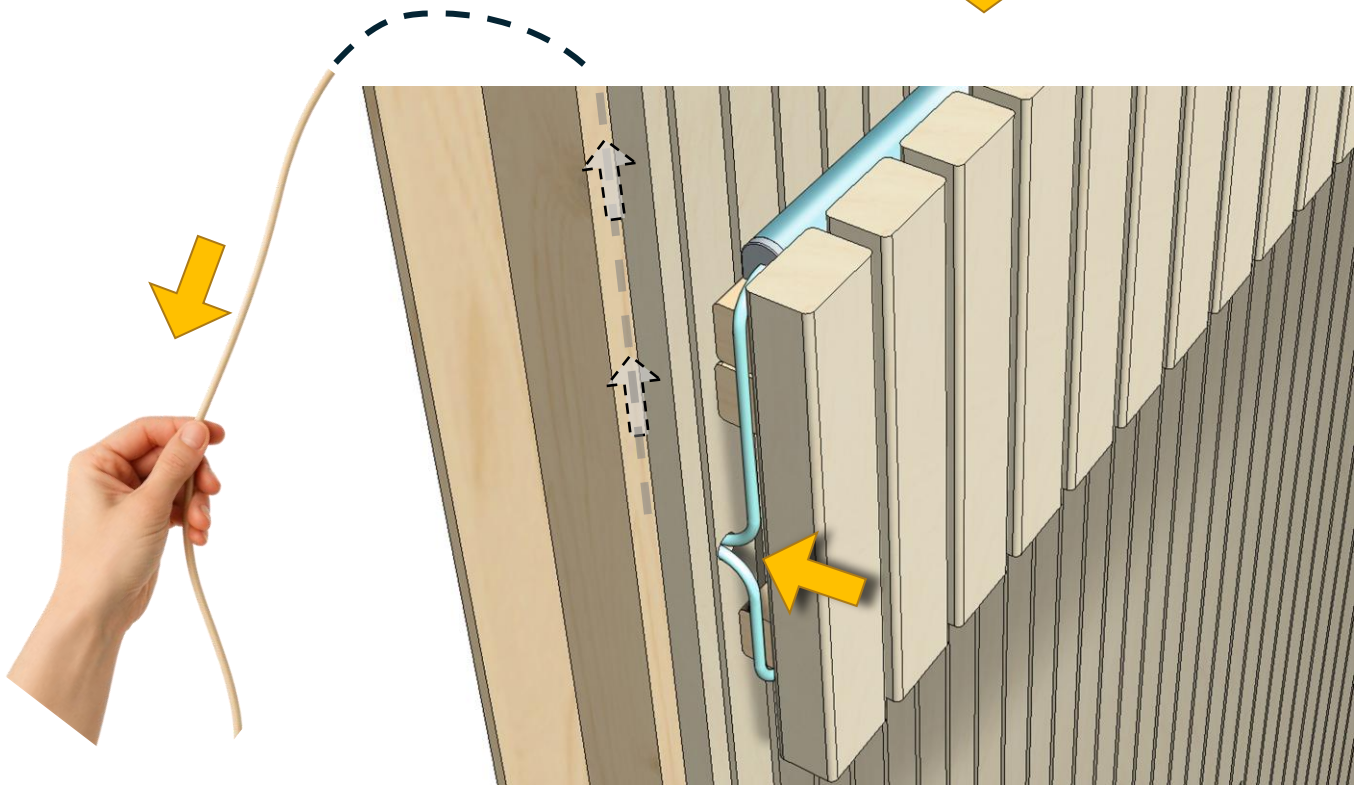
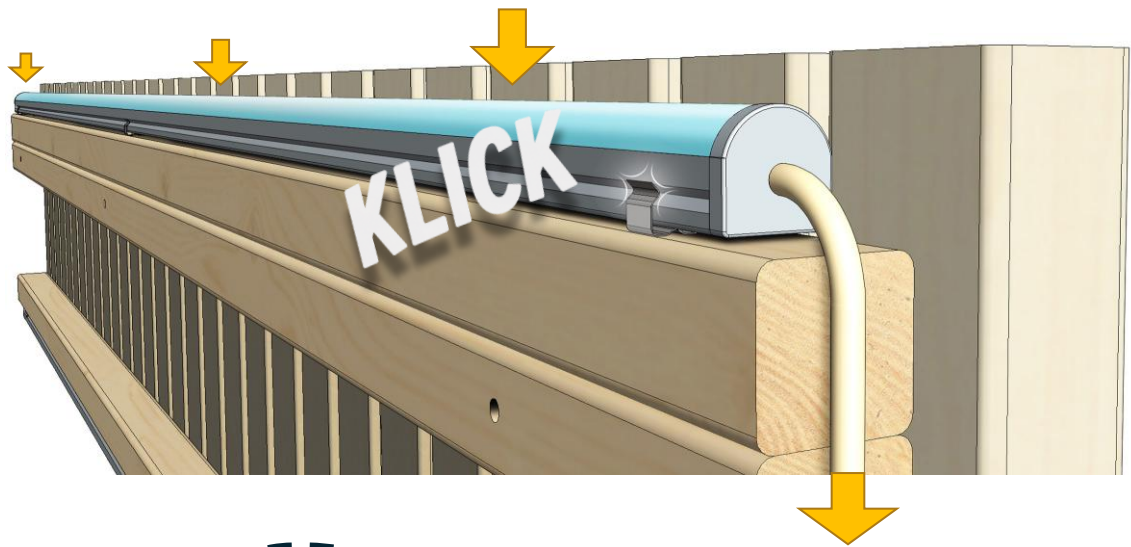




Zn 5 \* 50 mm



RGBW LED



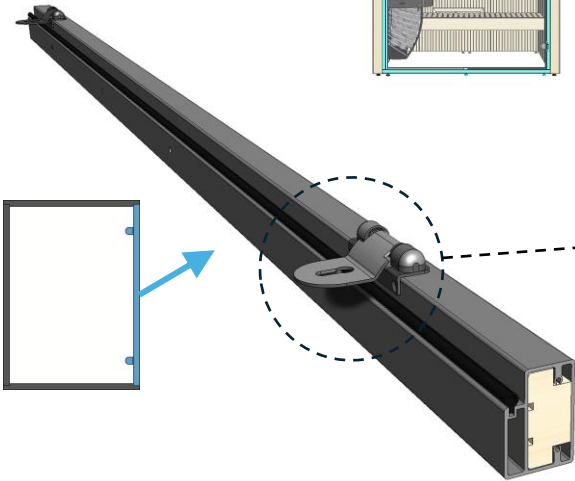
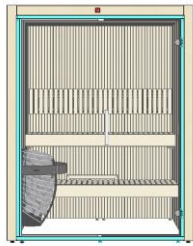


## FRONT WALL FRAMES

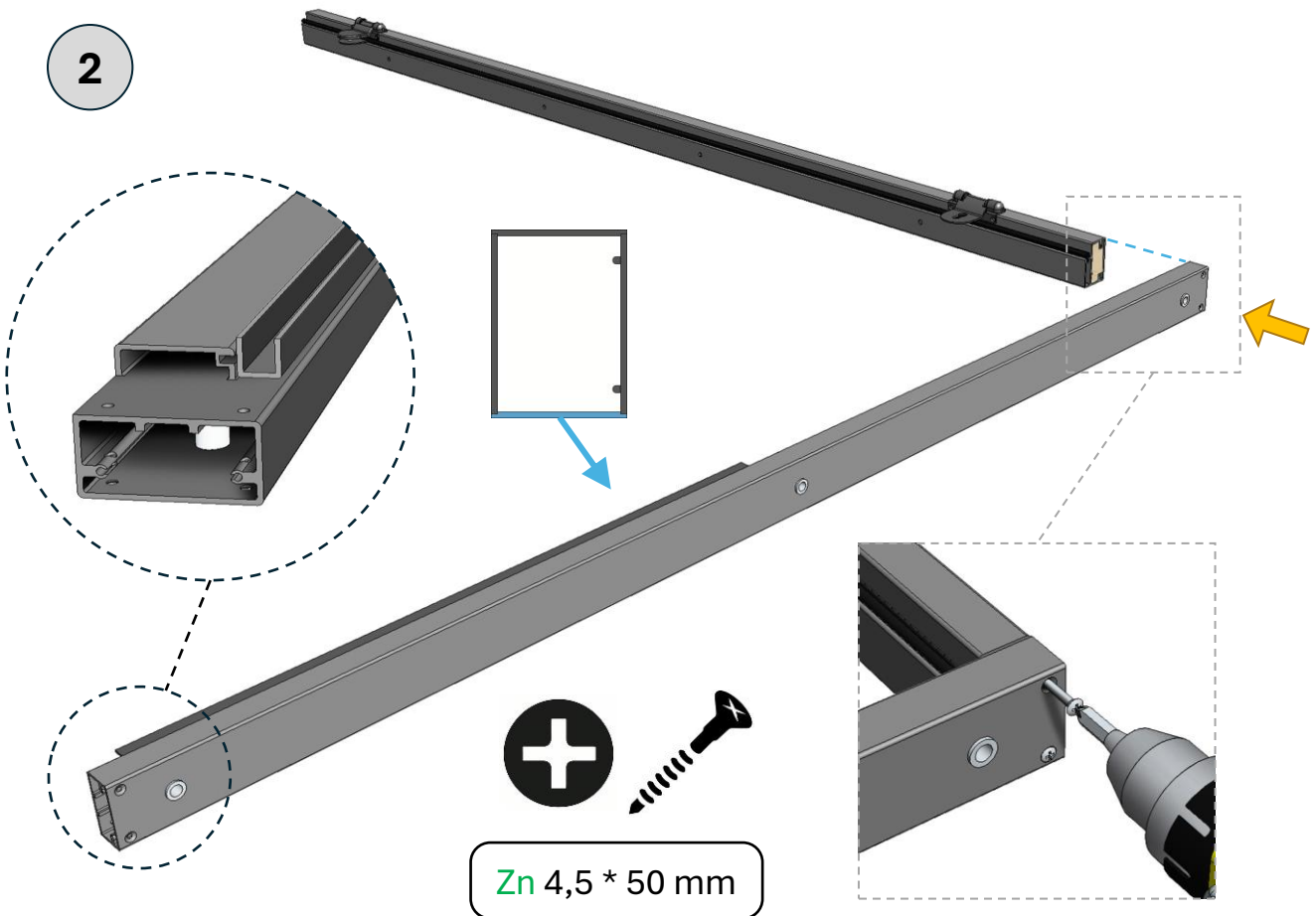
### Right handed sauna

(Left handed sauna -> p.21)

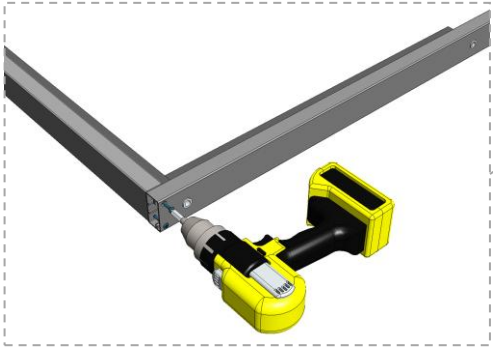
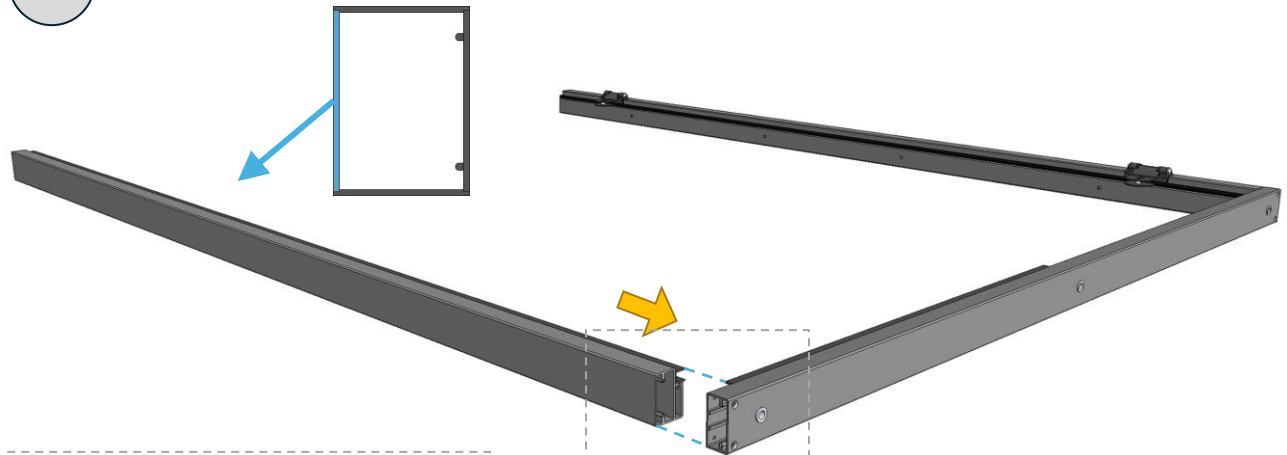
1



2

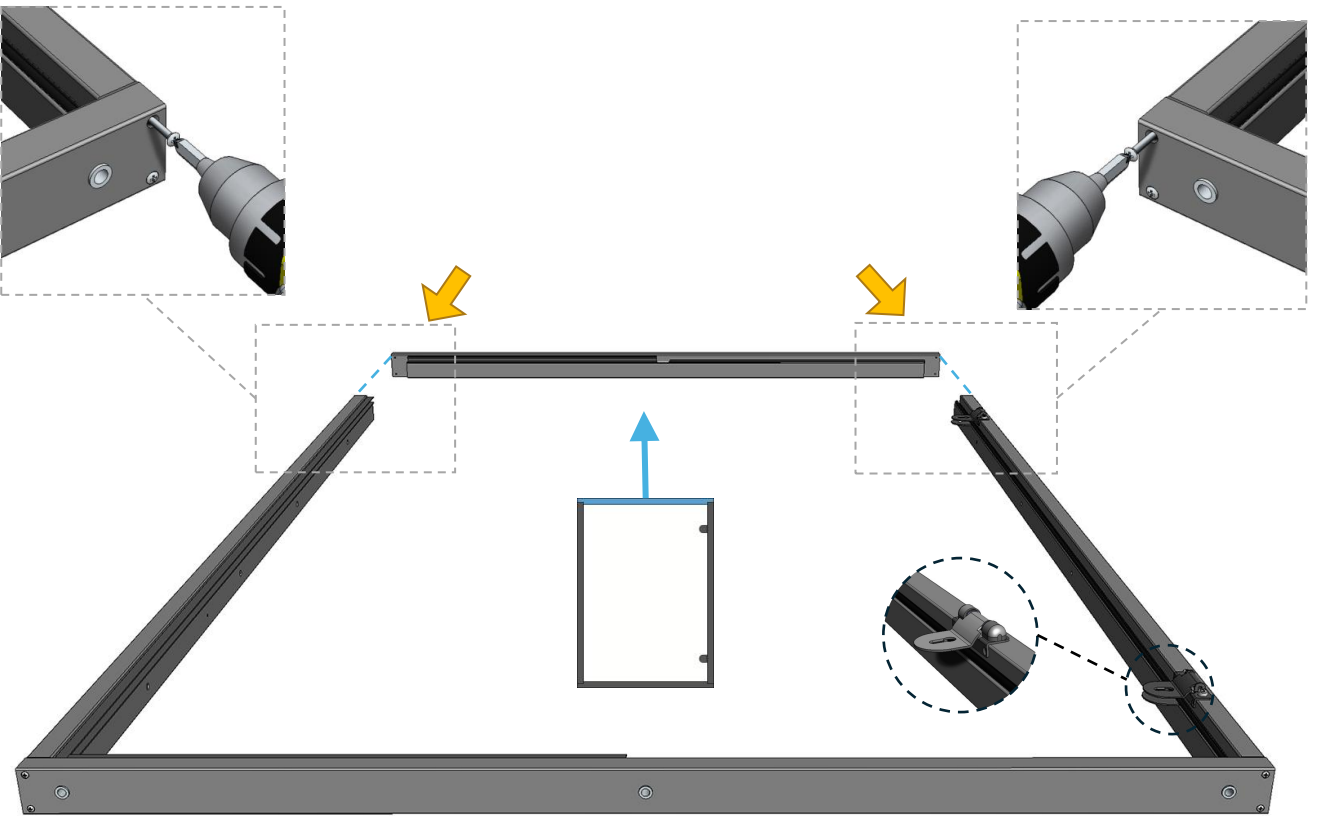


3

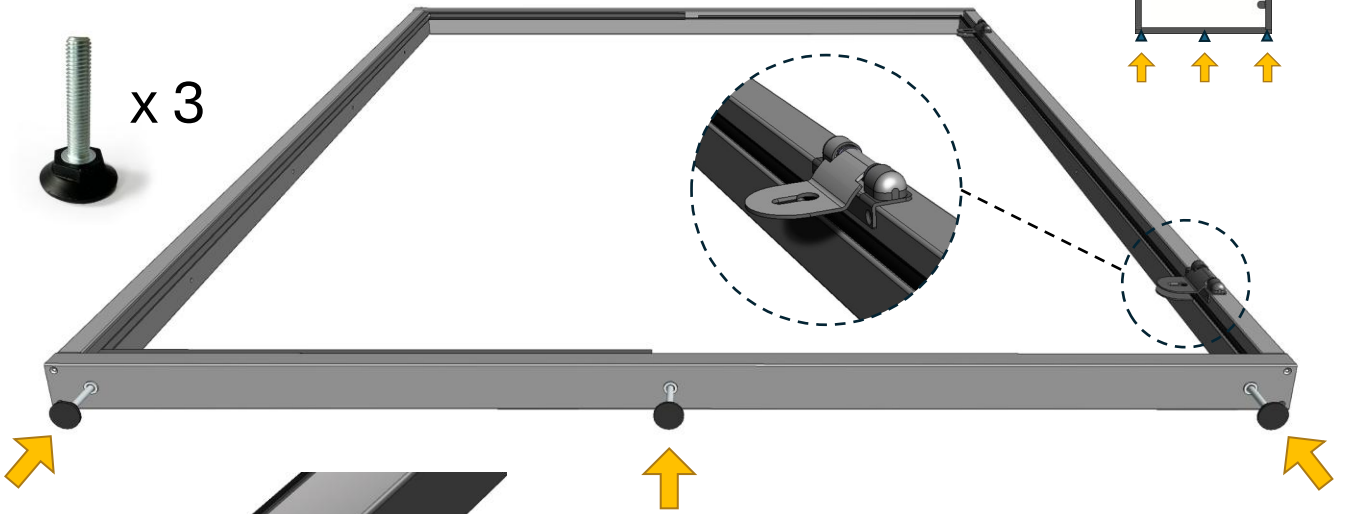


Zn 4,5 \* 50 mm

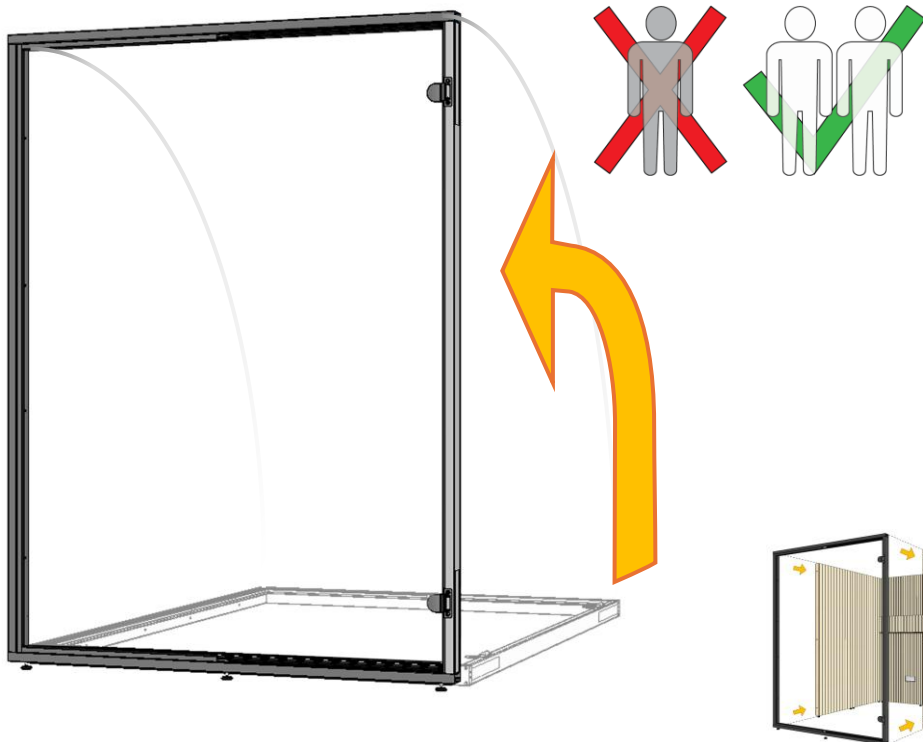
4



5

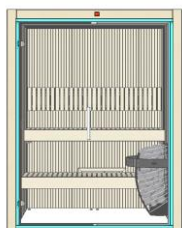


6

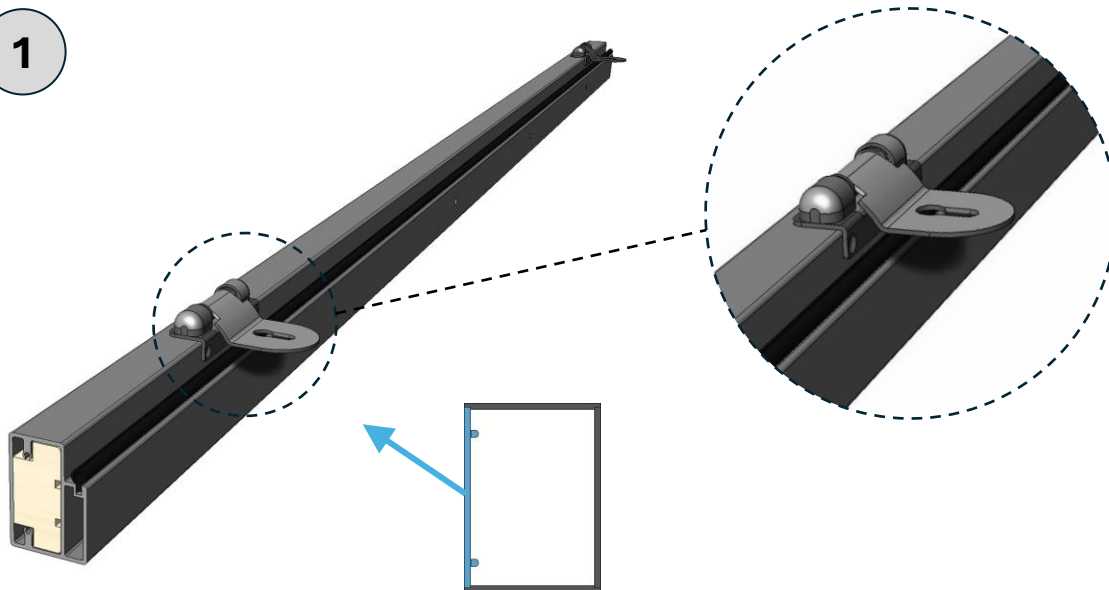


# FRONT WALL FRAMES

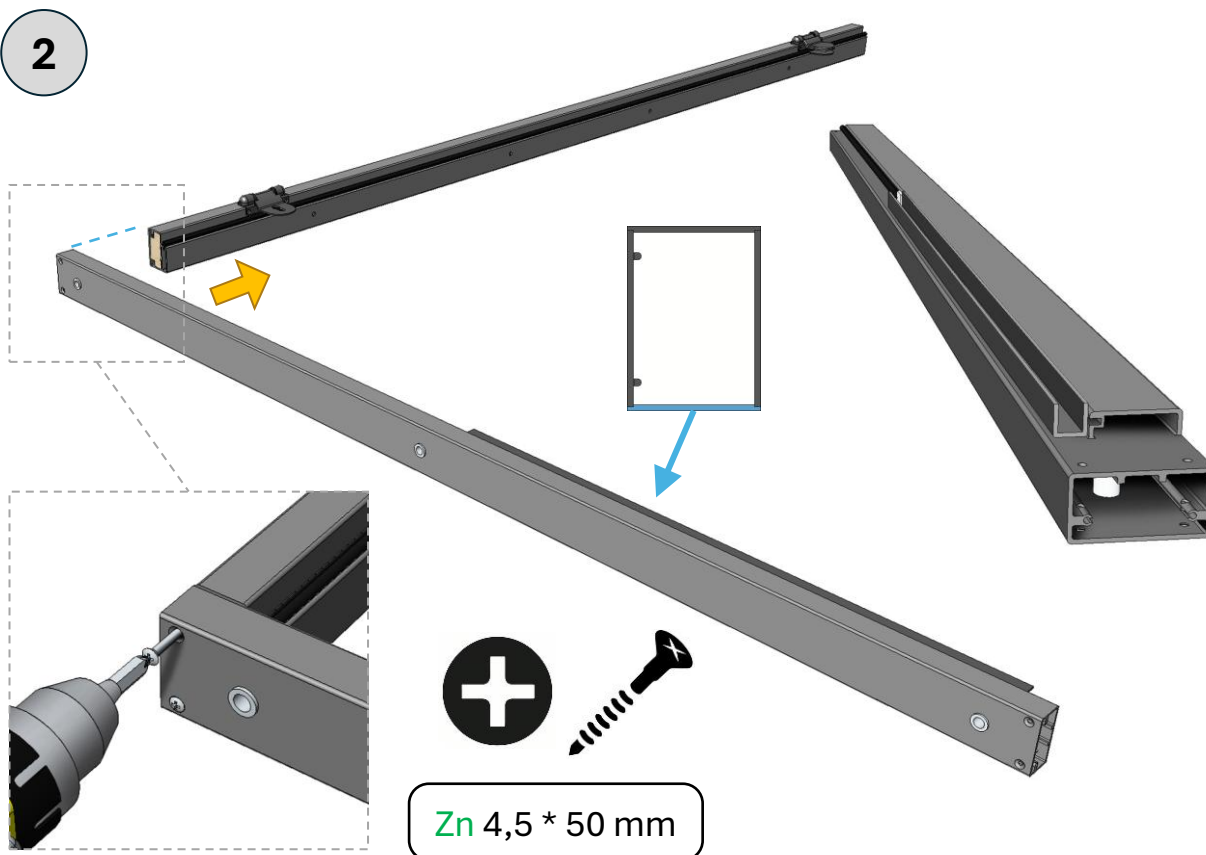
Left handed sauna  
(Right handed sauna -> p.18)



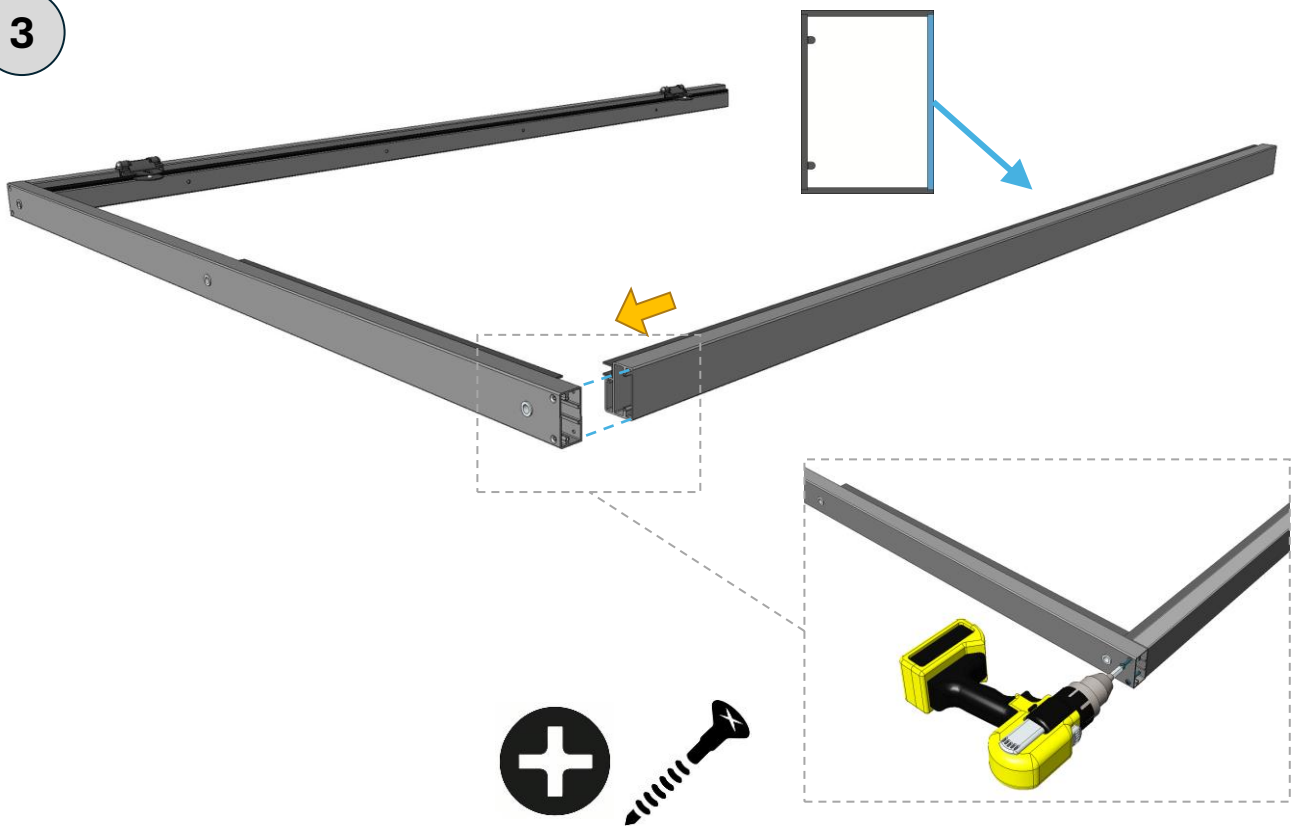
1



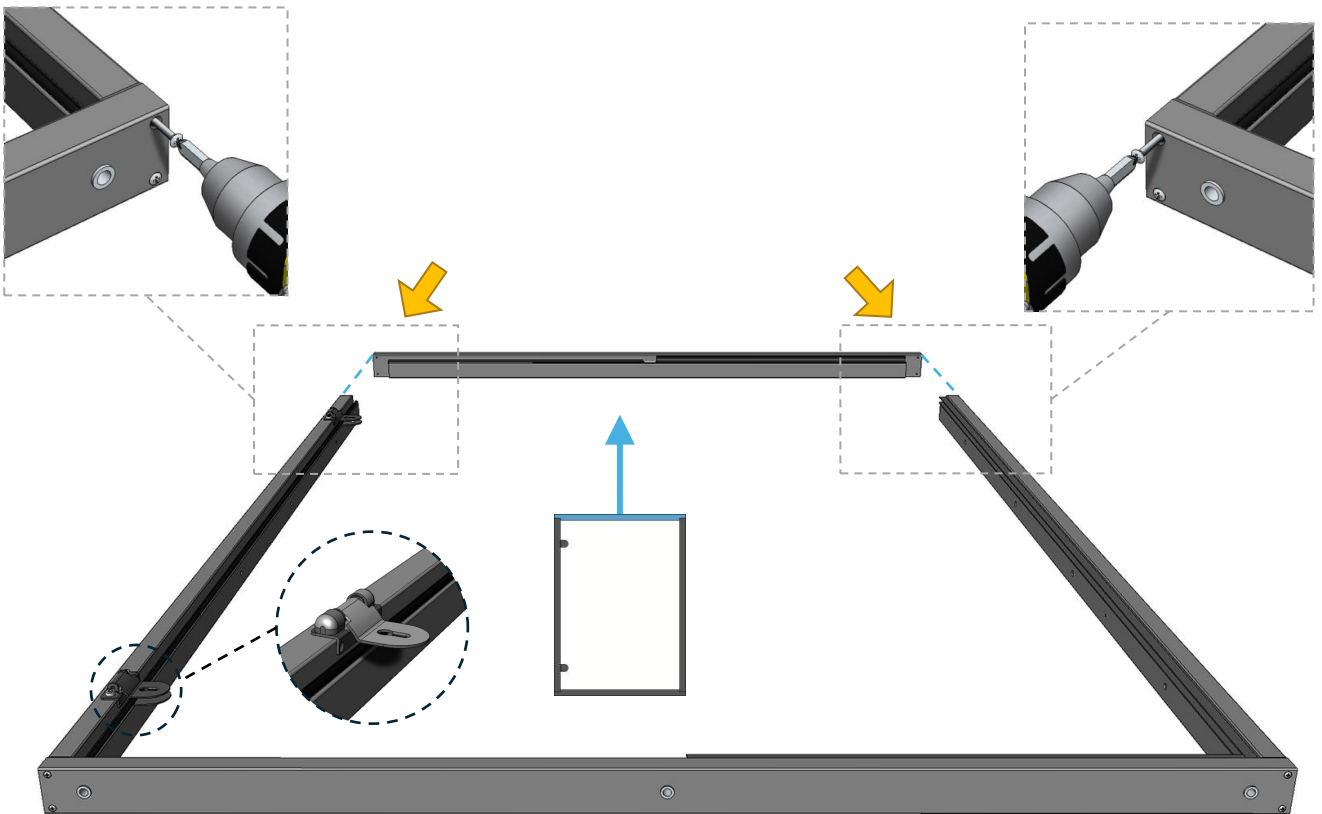
2

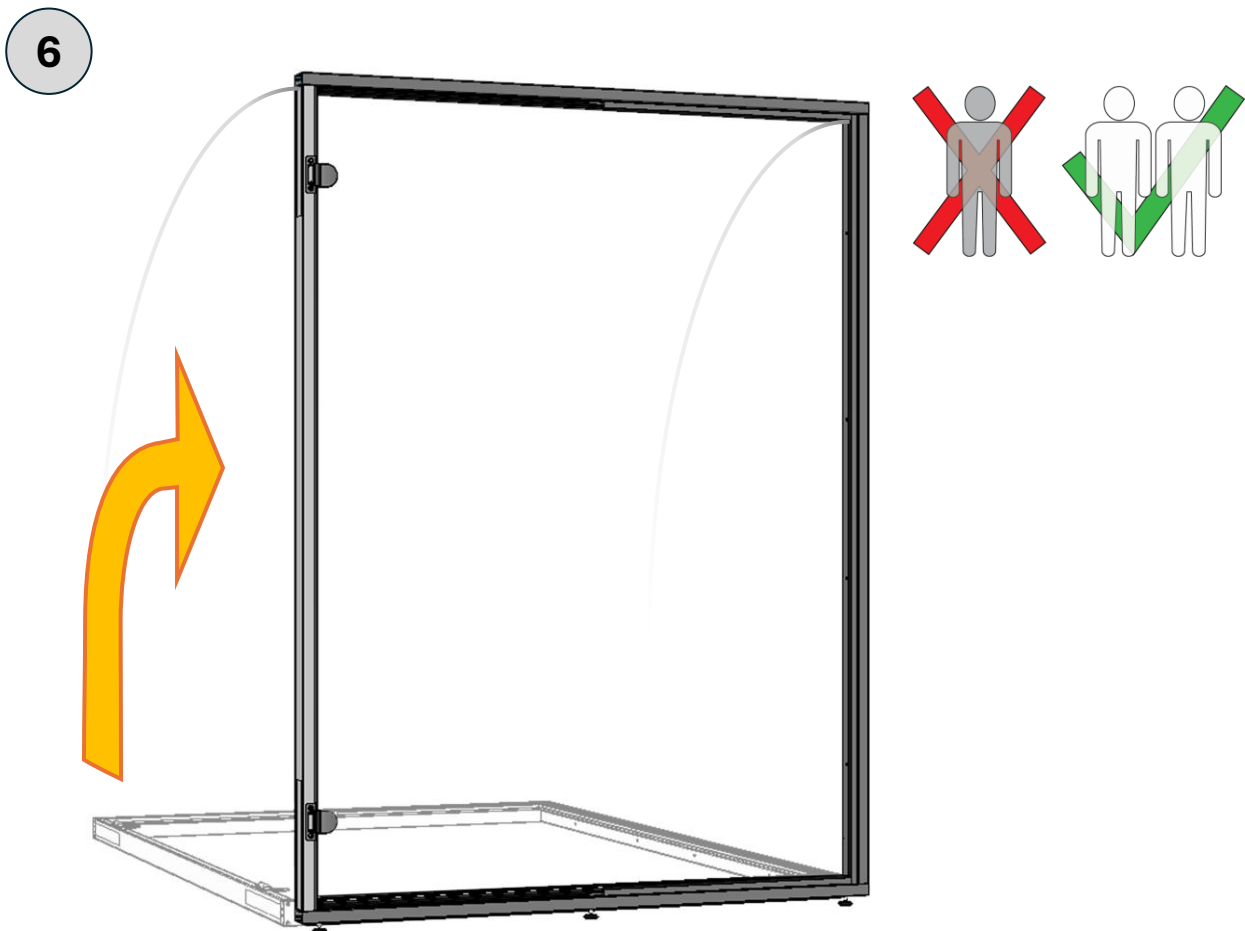
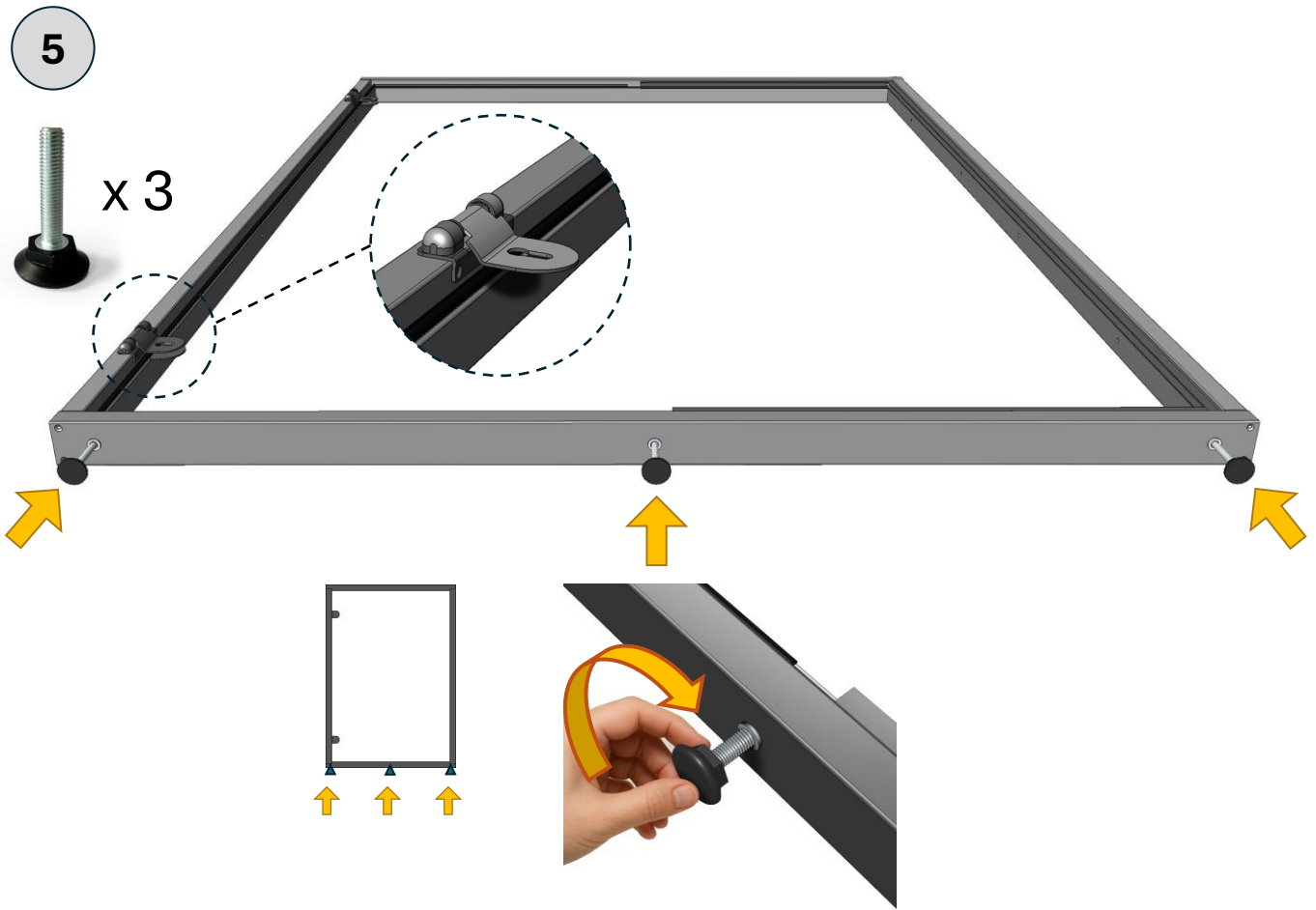


3



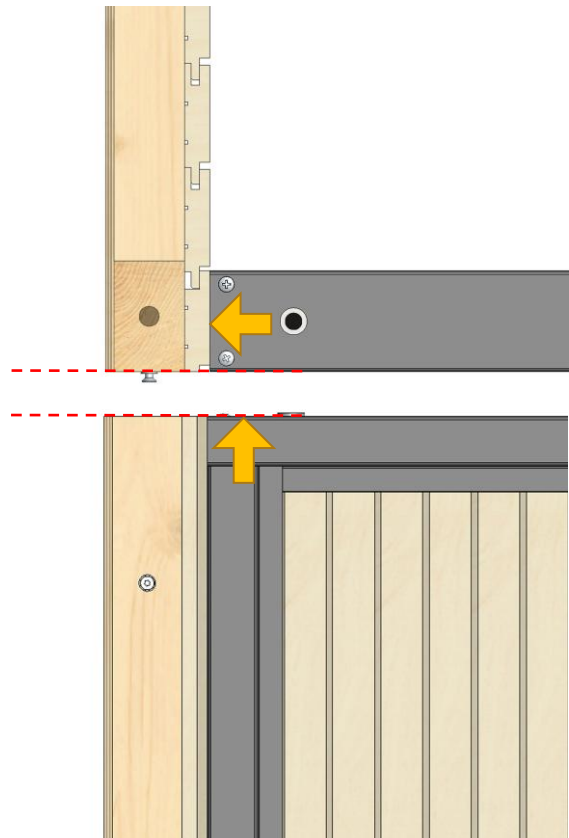
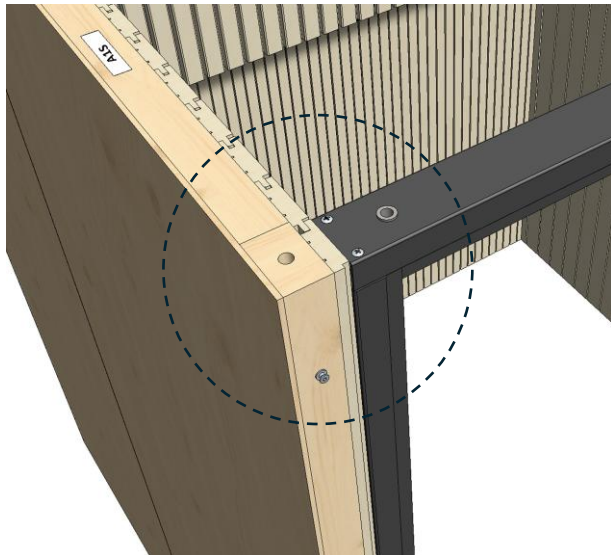
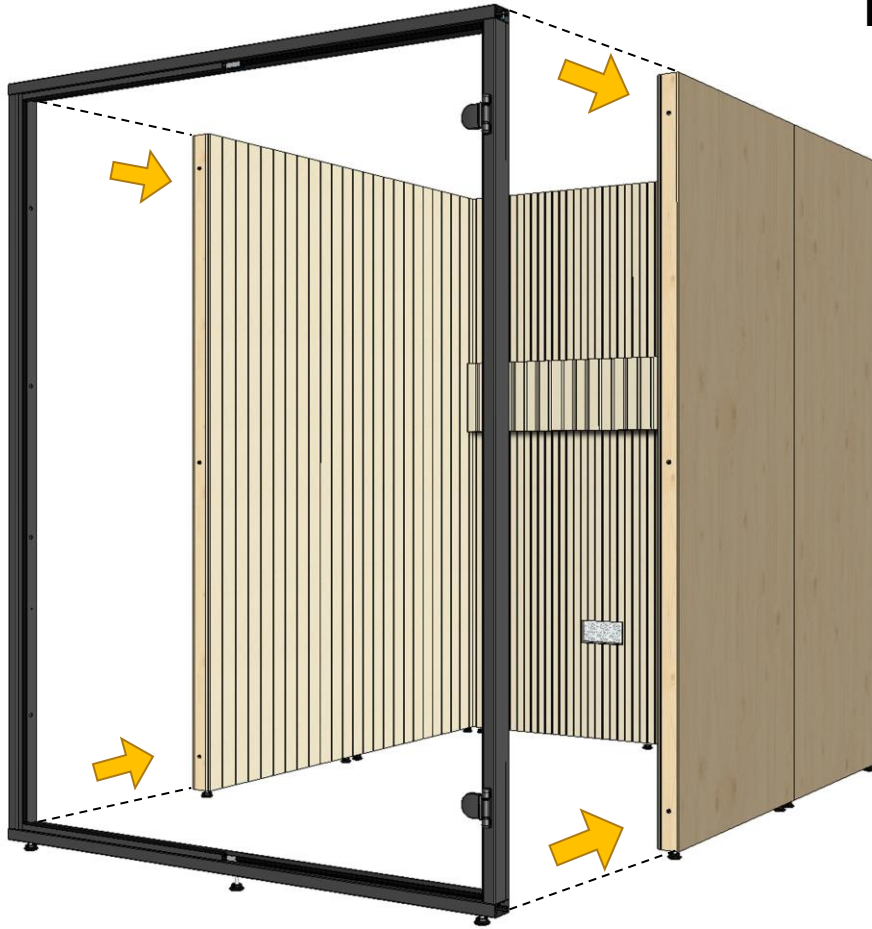
4

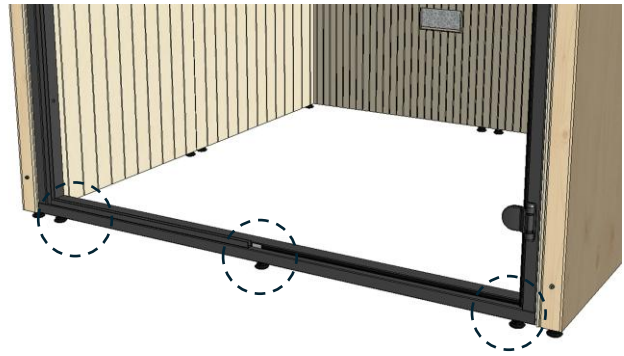
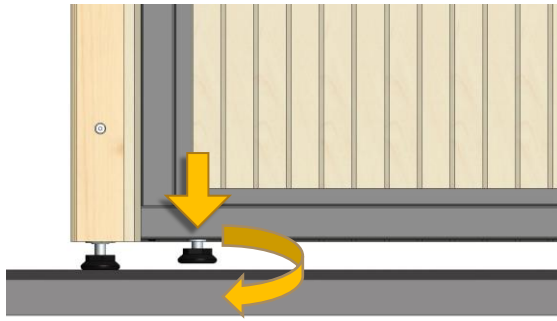




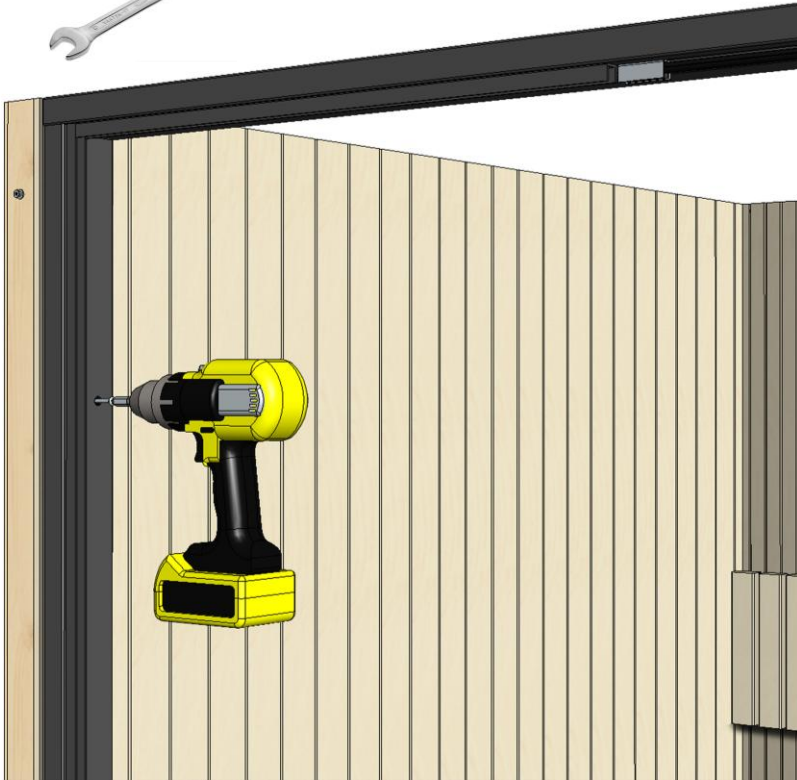
## INSTALLATION OF FRAMES

Right handed sauna





25 mm

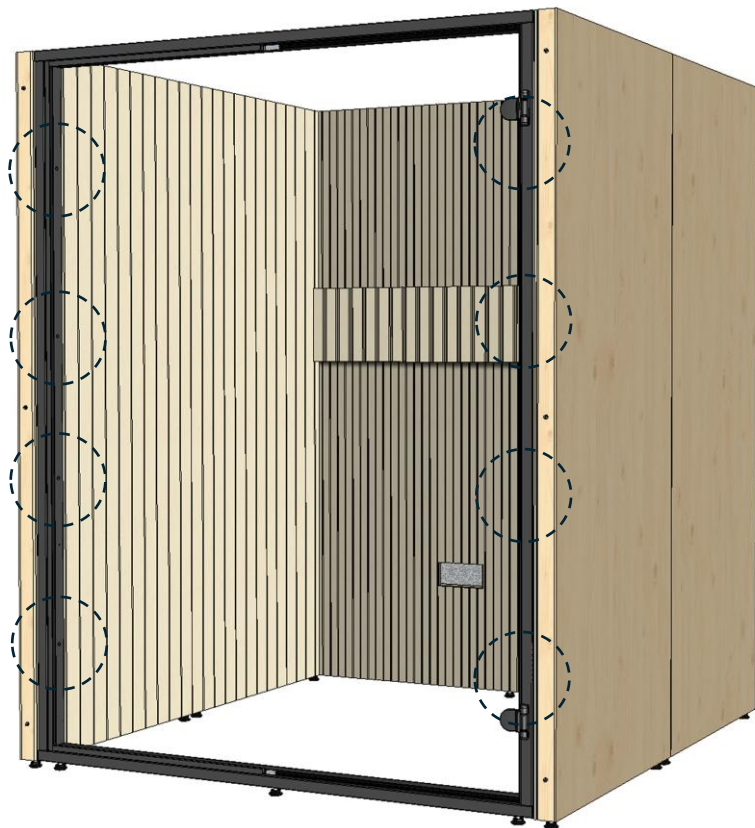


8 pcs Zn 4,5 \* 50 mm

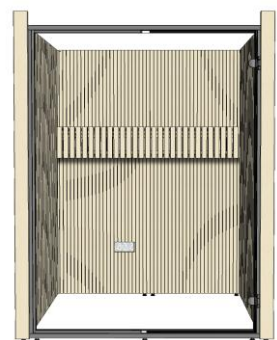
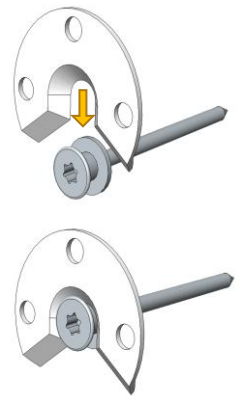
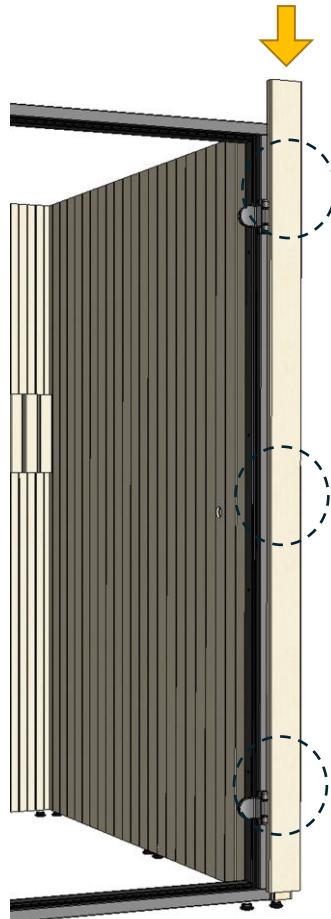
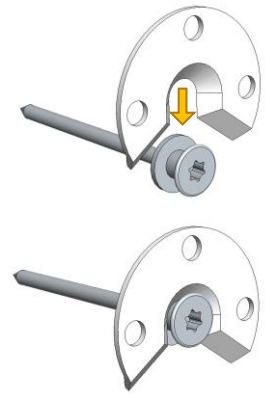
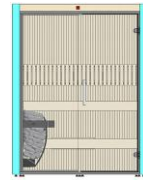
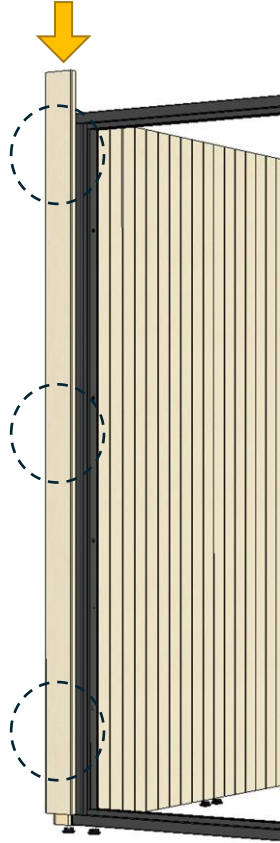


TX25



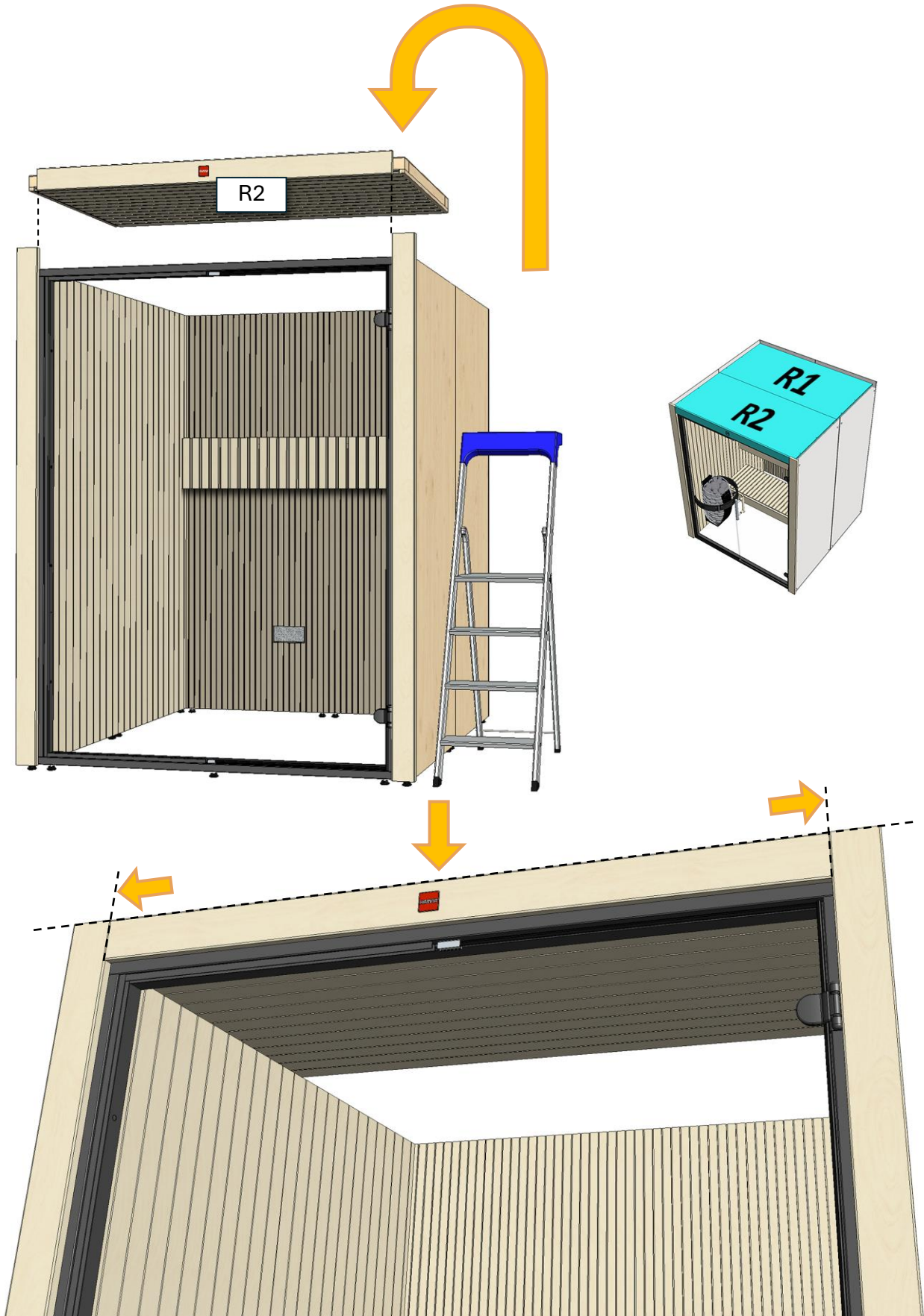


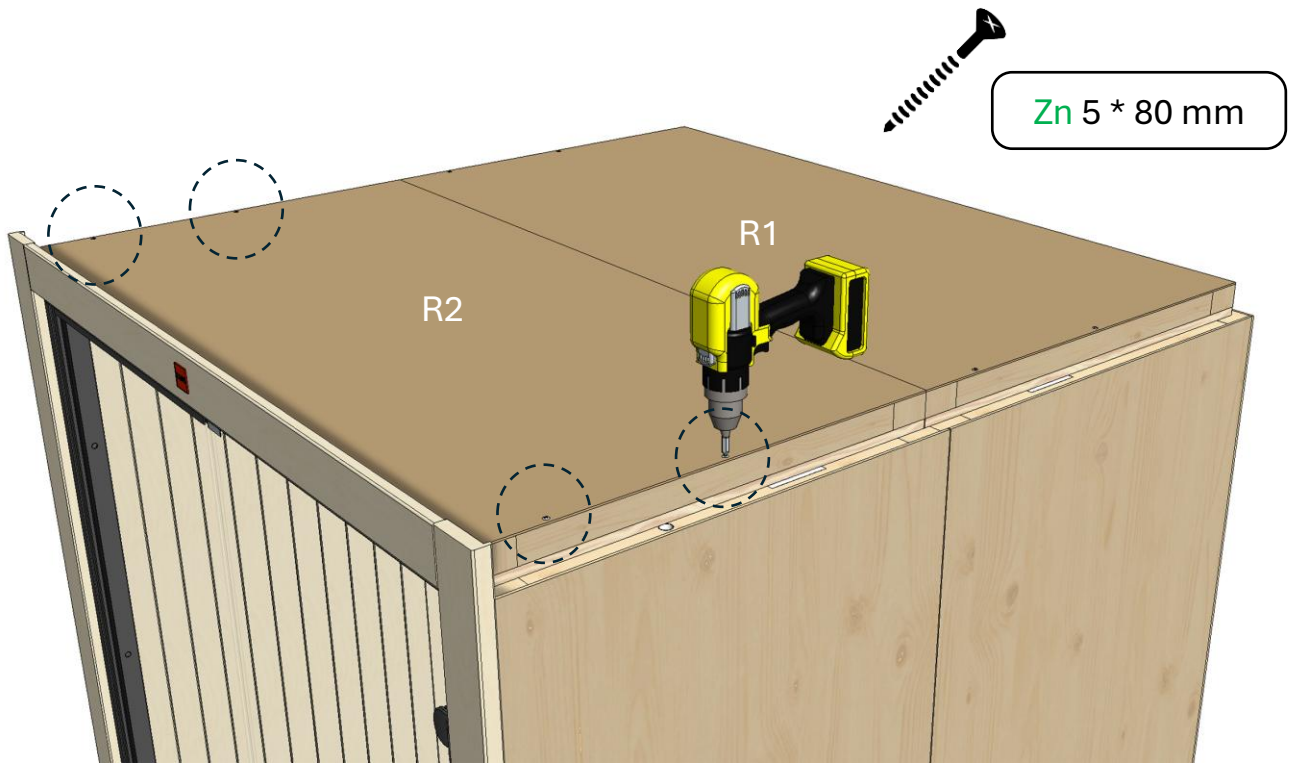
# VERTICAL FASCIA BOARDS

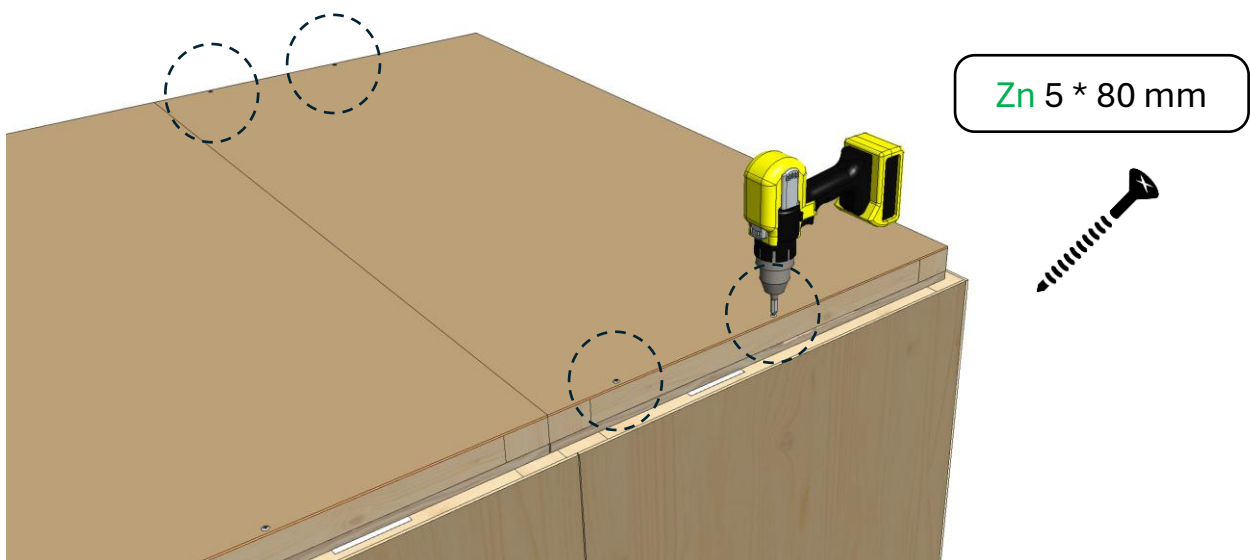
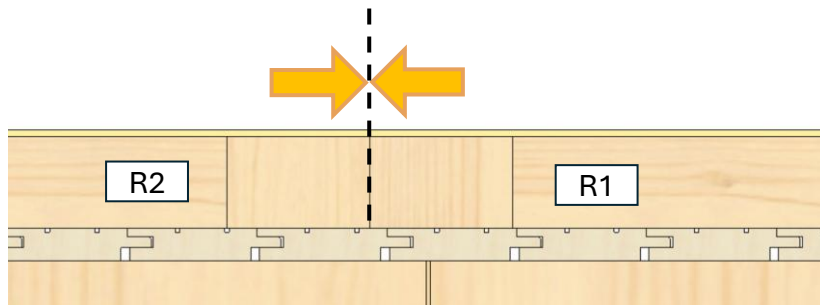
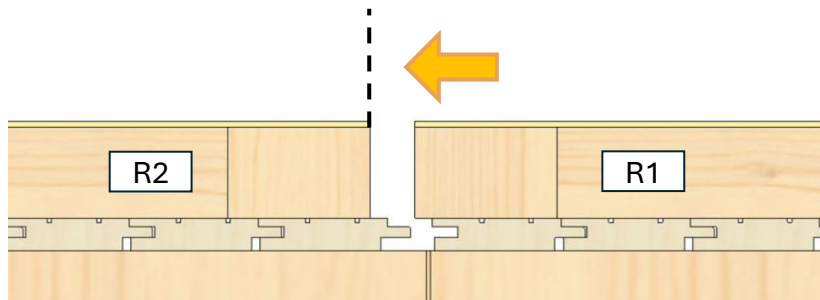
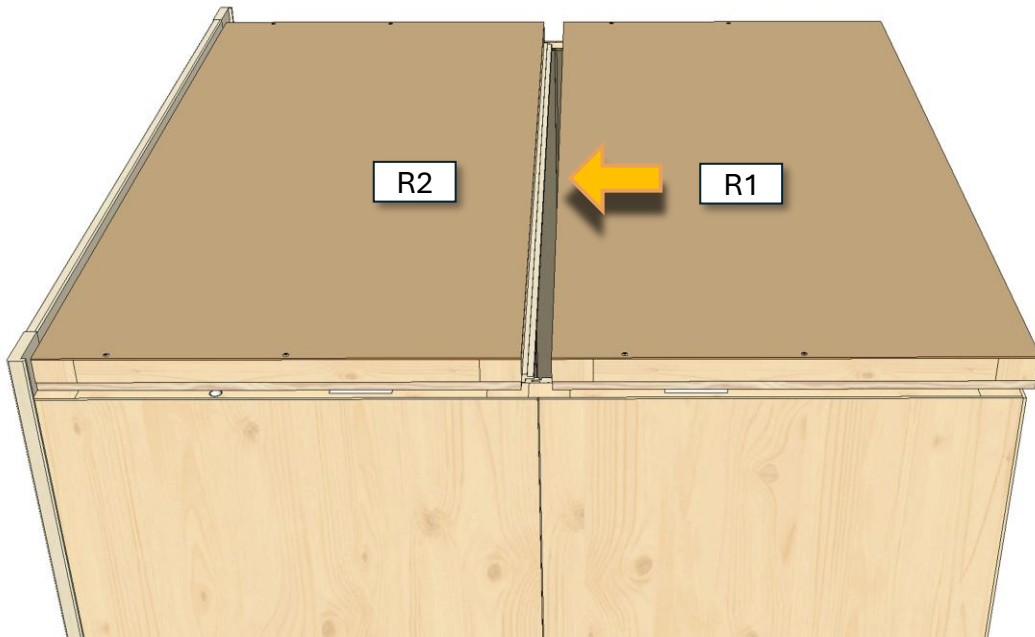




# ROOF ELEMENTS





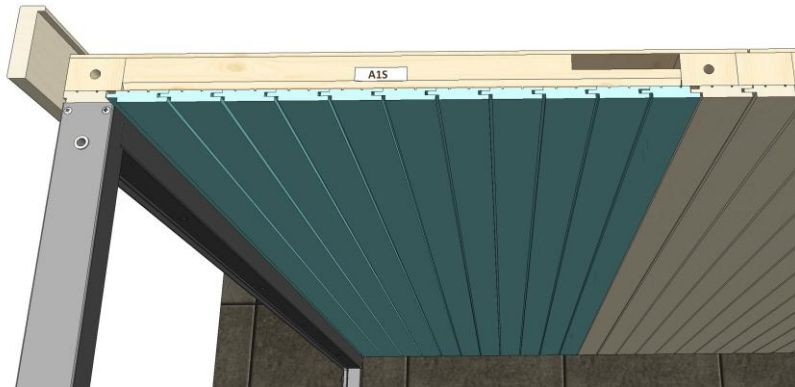
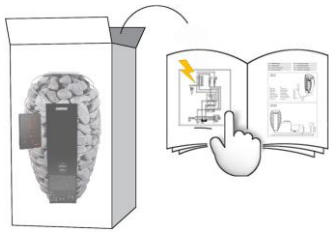
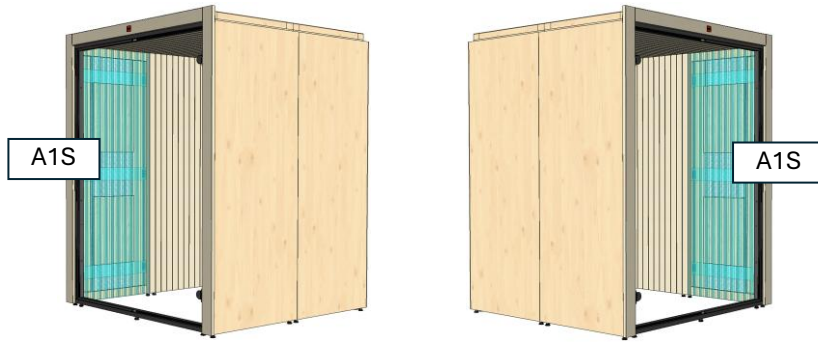


# HEATER AND ELECTRICS

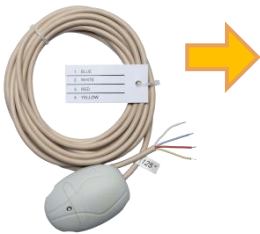


Right handed sauna

Left handed sauna

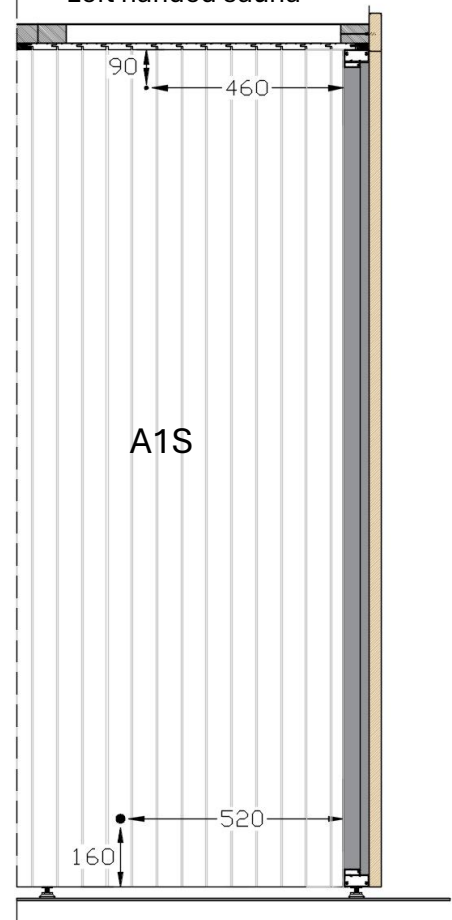
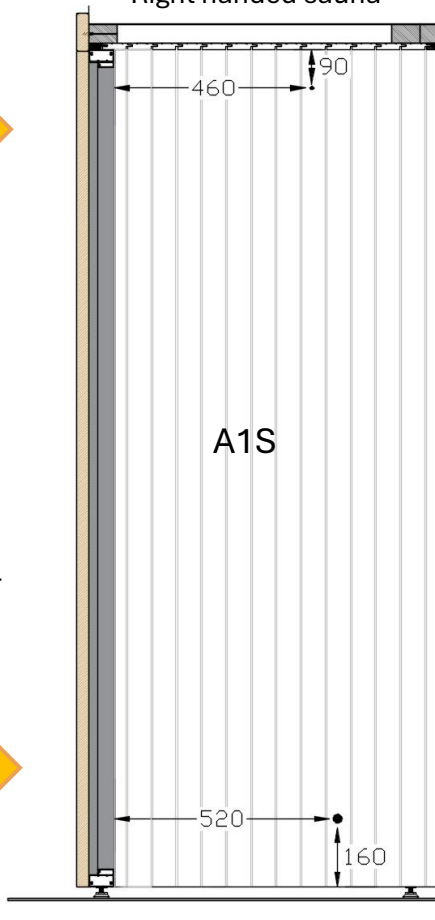


Hole for temperature sensor cable  $\varnothing$  8 mm



Right handed sauna

Left handed sauna

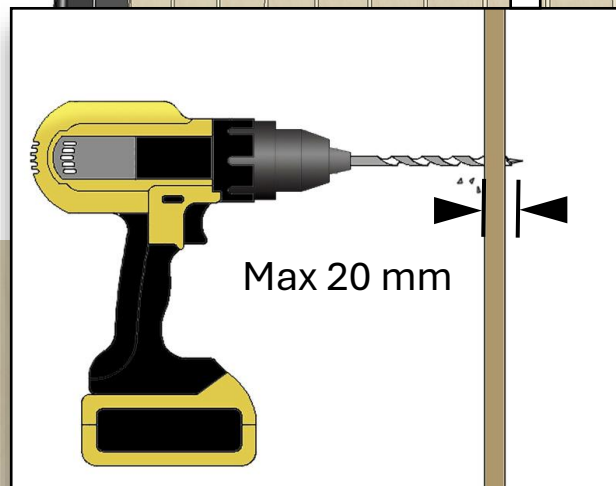
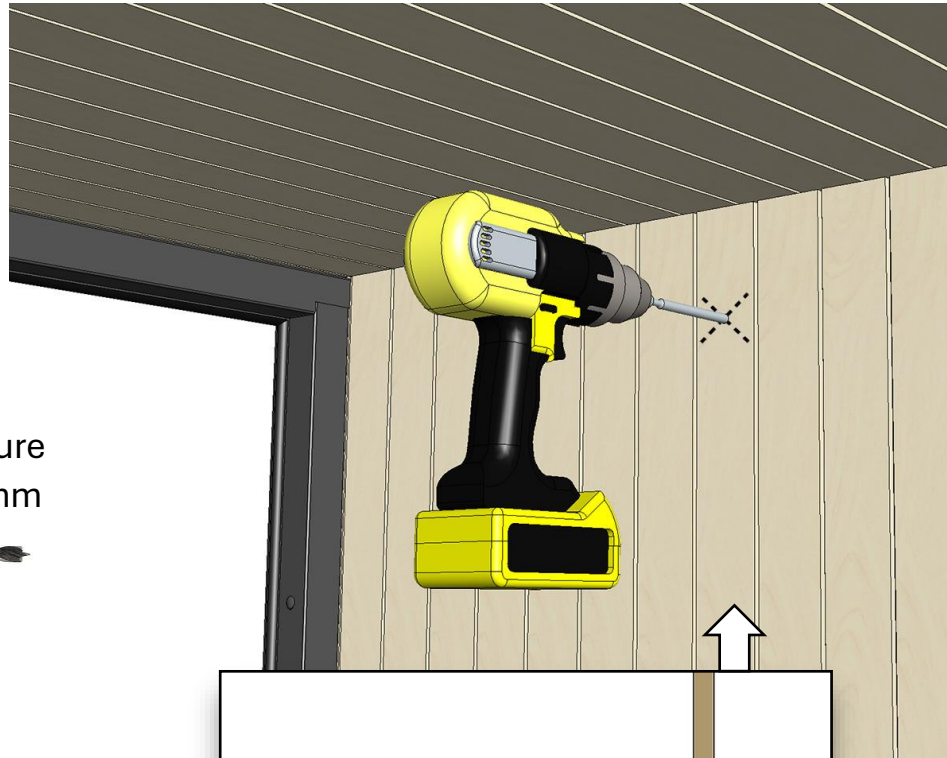


Hole for heater power cable  $\varnothing$  20 mm

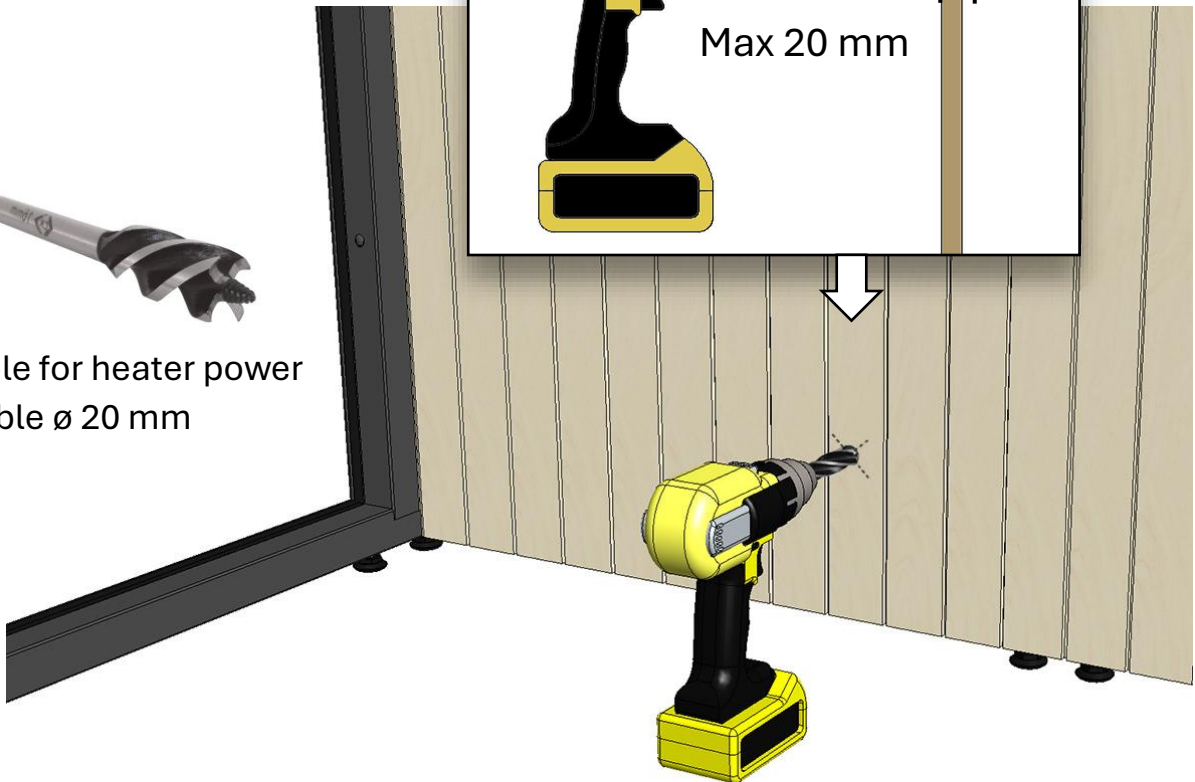


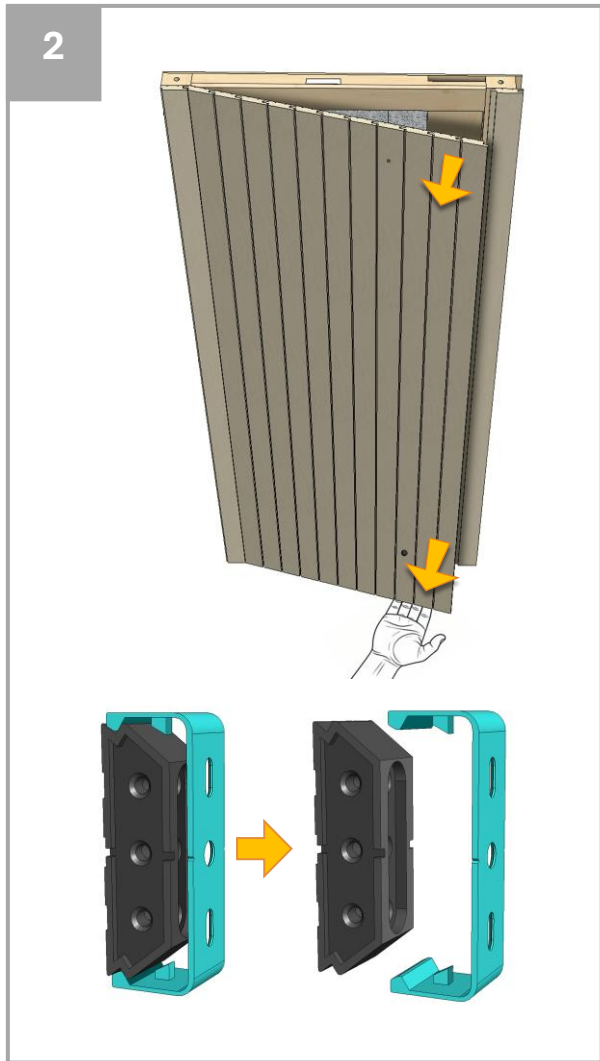
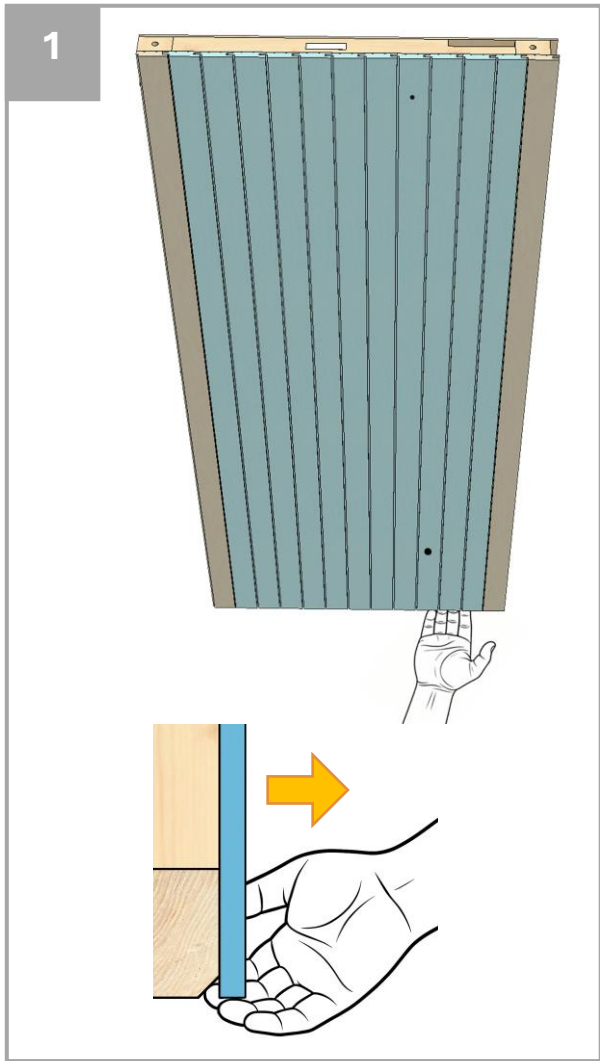


Hole for temperature  
sensor cable  $\varnothing$  8 mm

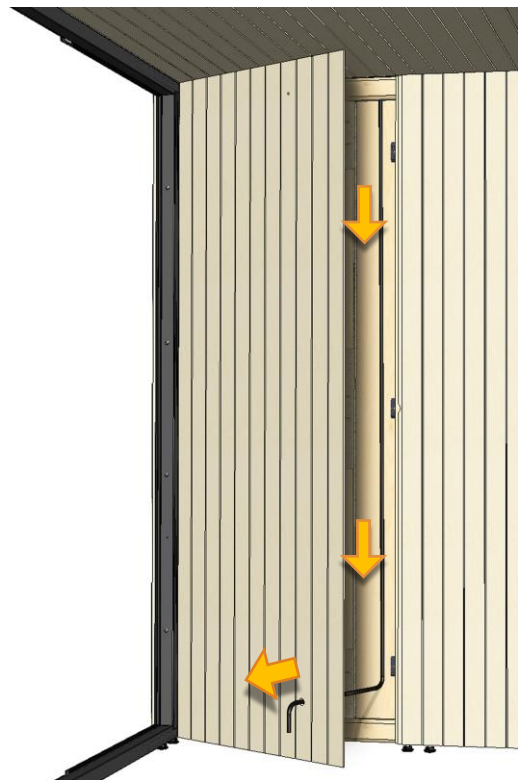
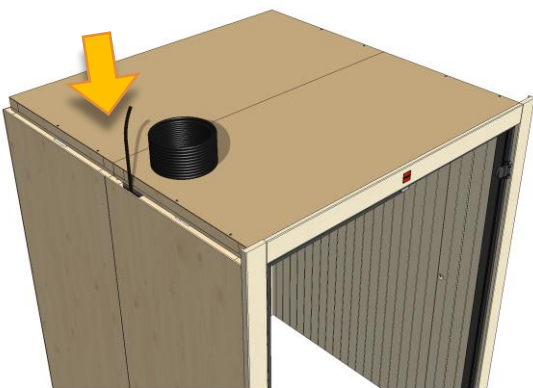


Hole for heater power  
cable  $\varnothing$  20 mm



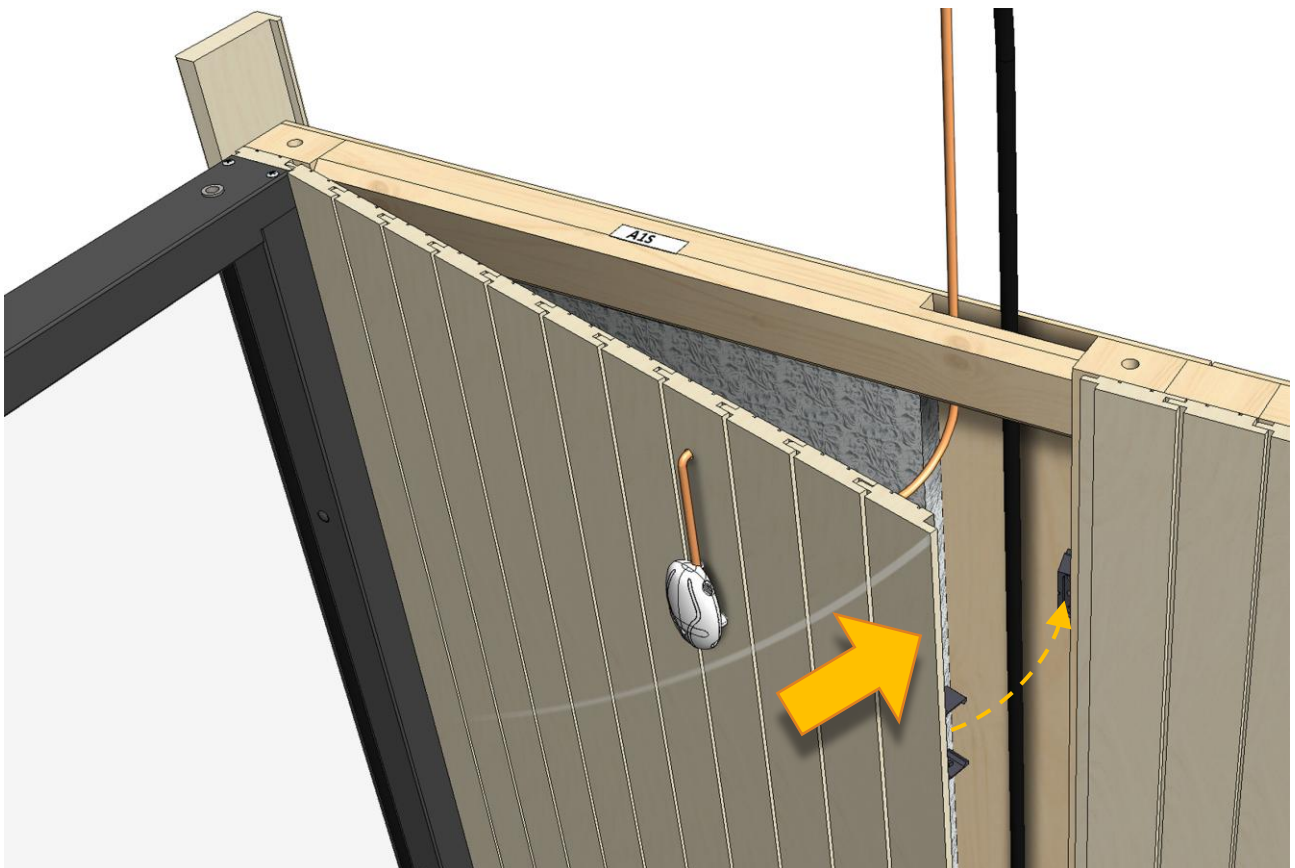
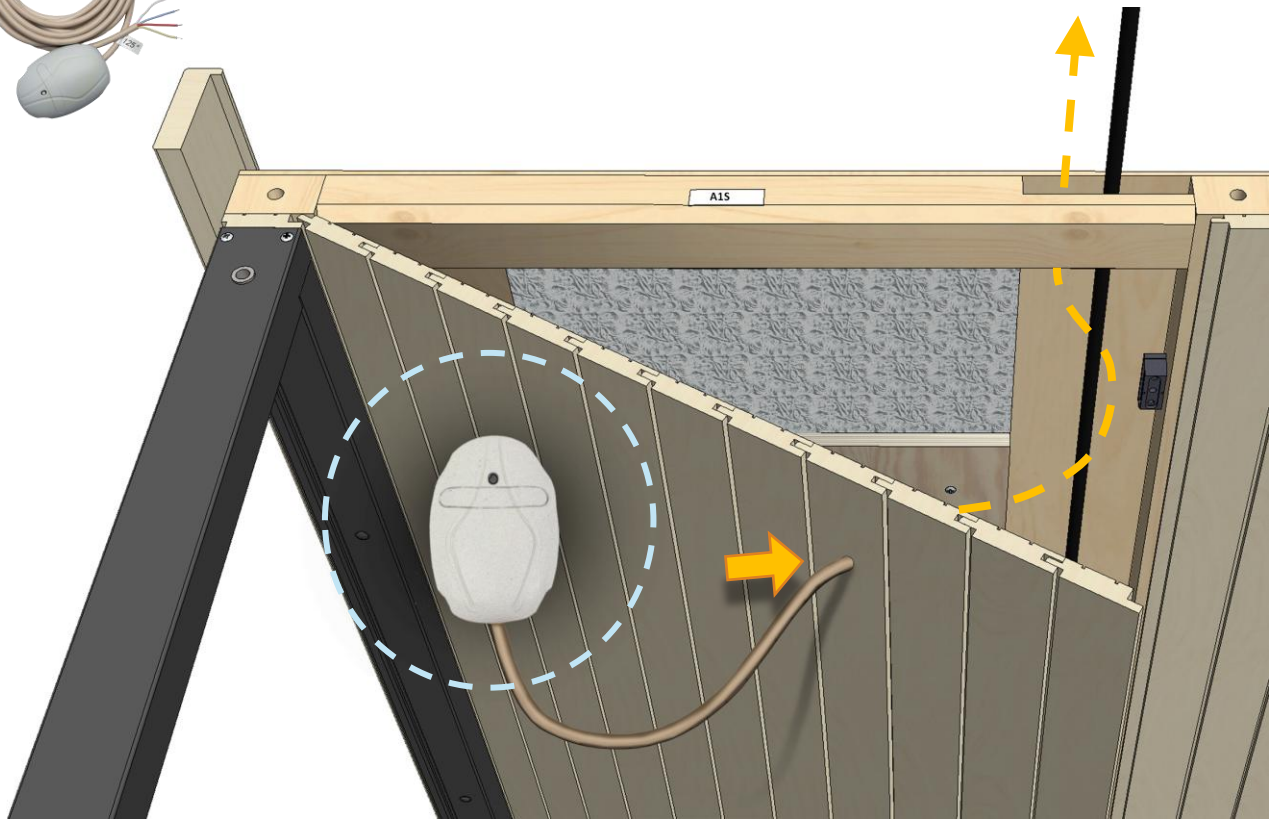


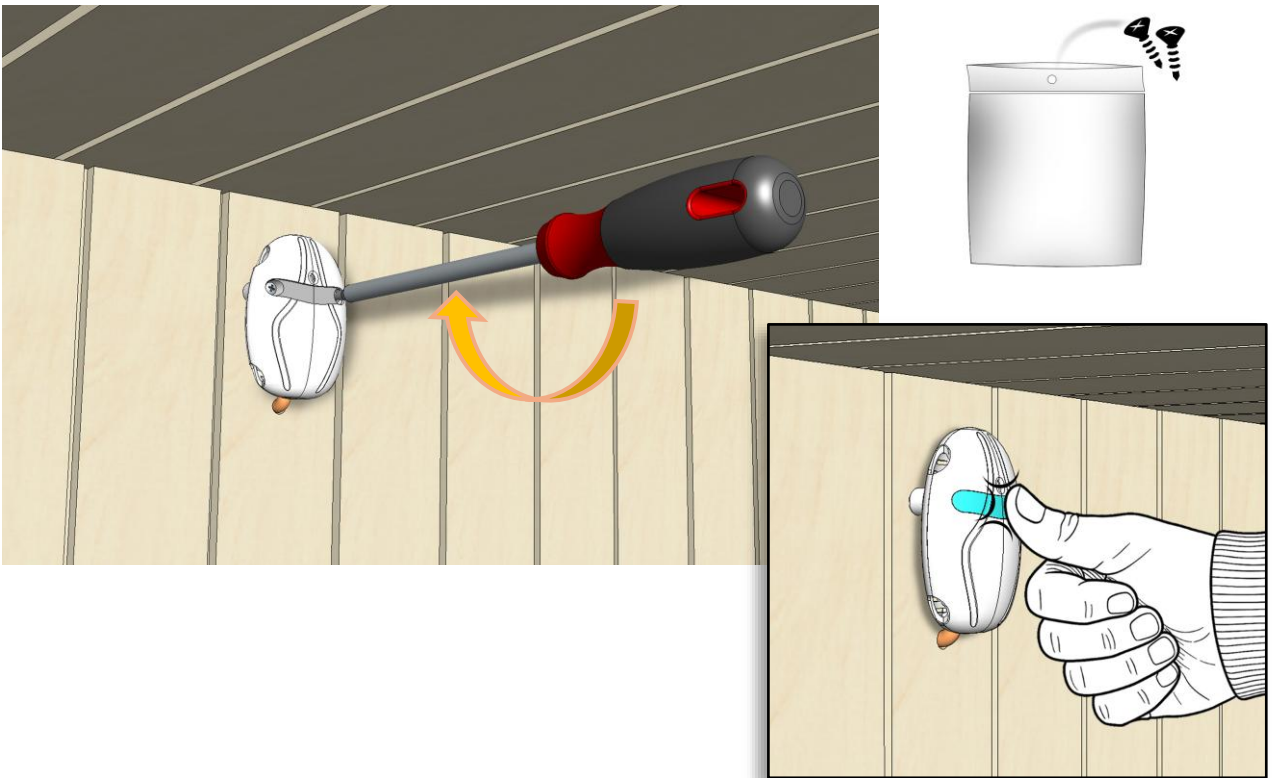
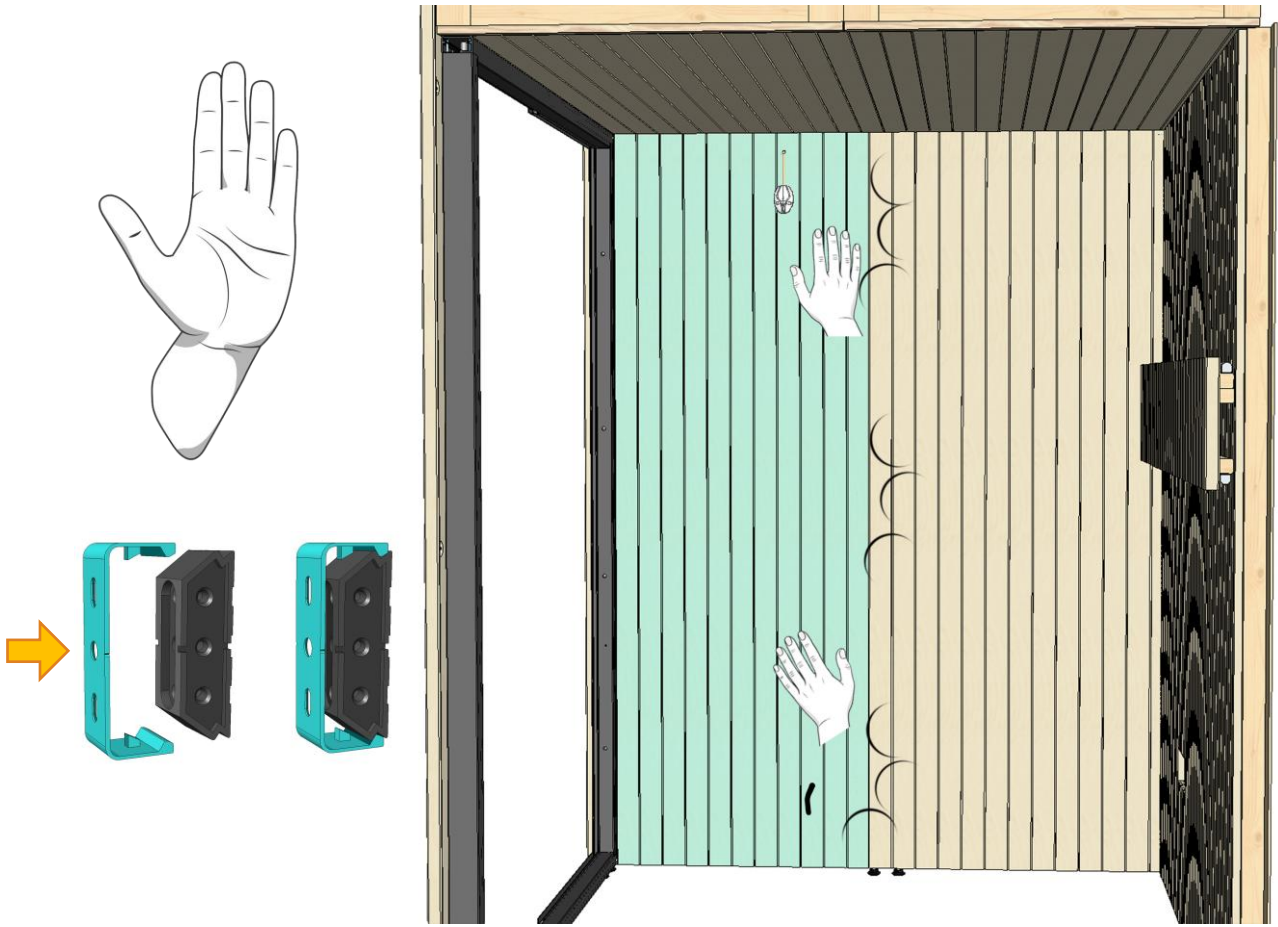
**CABLE FOR HEATER**

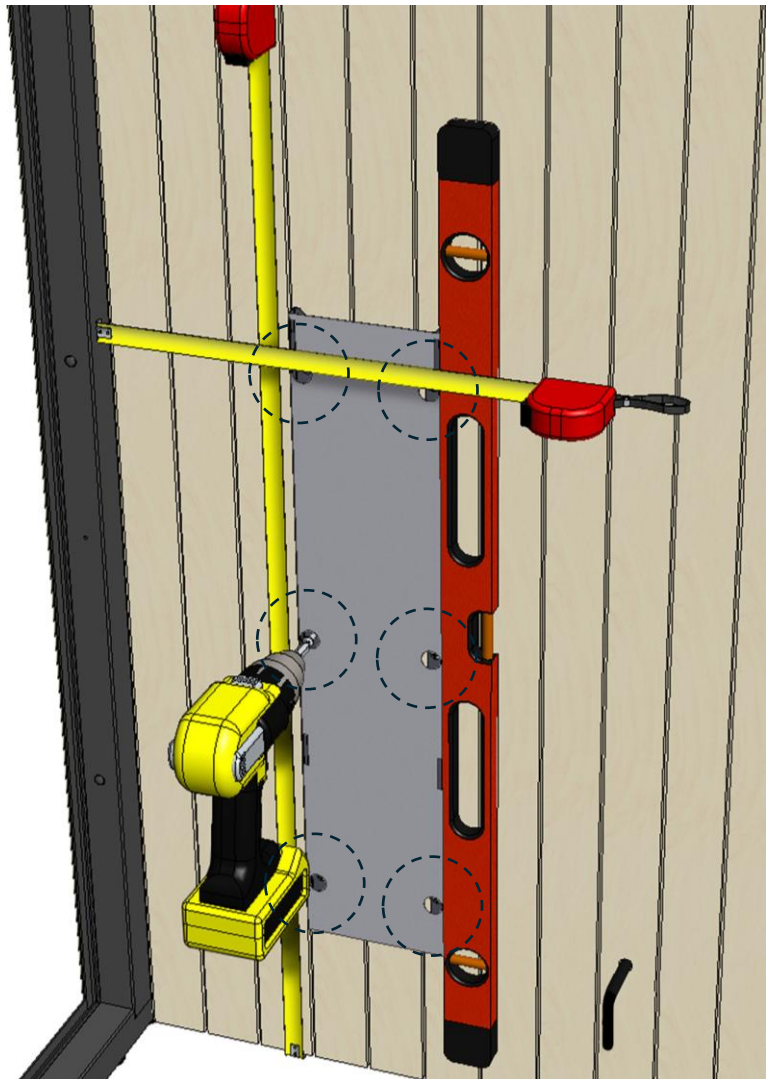
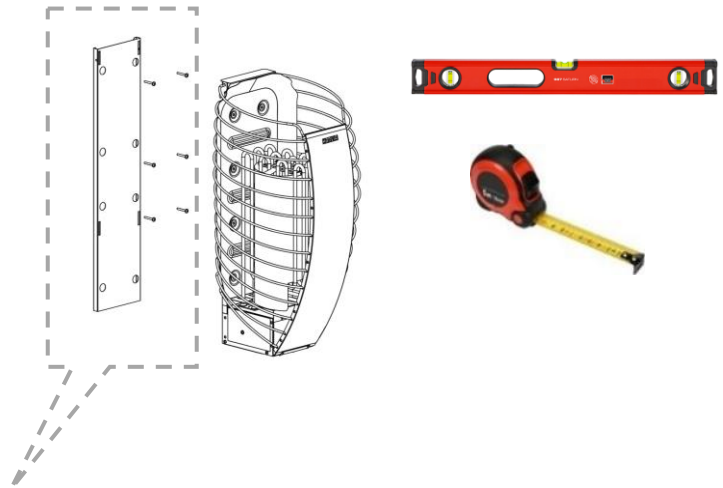
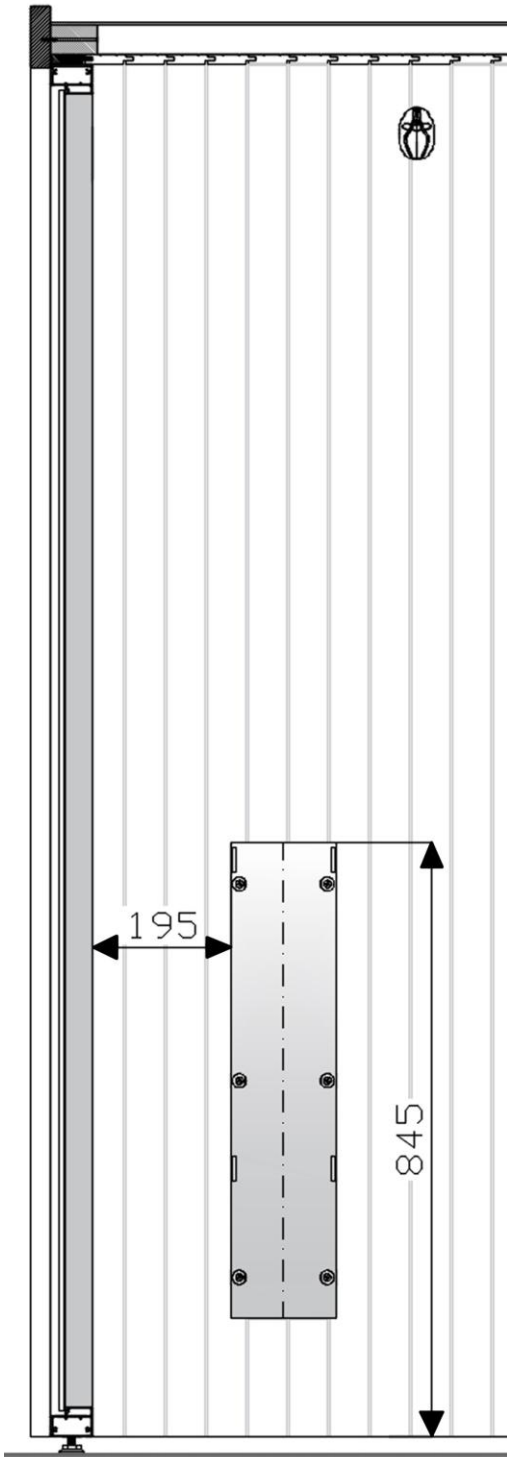


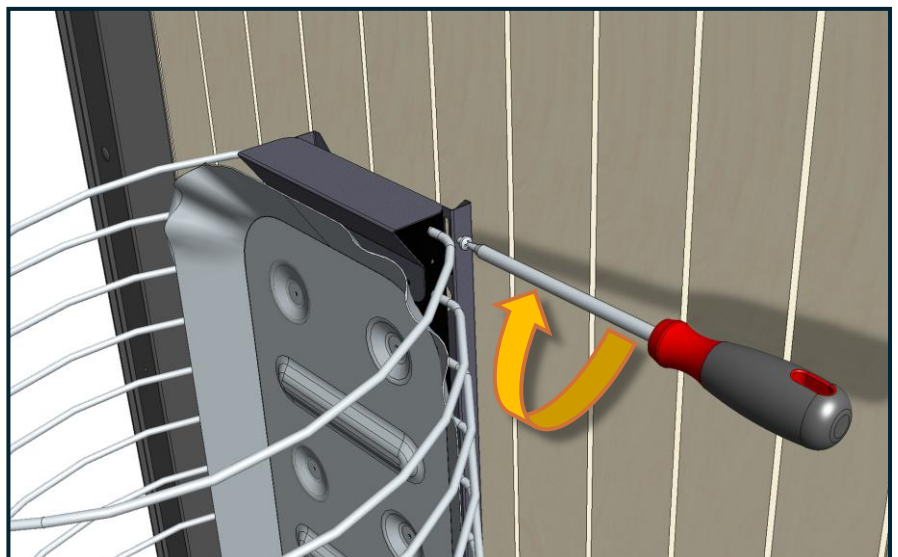
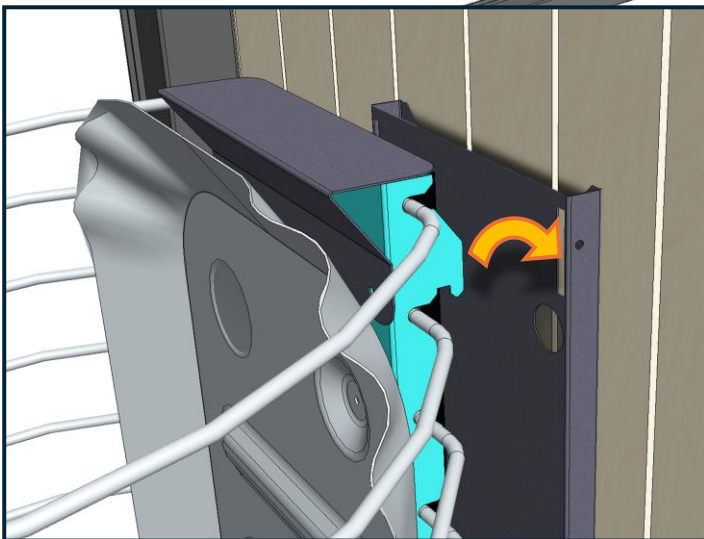
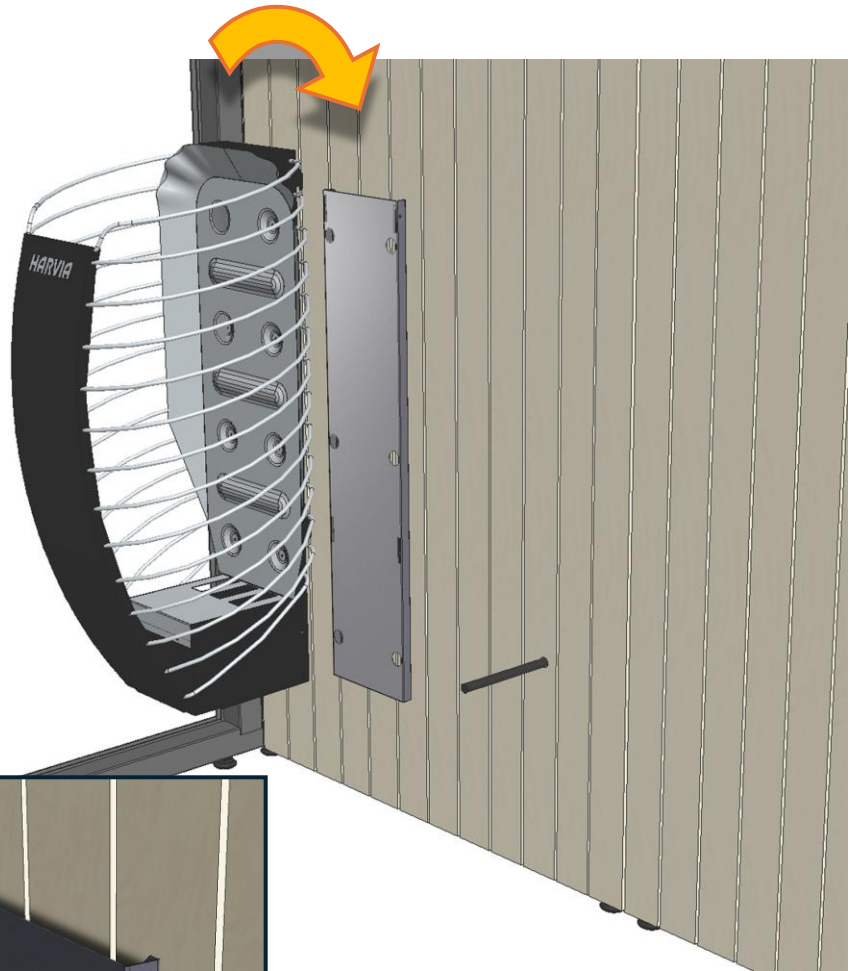
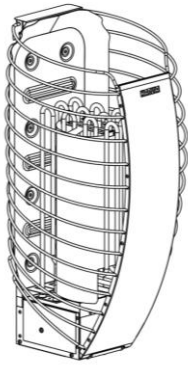


**TEMPERATURE SENSOR**

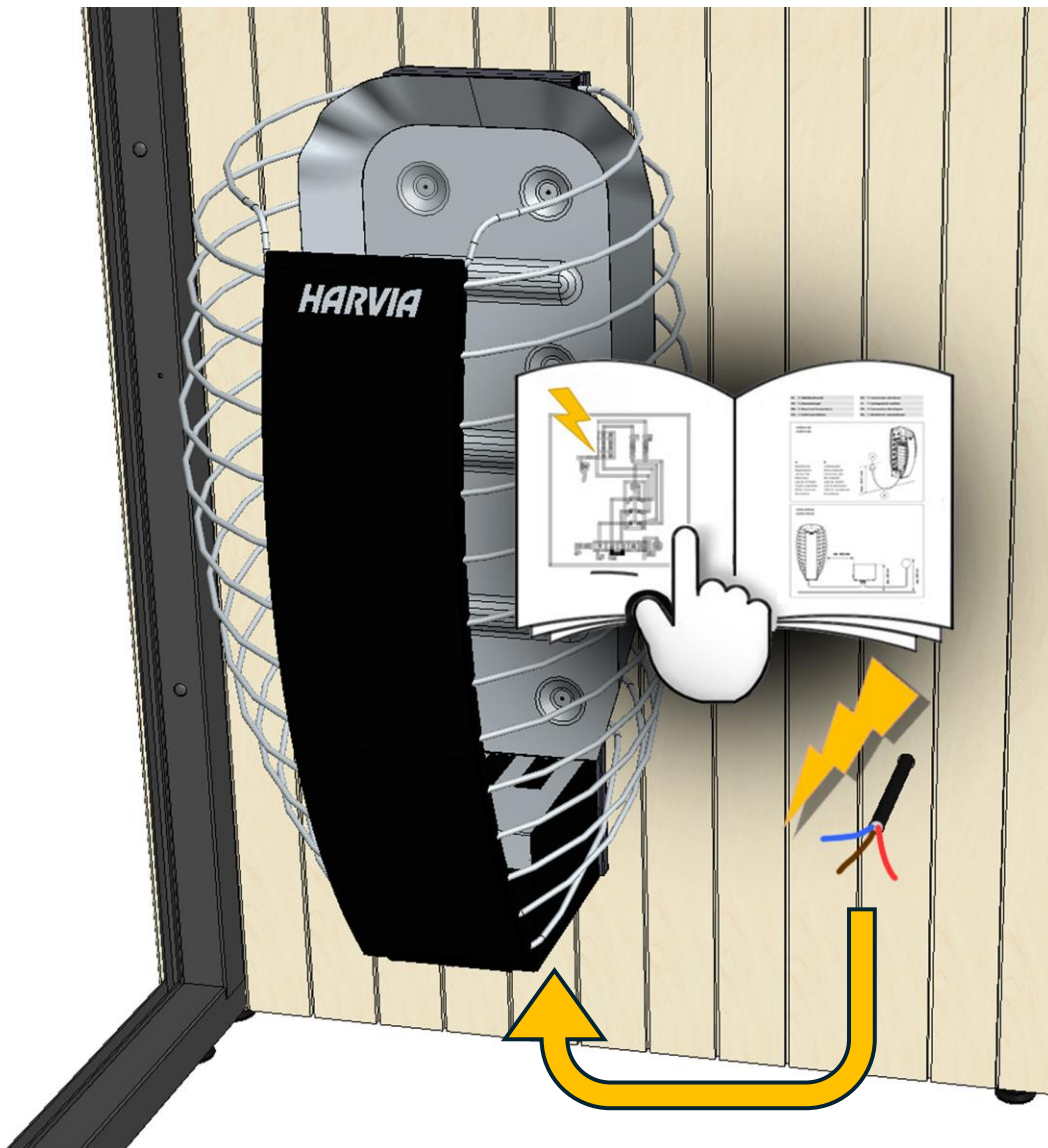








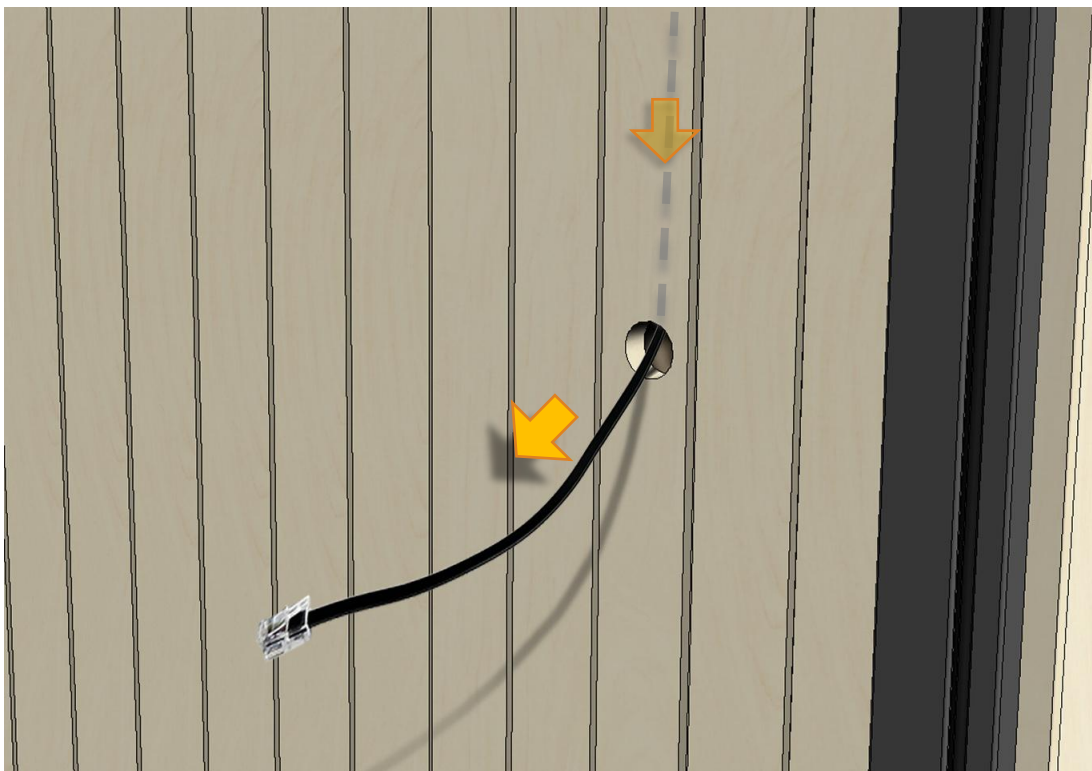
## HEATER CONNECTIONS

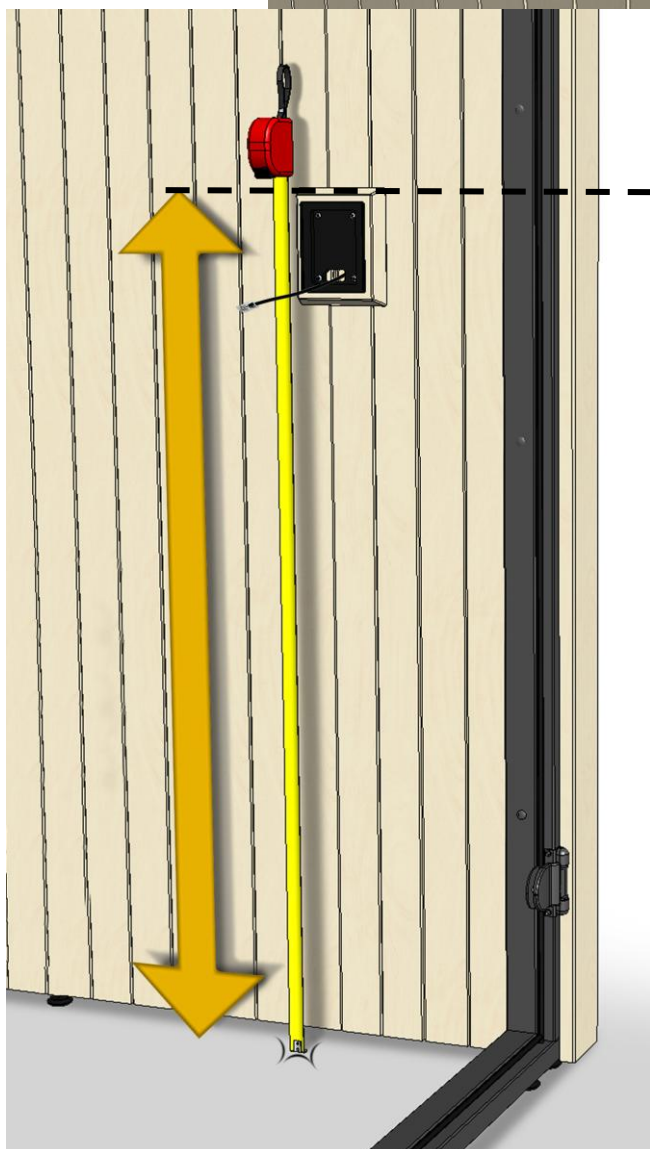
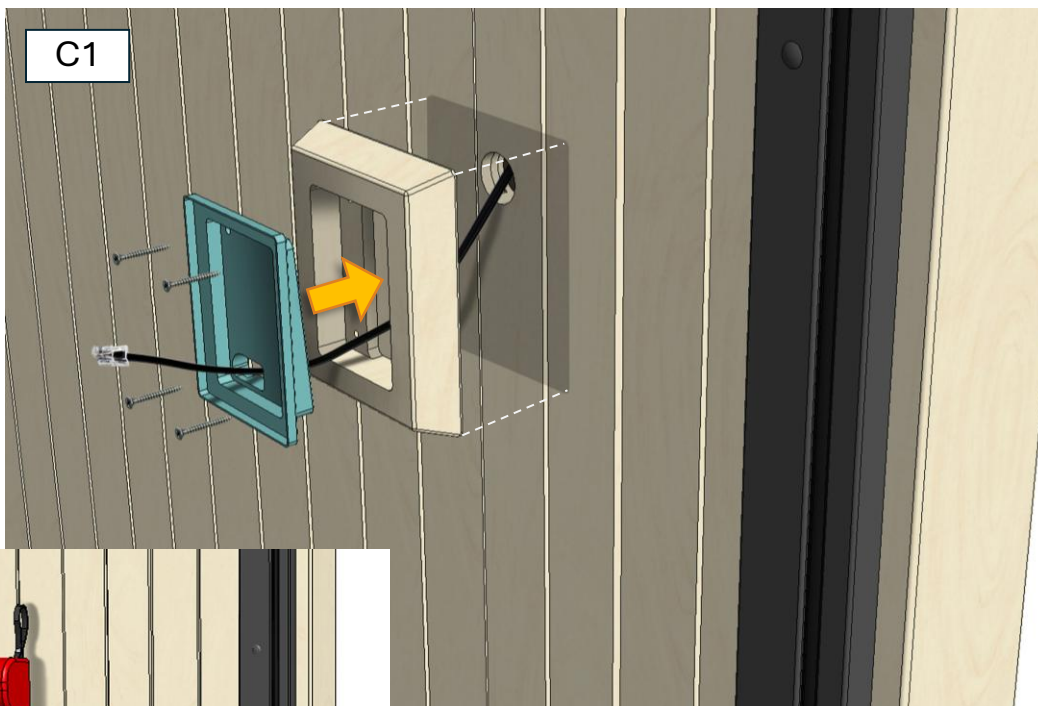
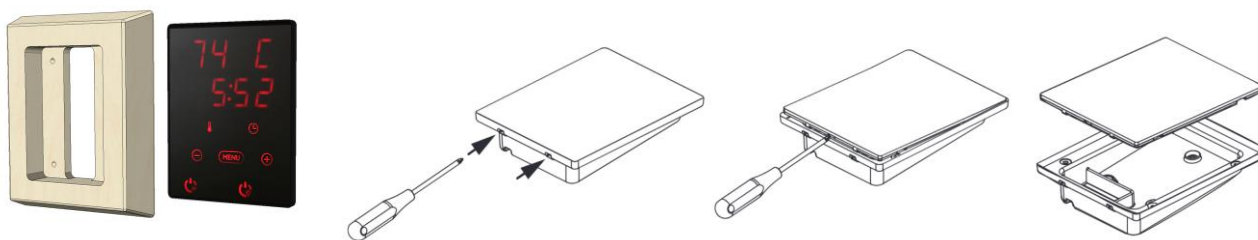


**NOTICE!**  
AUTHORIZED  
ELECTRICIAN ONLY  
CAN INSTALL  
HEATER!

# XENIO CONTROL PANEL

Fenix control panel -> p. 43

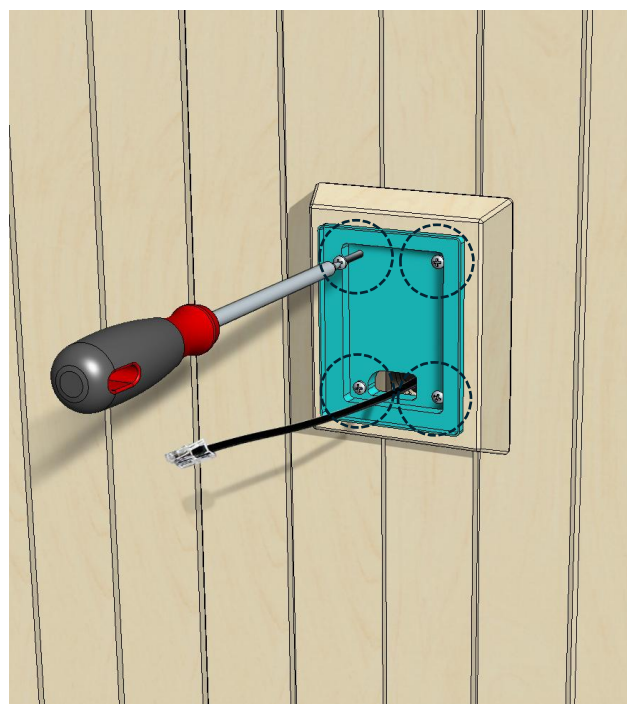


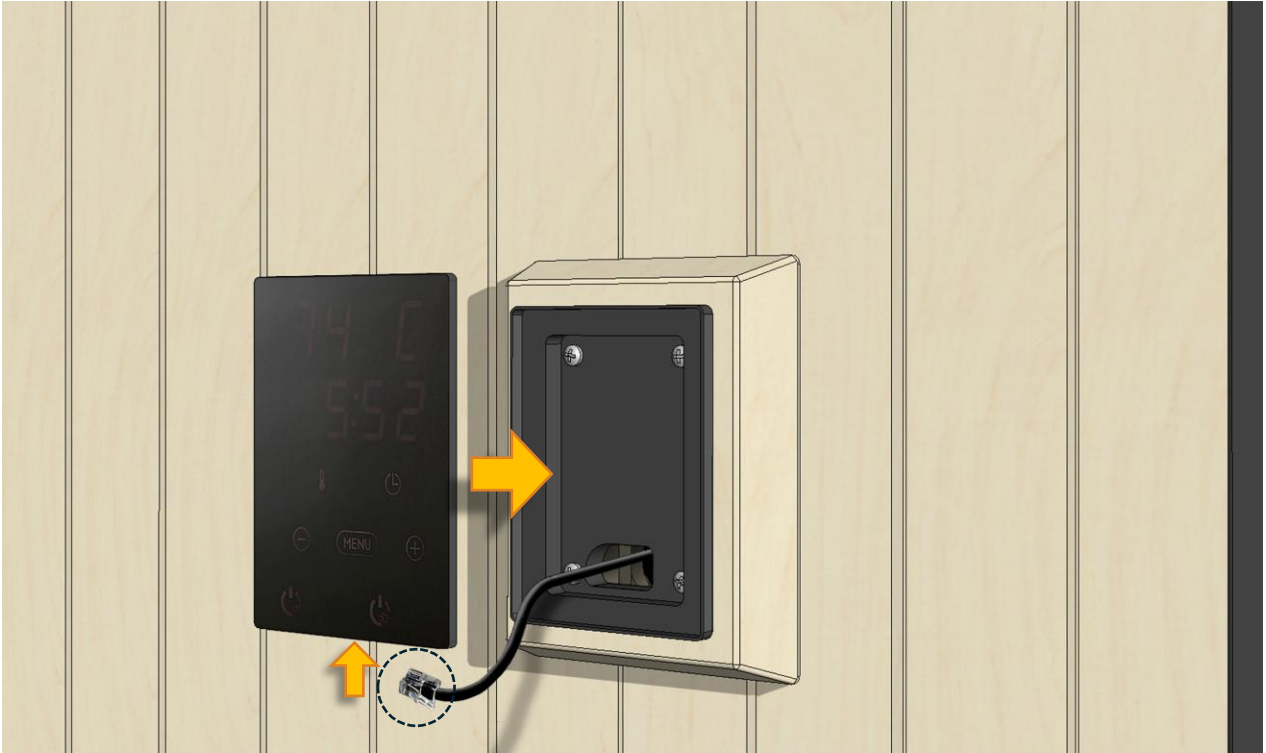


**NOTICE! MAX HEIGHT 1100 mm**



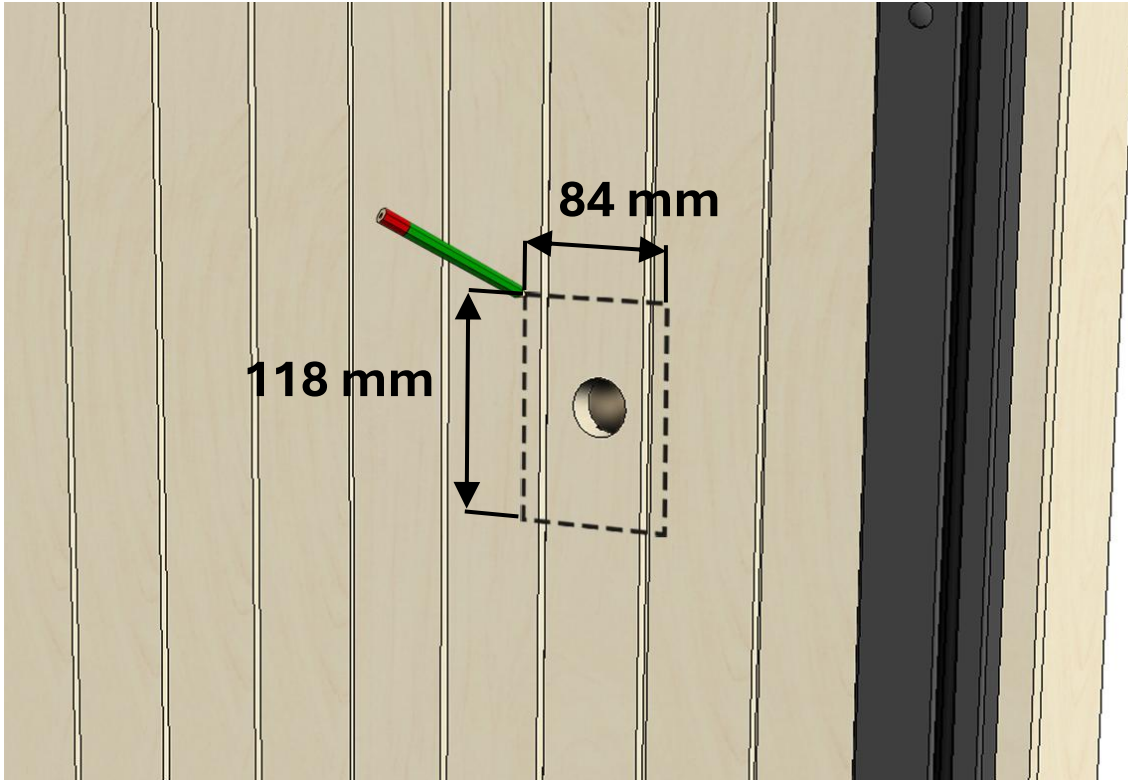
4 pcs Zn 3 \* 25 mm

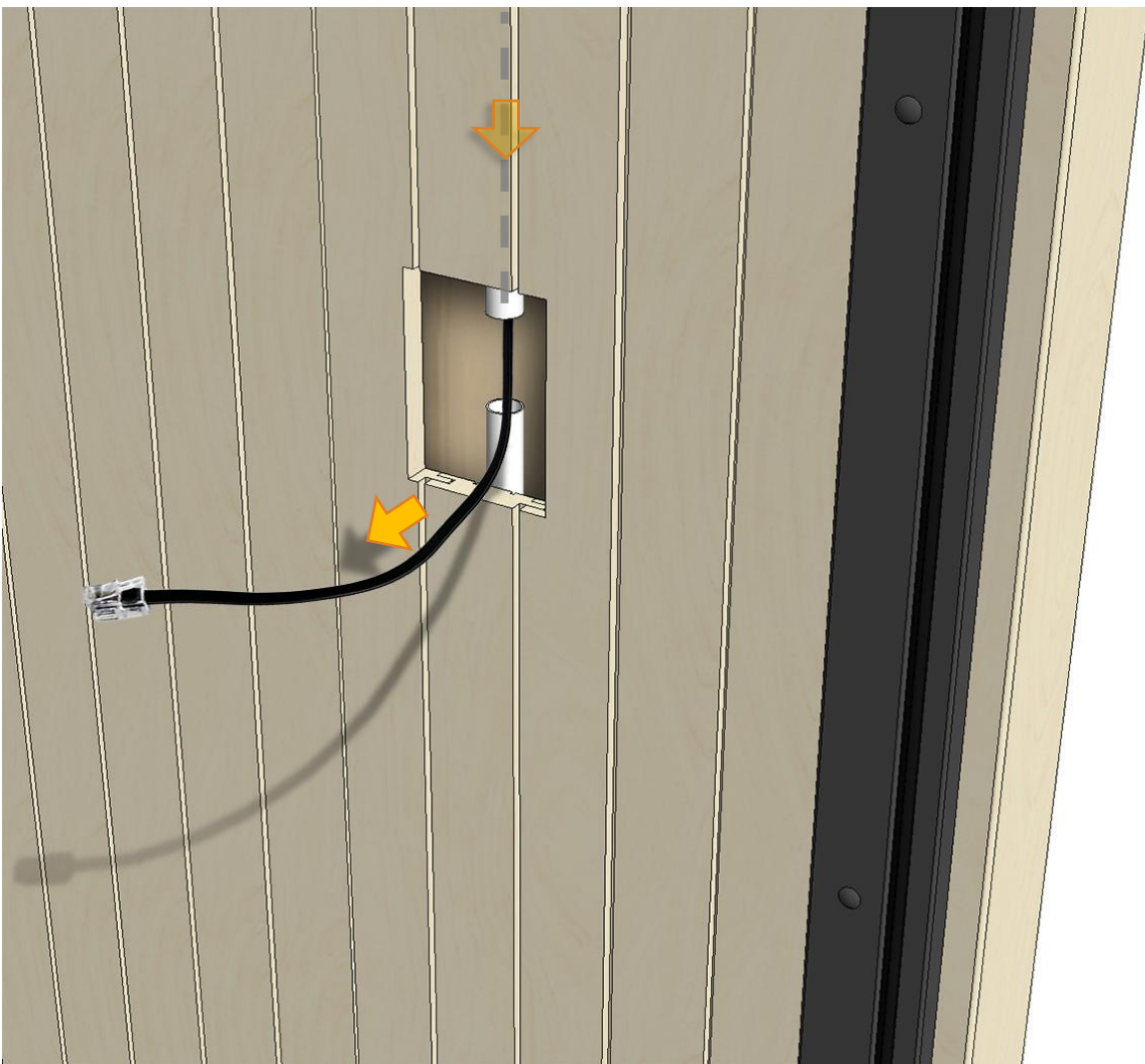
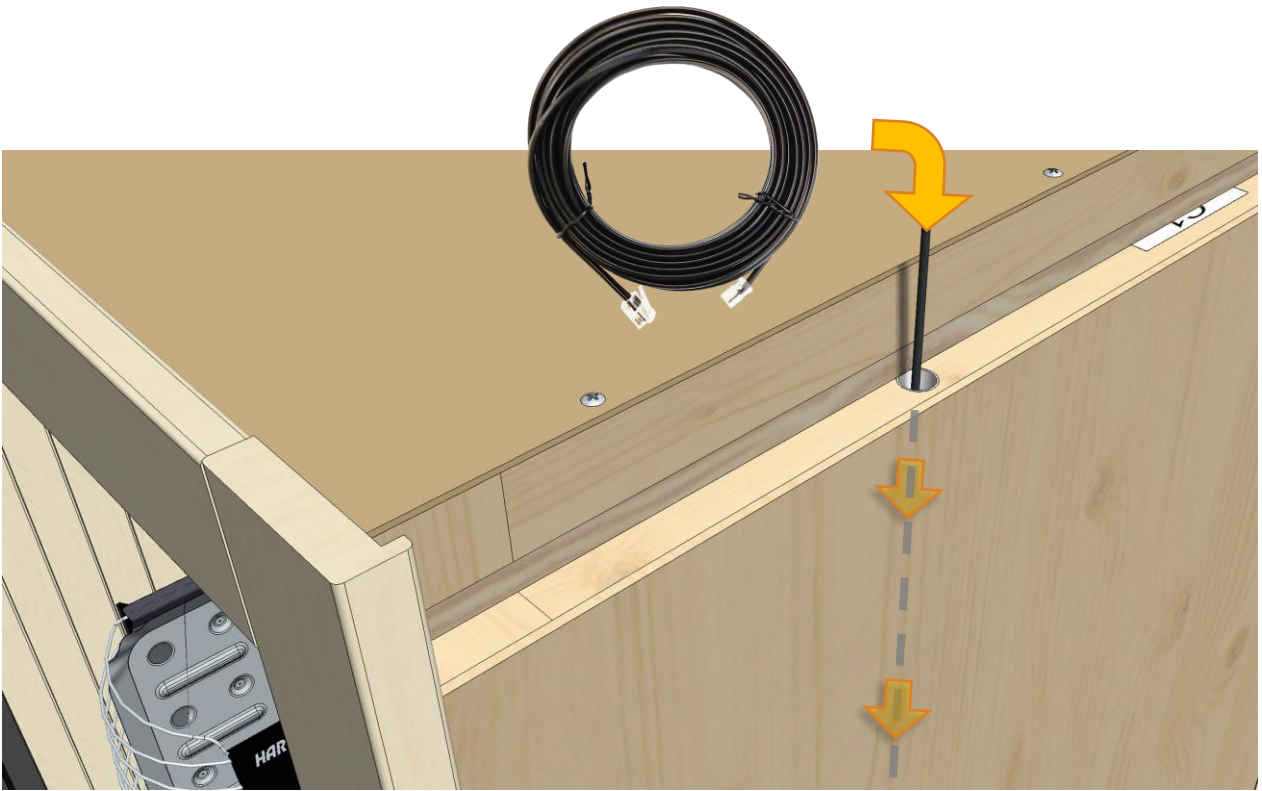


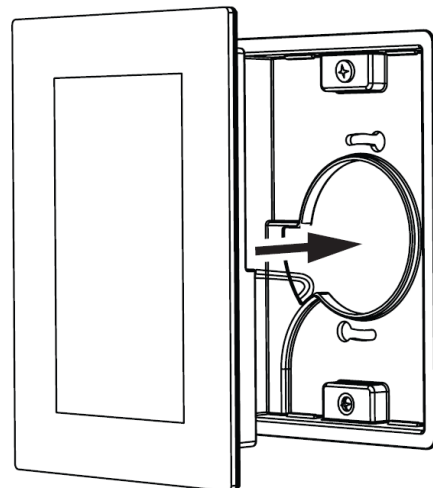
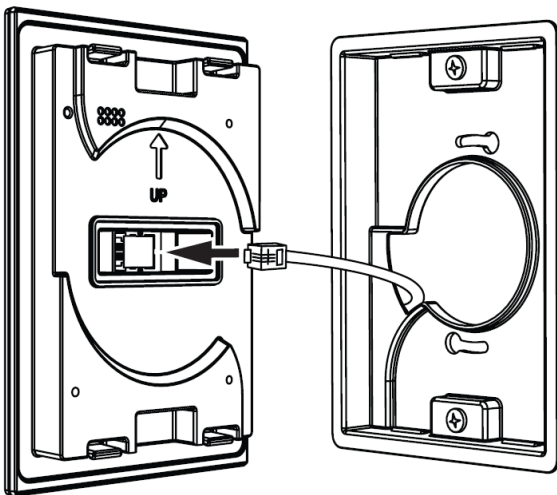
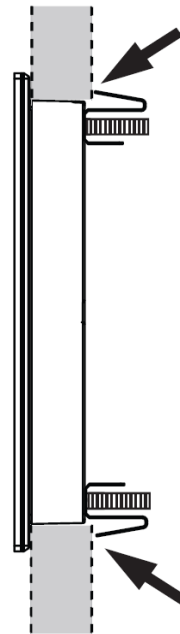
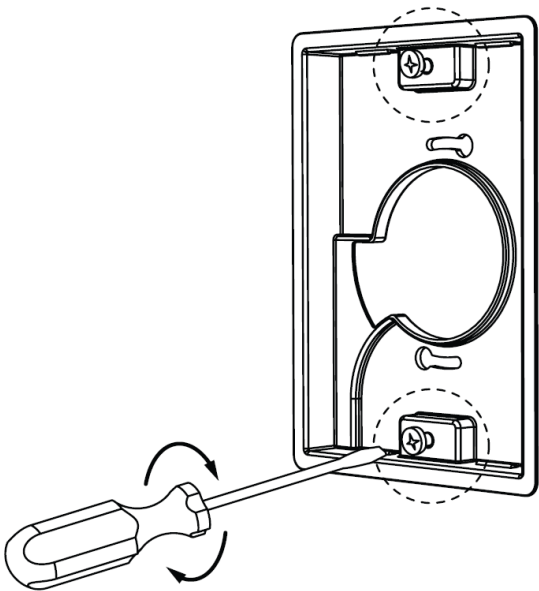
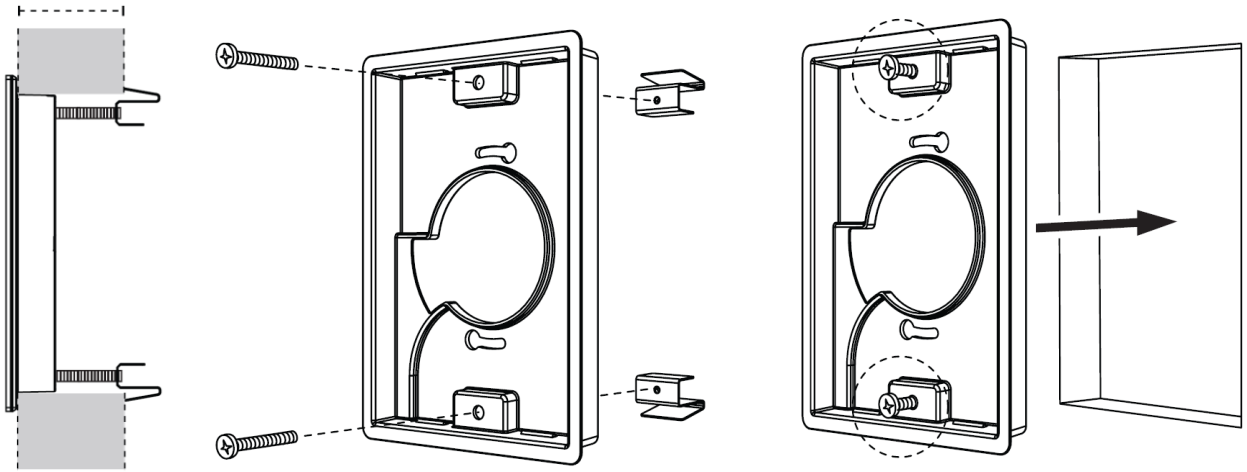


# FENIX CONTROL PANEL

Xenio control panel -> p. 40









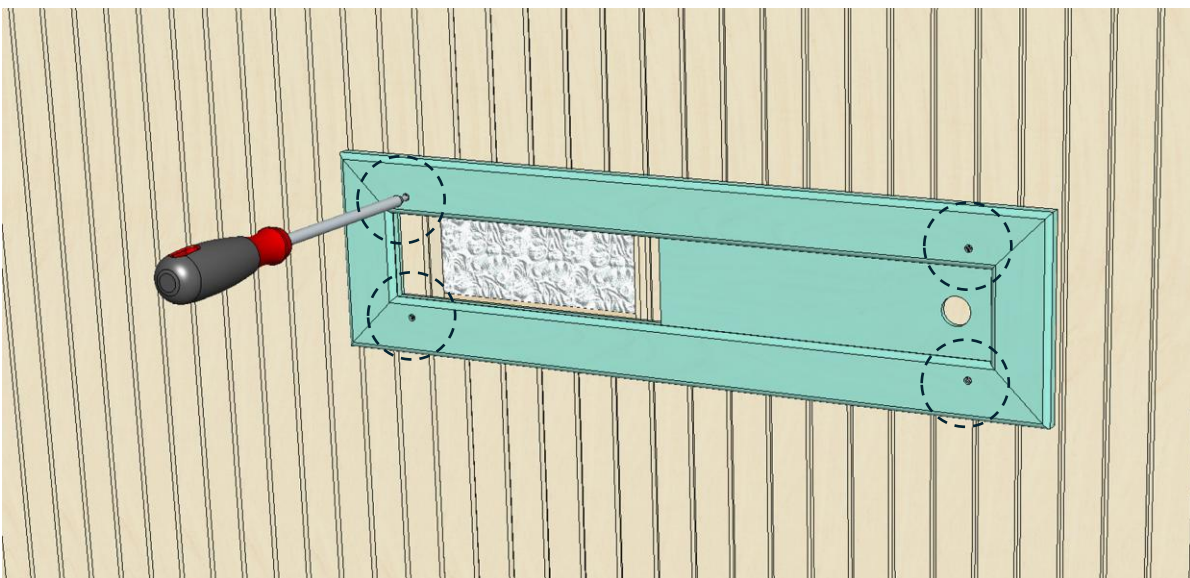
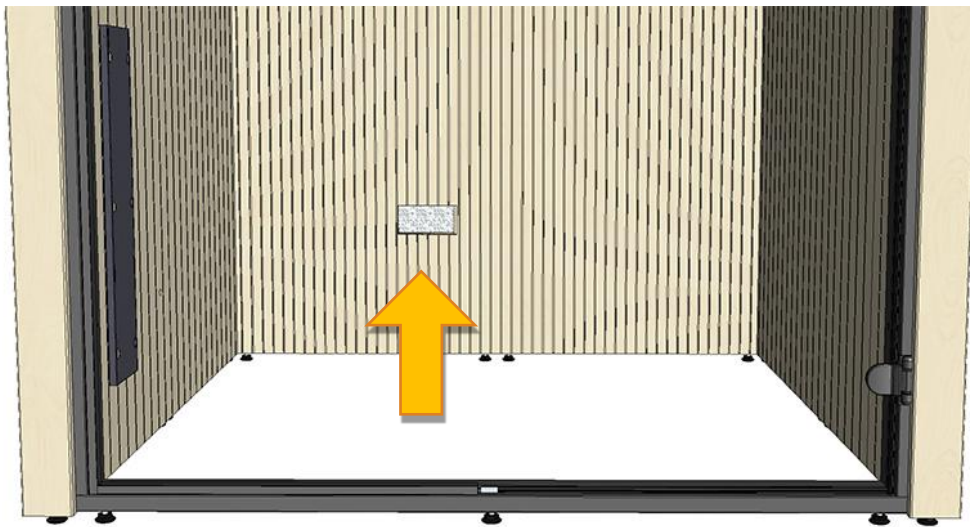
# VENTILATION



402135



3 x  
25 mm

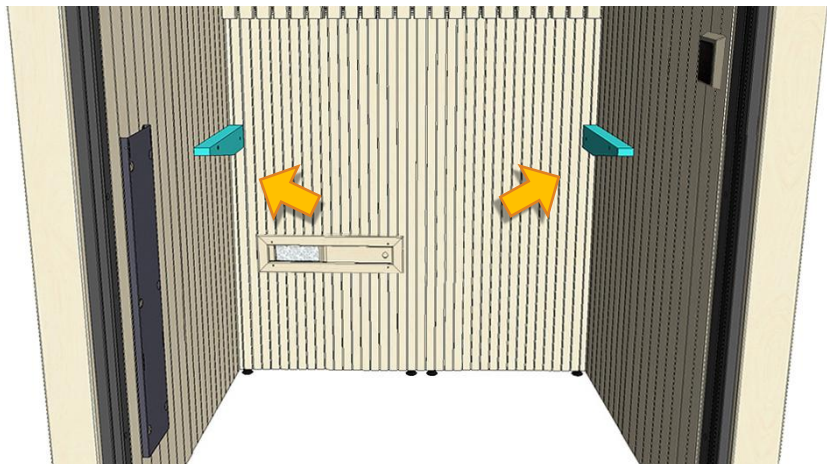
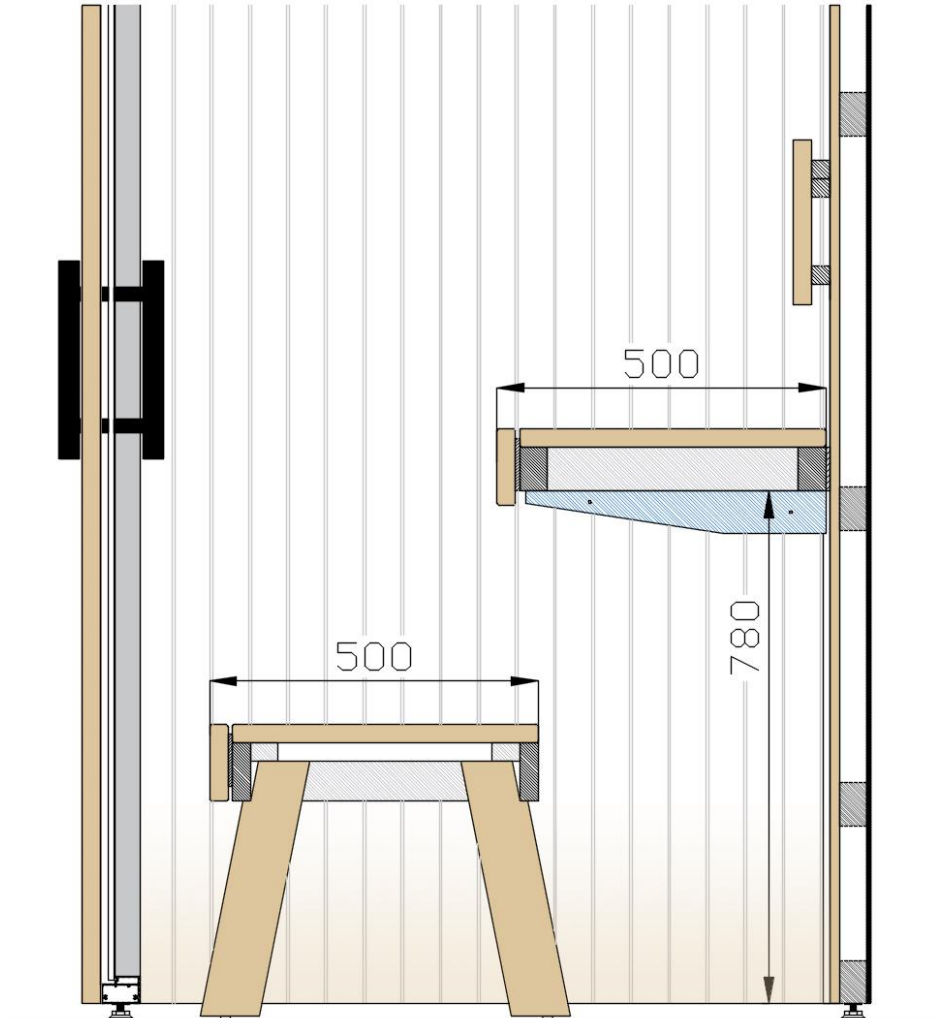


# BENCHES

## Small

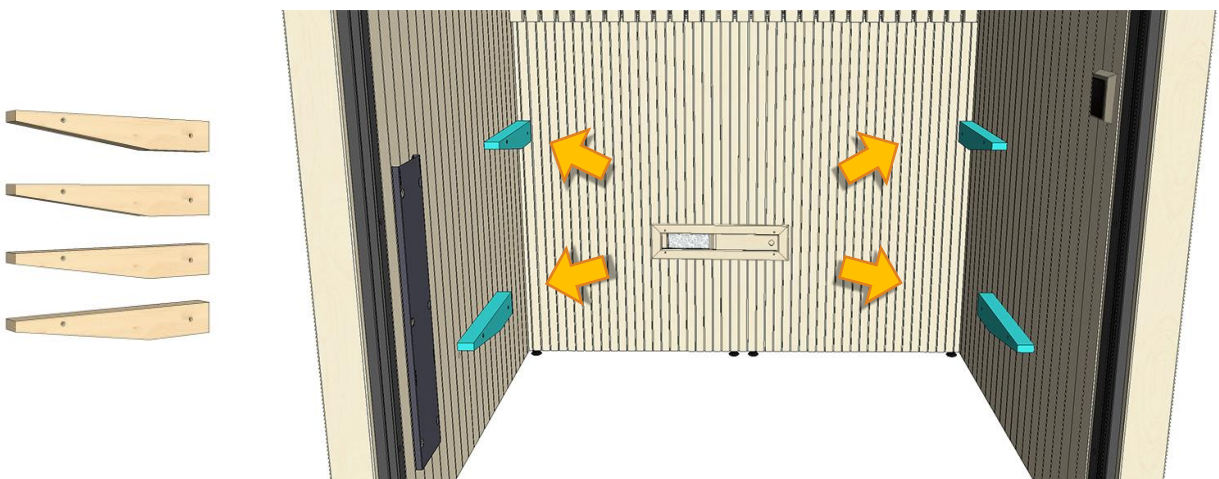
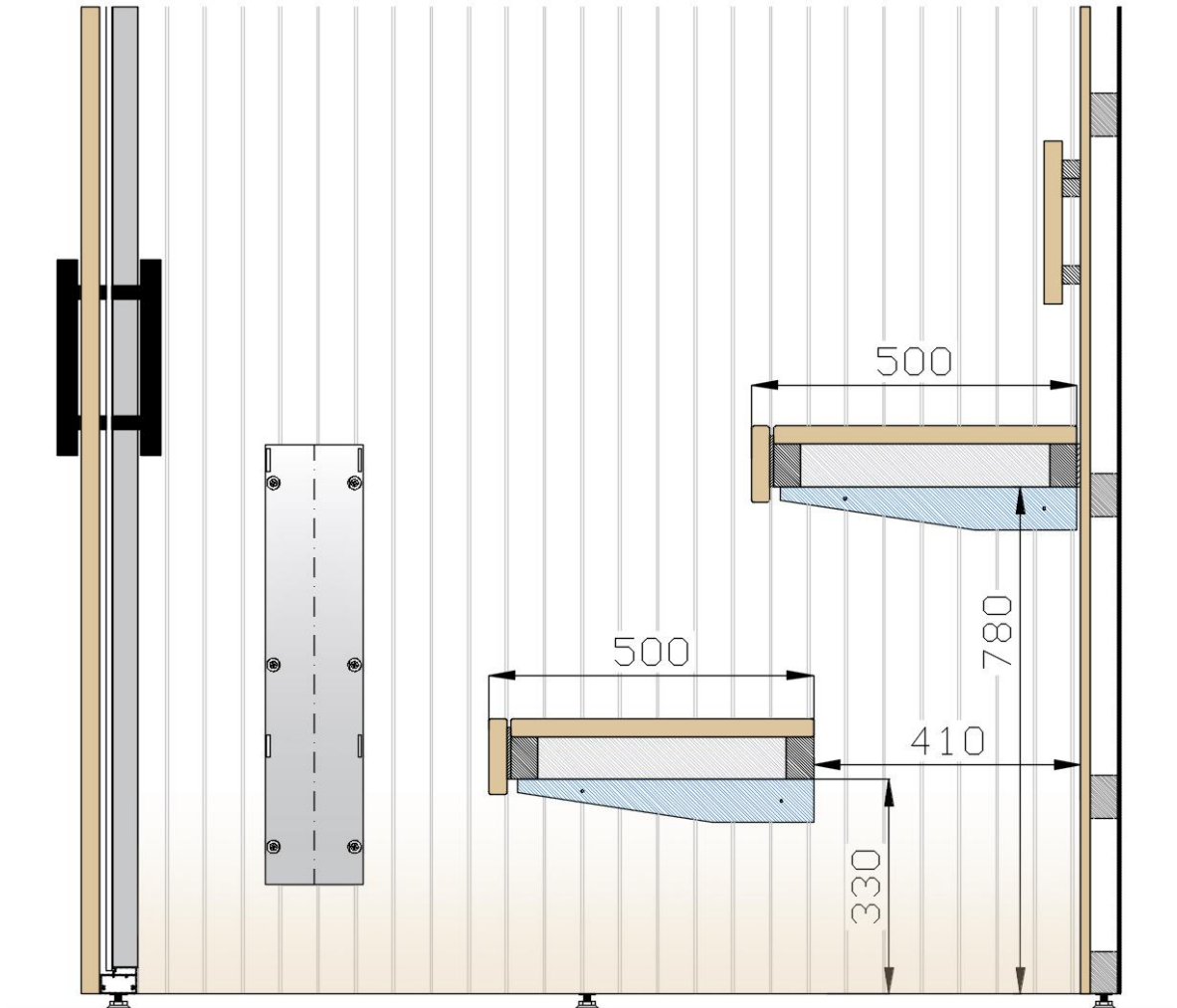
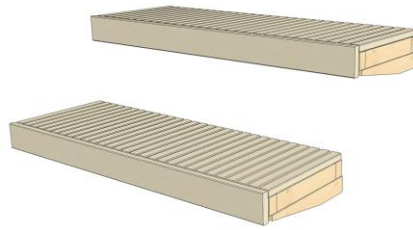
(URW1212FG / URB1212FG)

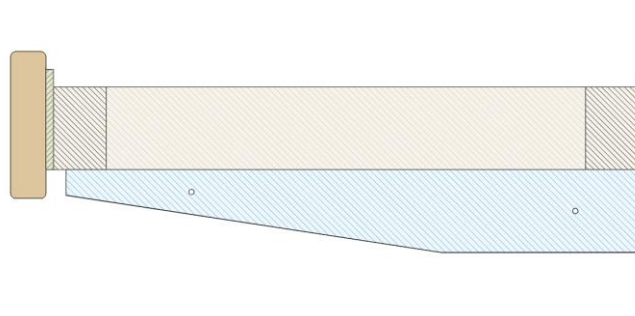
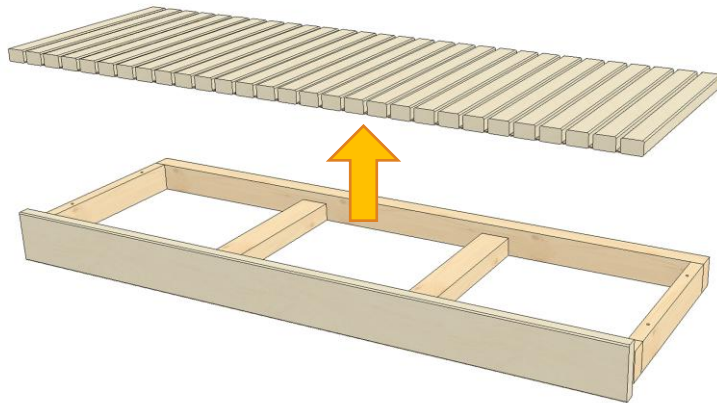
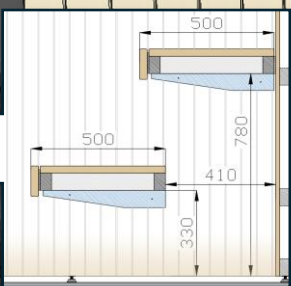
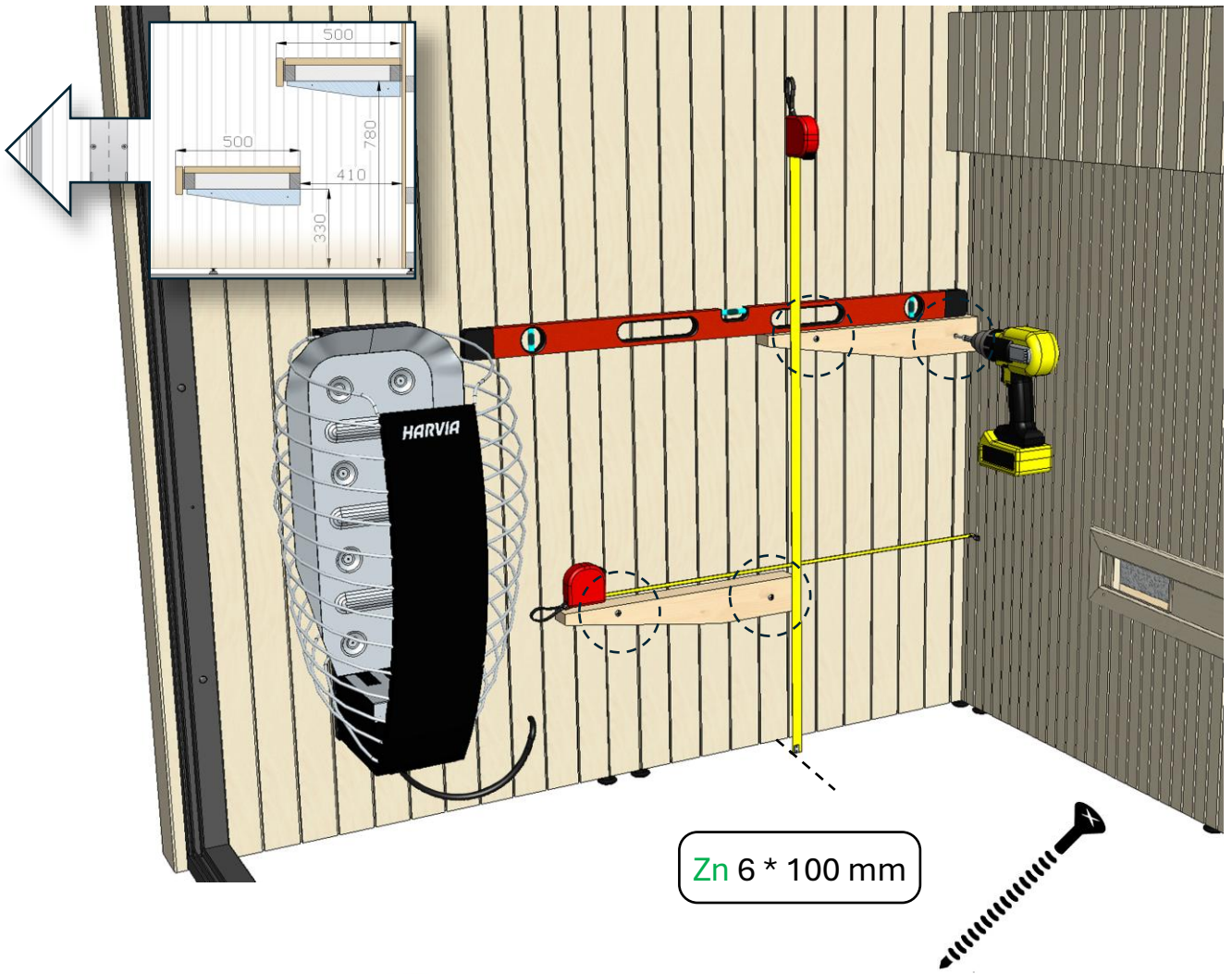
Medium -> p.44

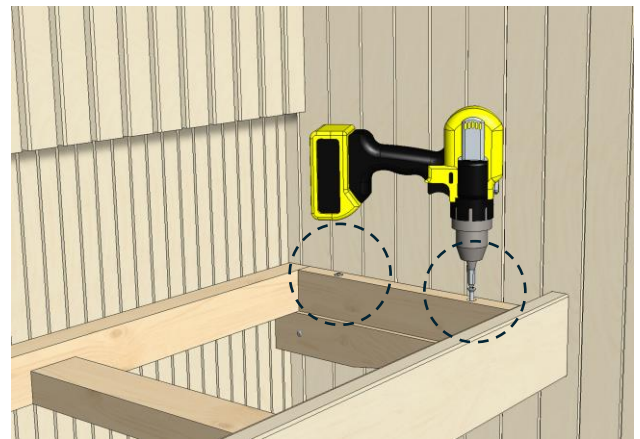
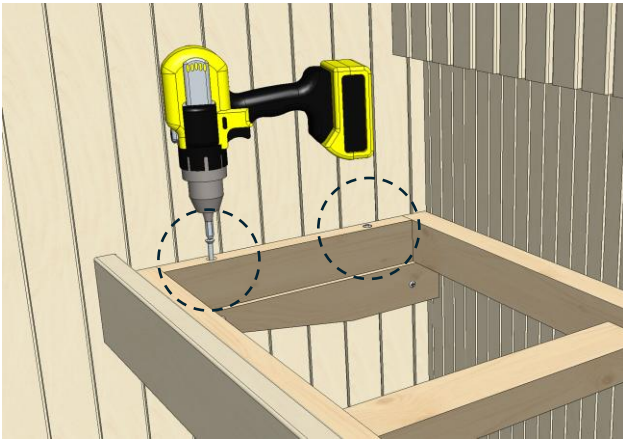
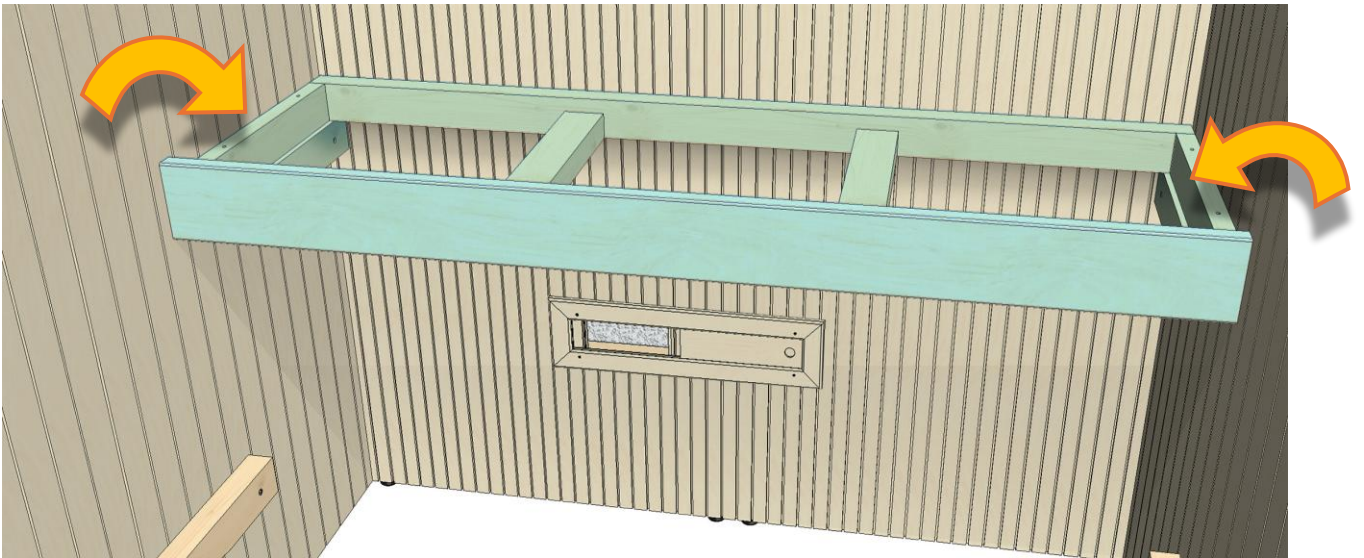


# Medium

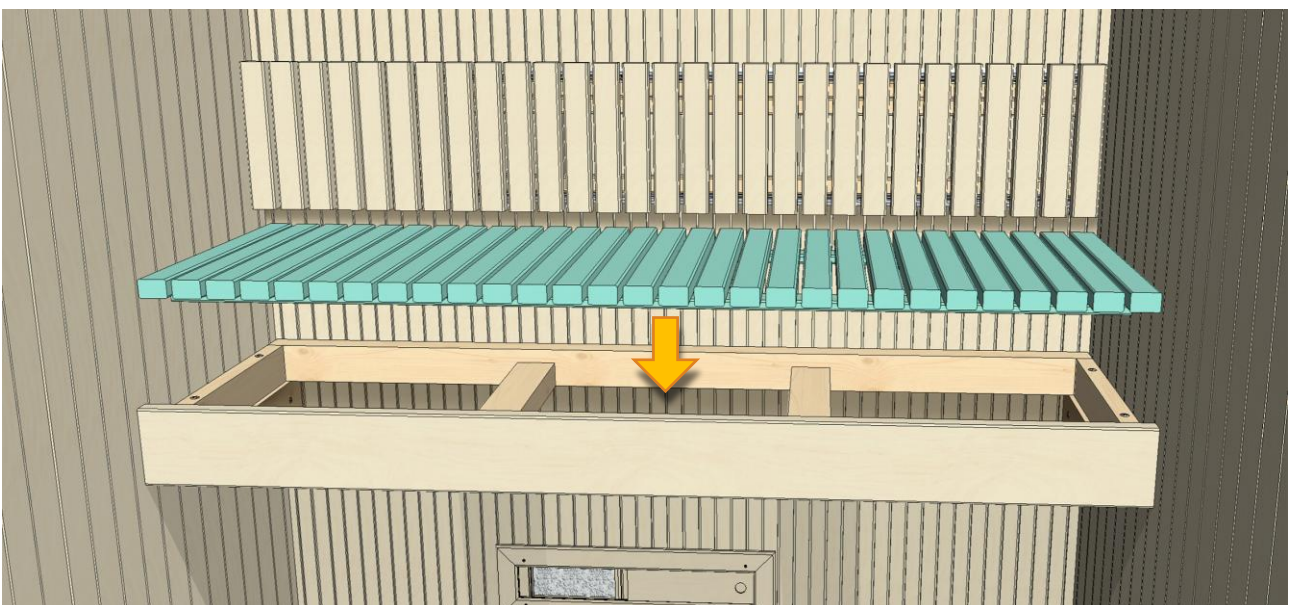
(URW1616FG / URB1616FG)

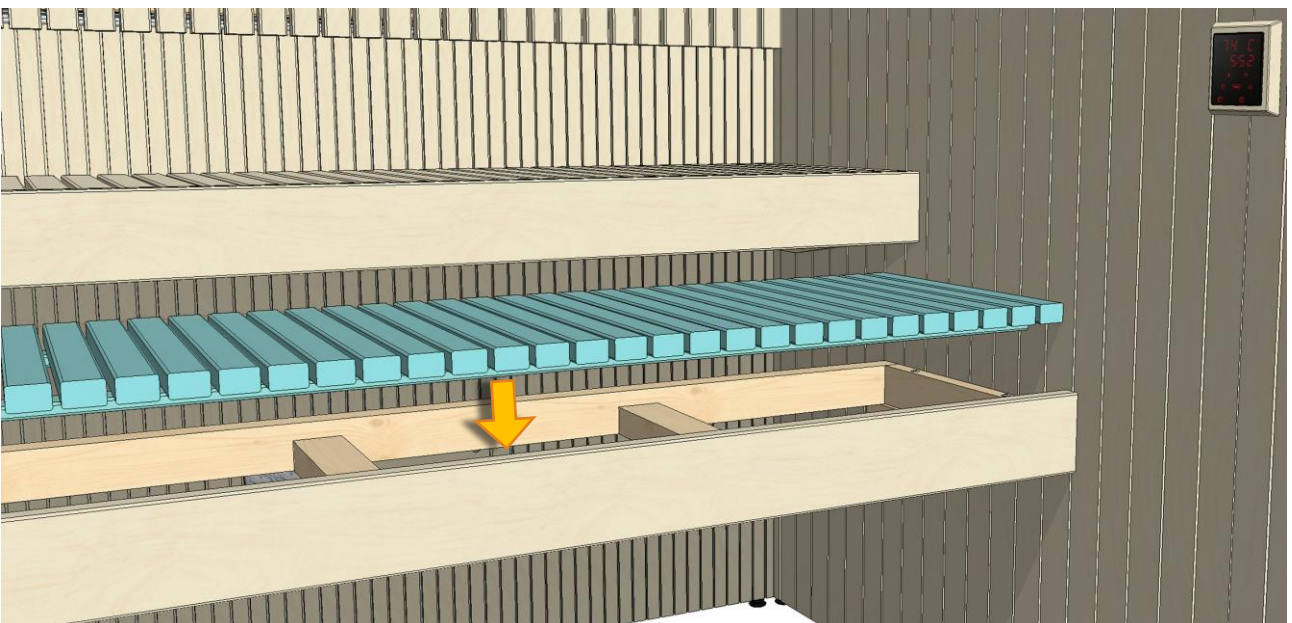
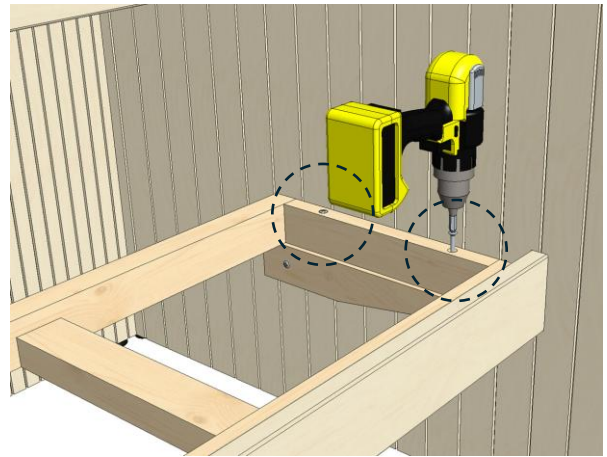
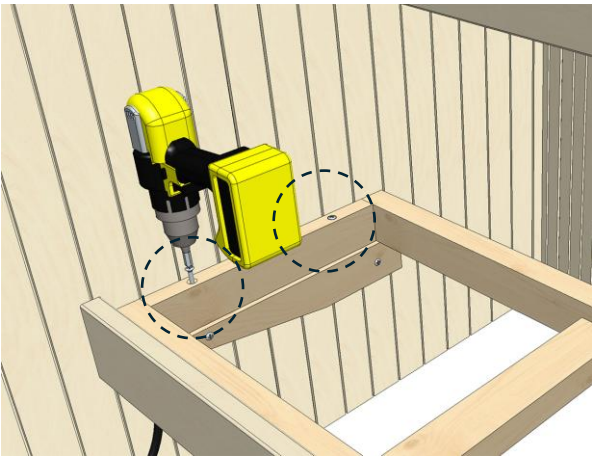
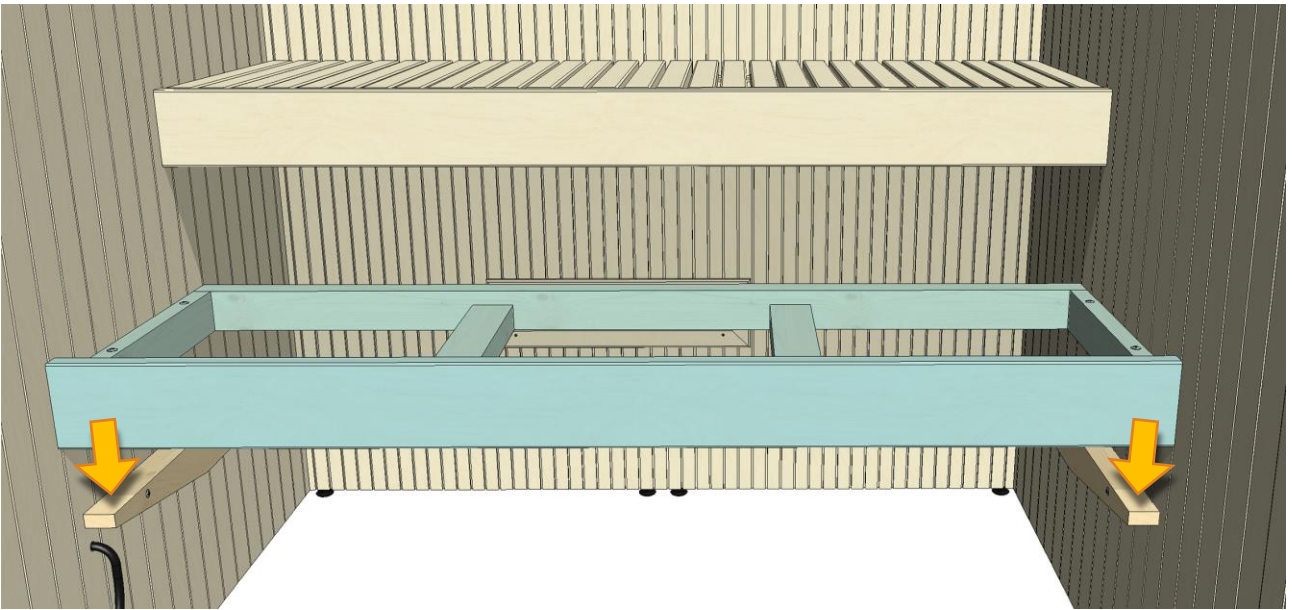




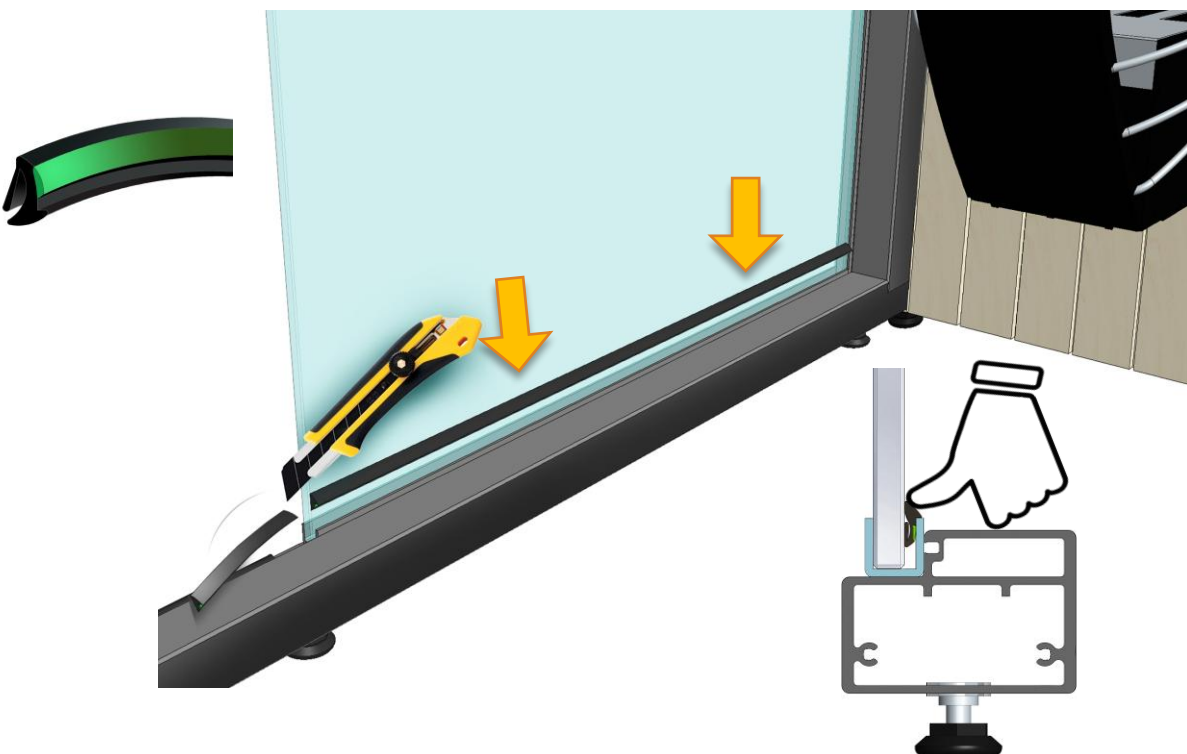
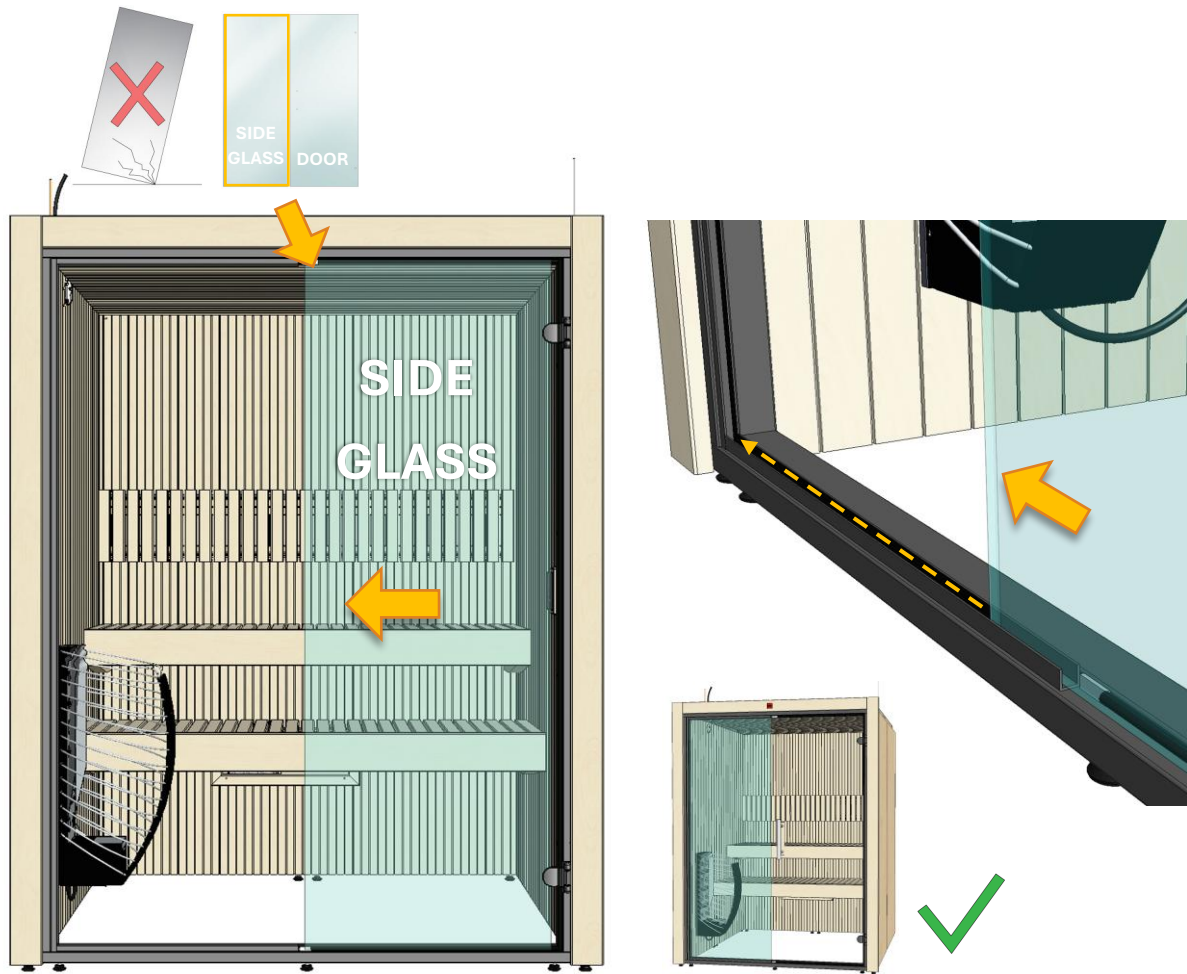


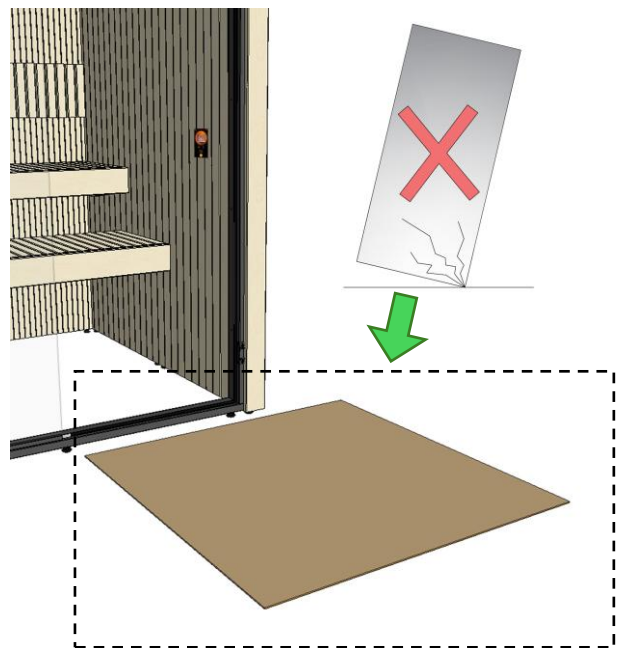
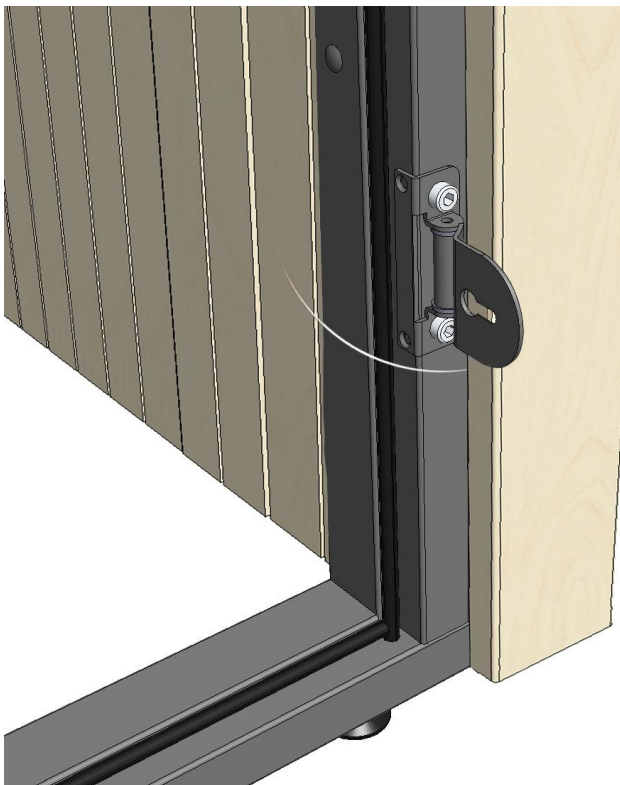
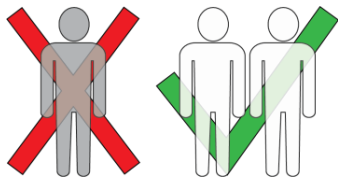
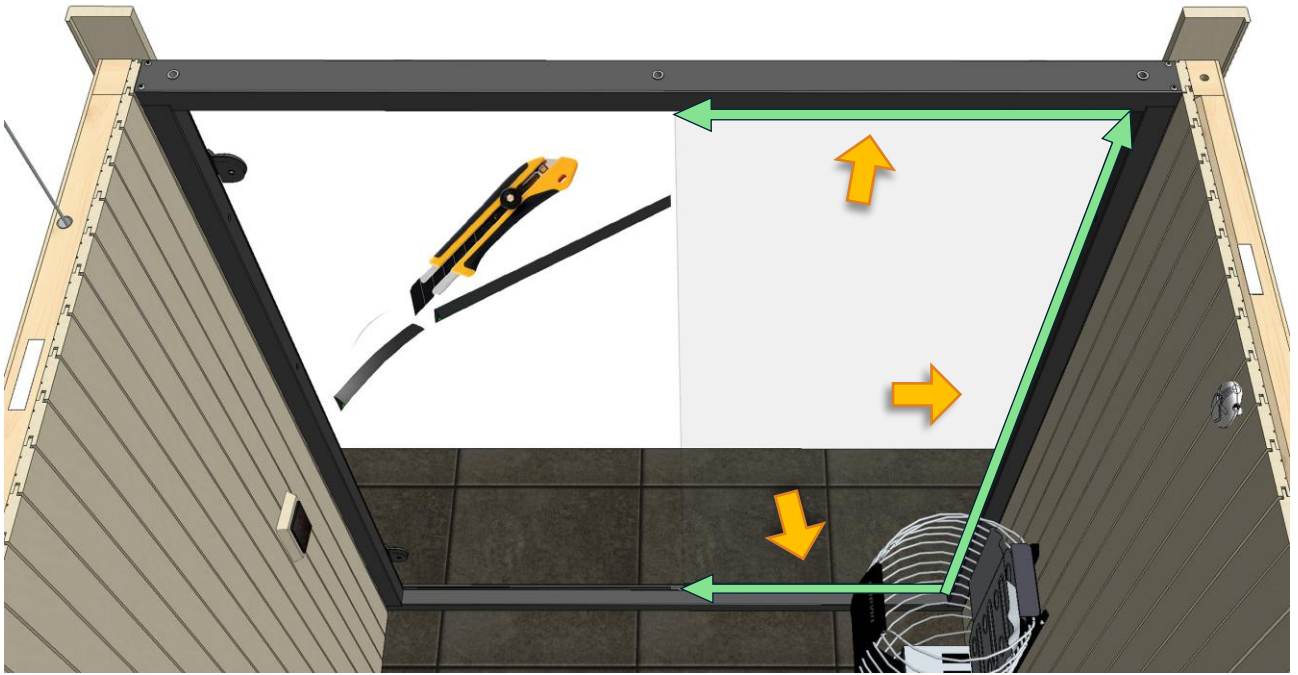
Zn 5 \* 80 mm

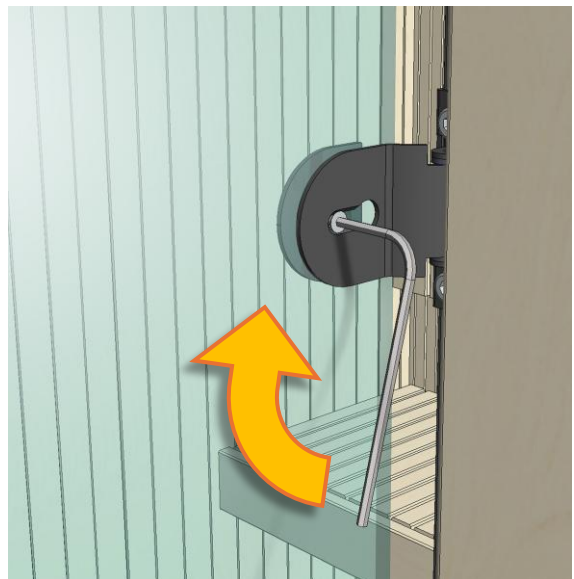
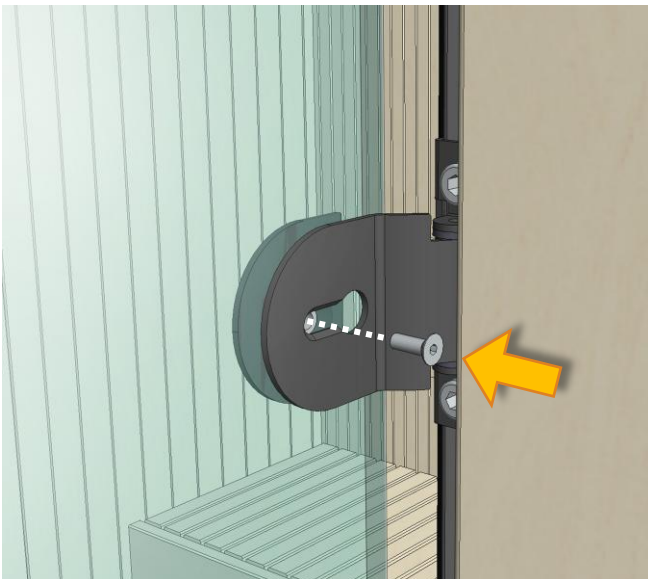
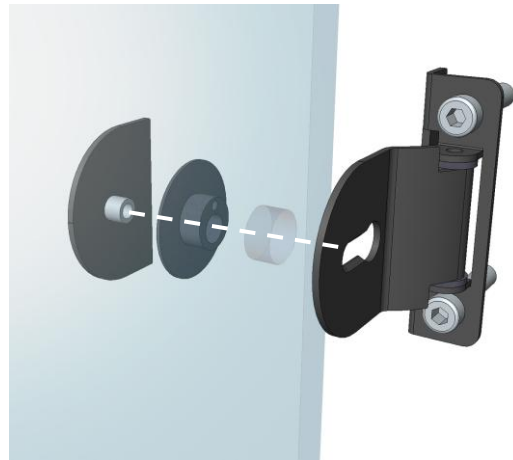


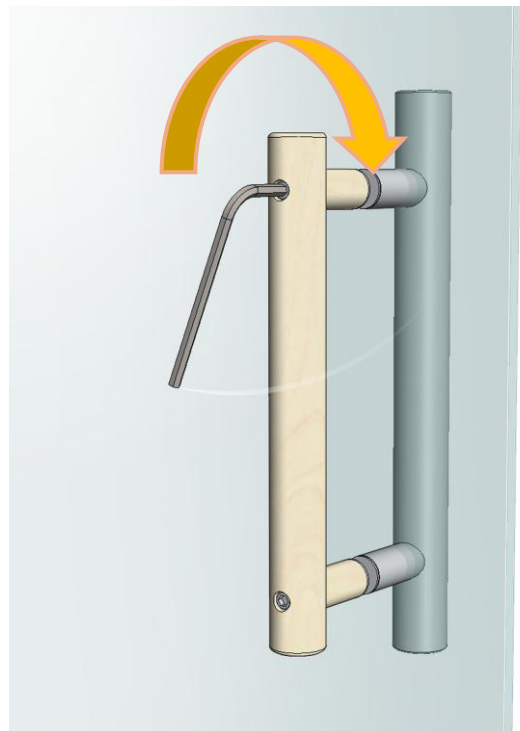
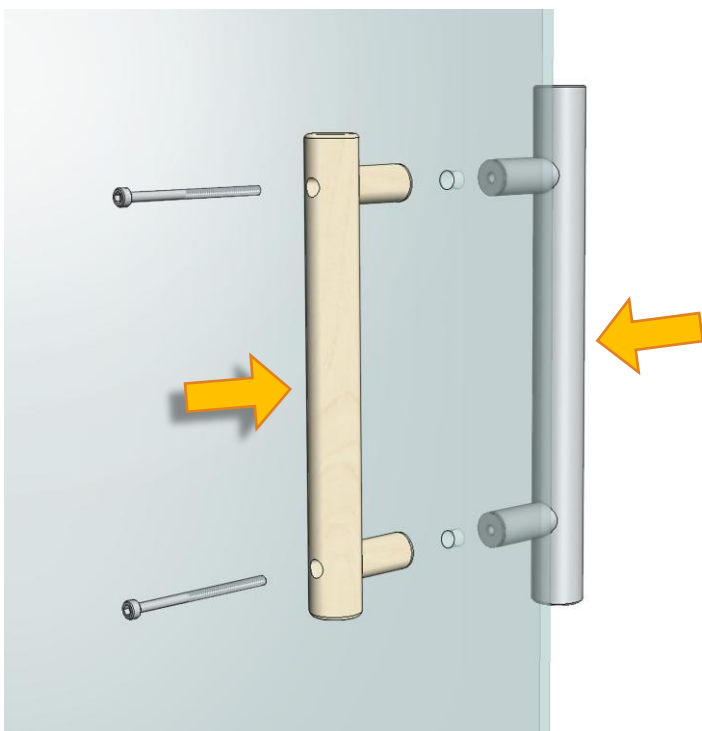
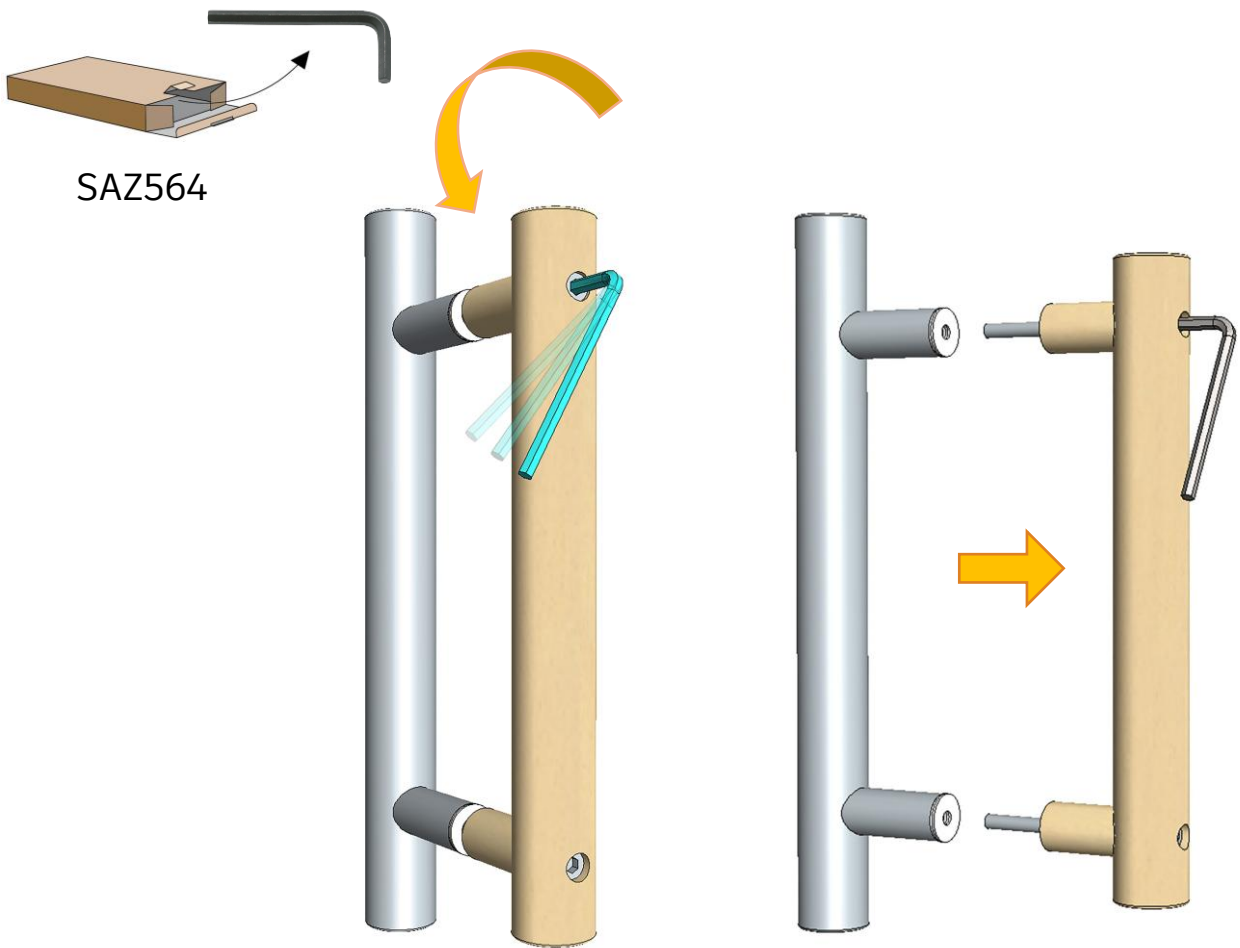


# DOOR AND SIDE GLASS

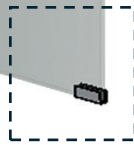
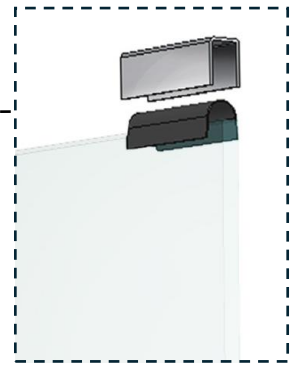
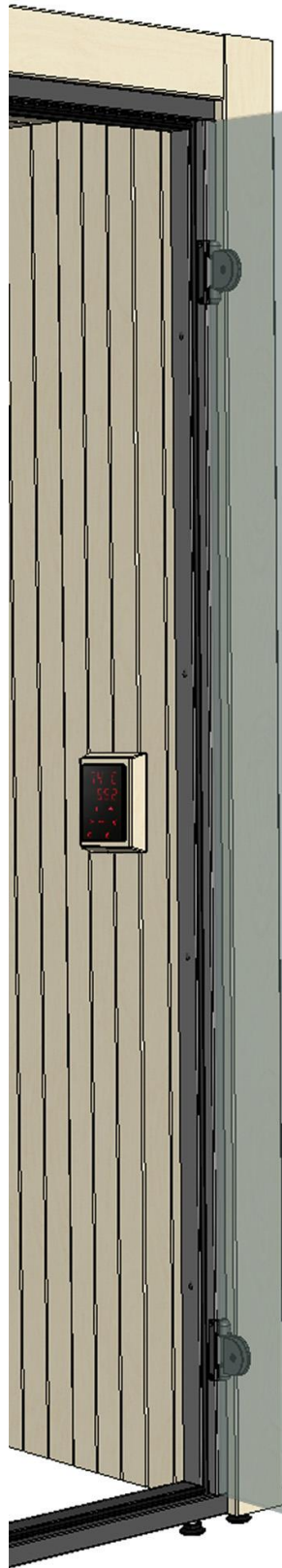




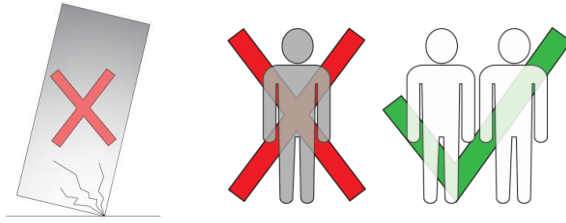




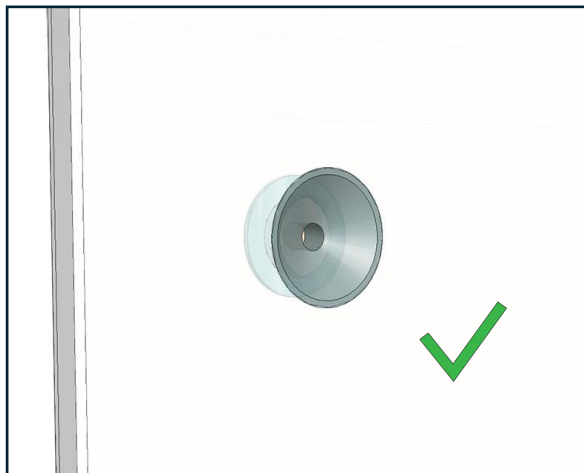
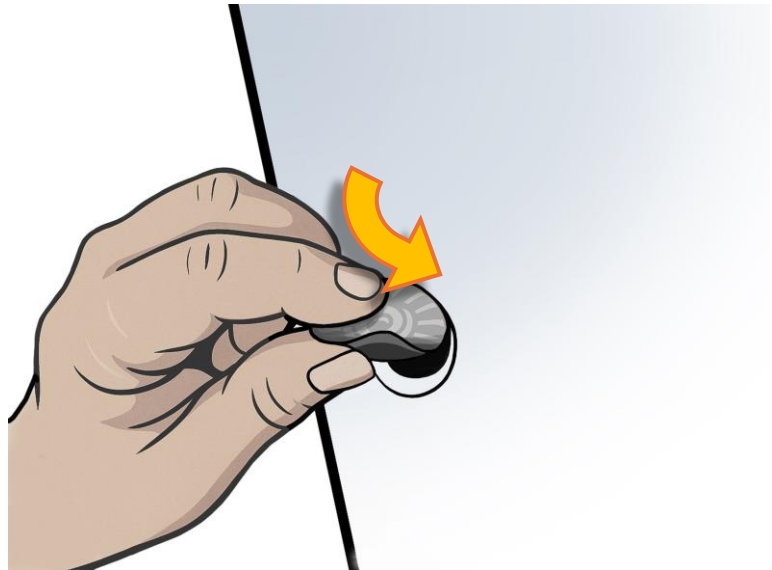
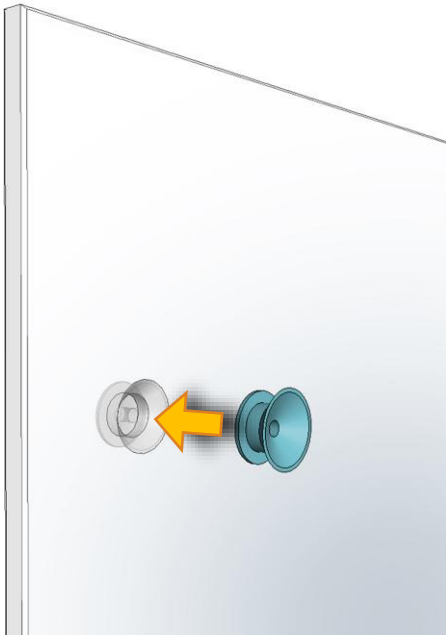
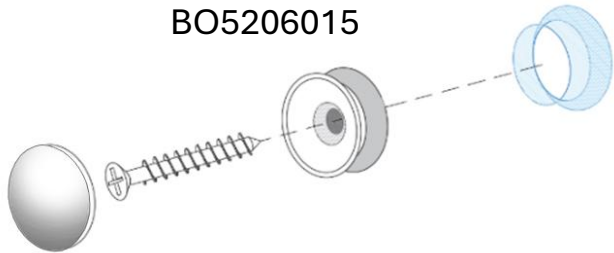
2 x ZVEL-259C

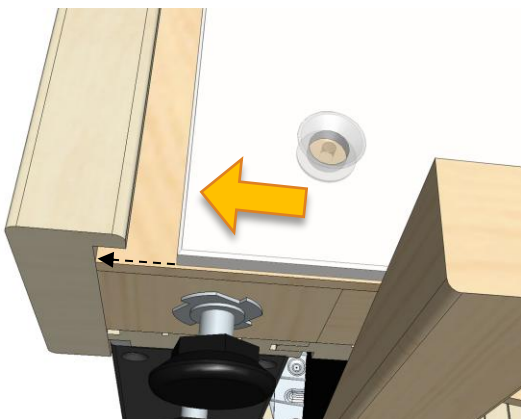
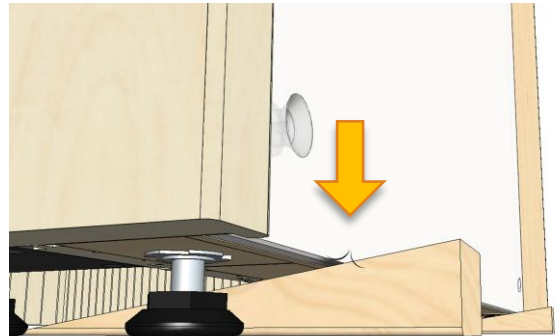
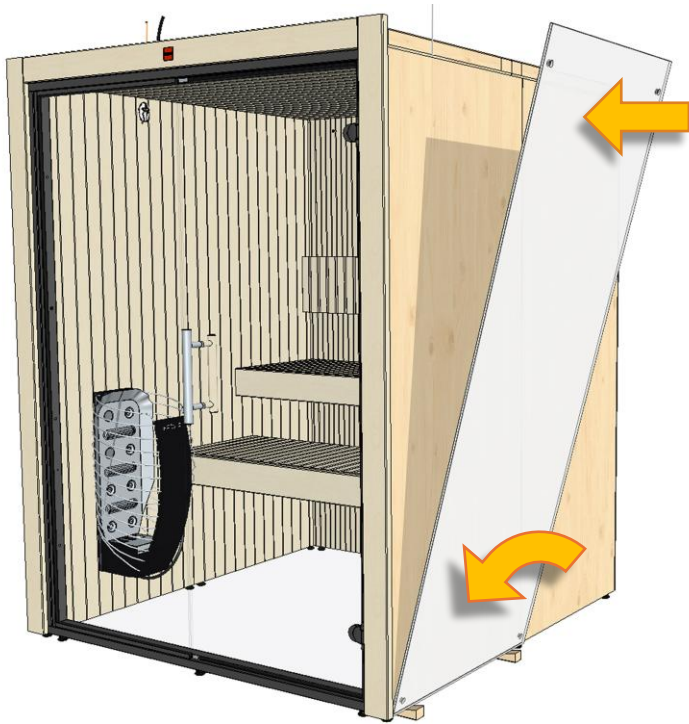


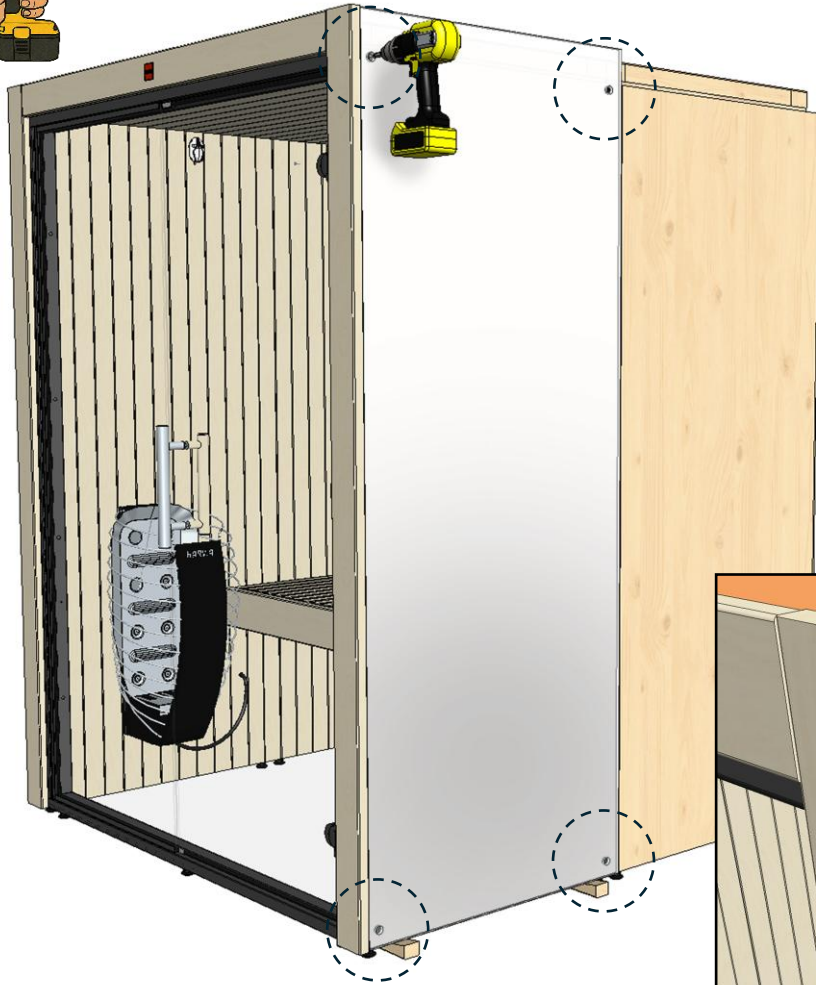
# OUTSIDE GLASSES



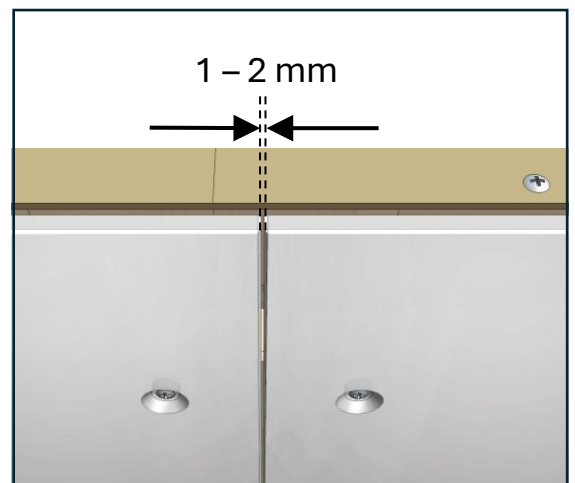
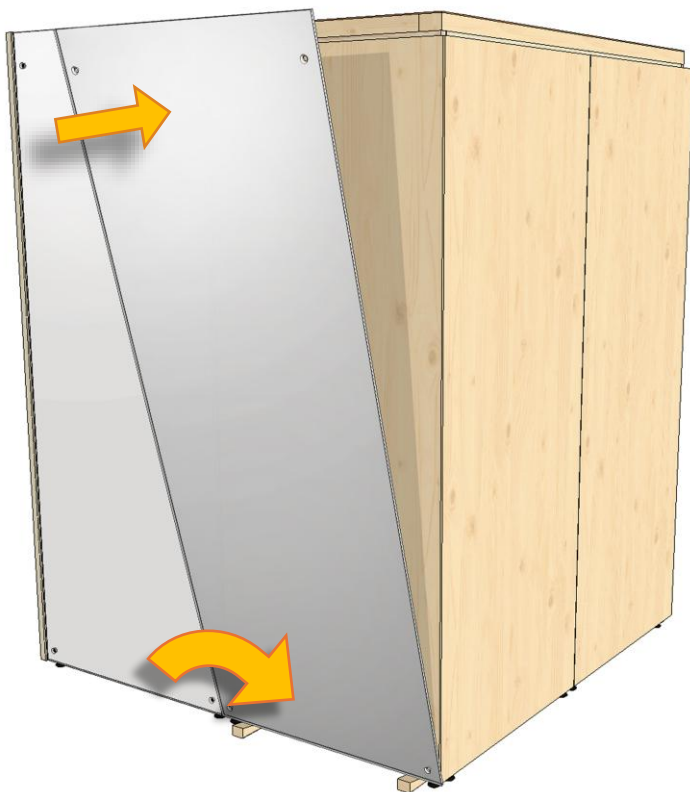
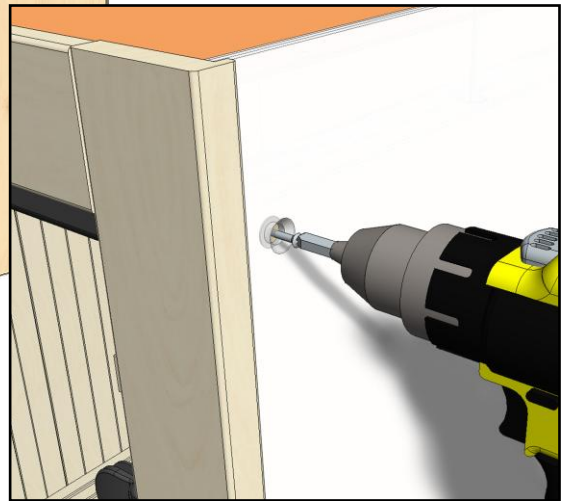
BO5206015

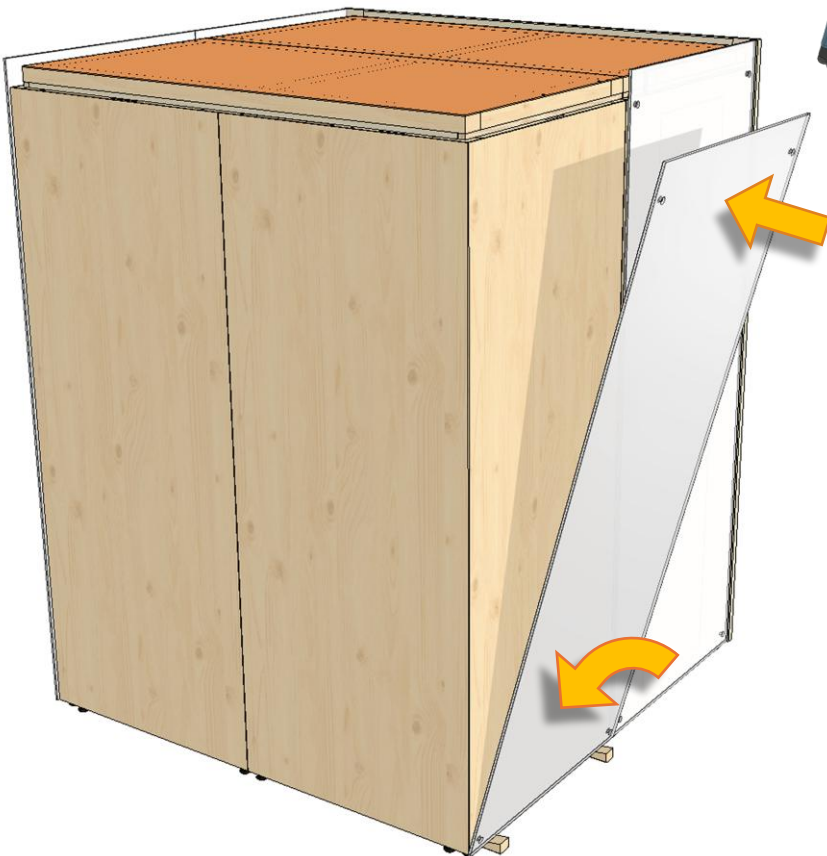
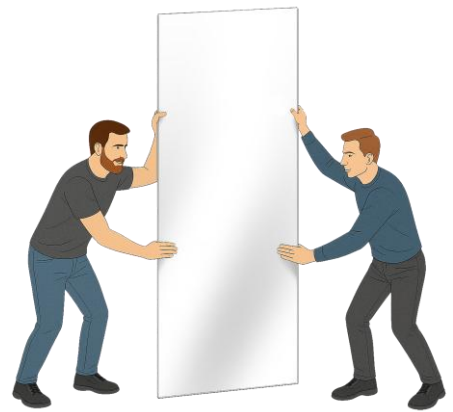
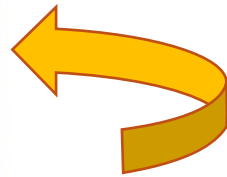
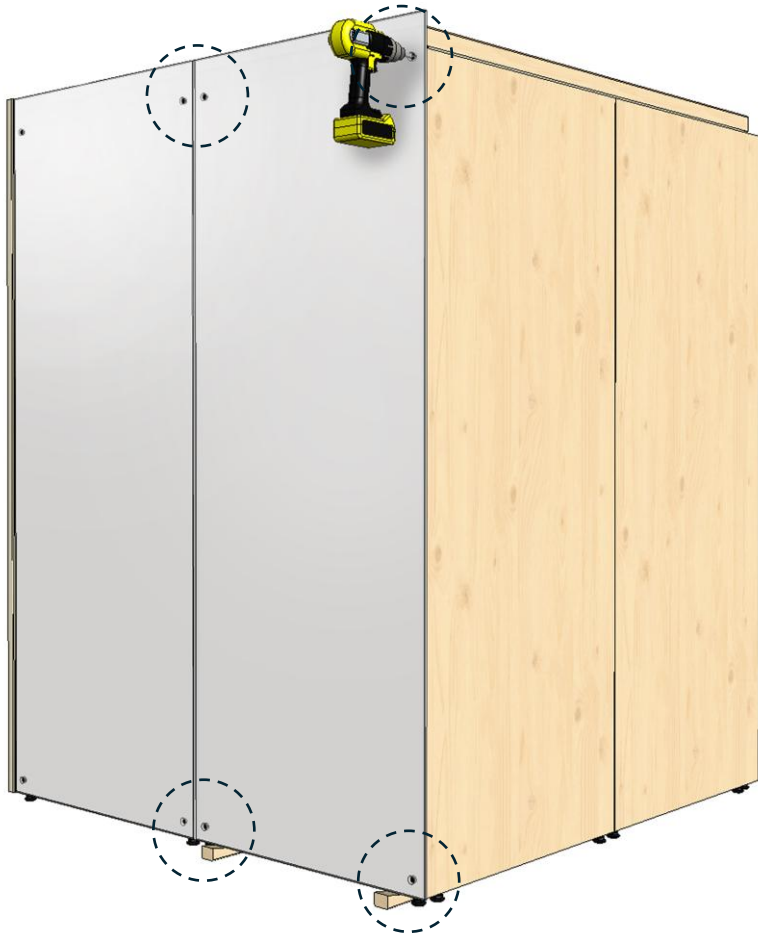


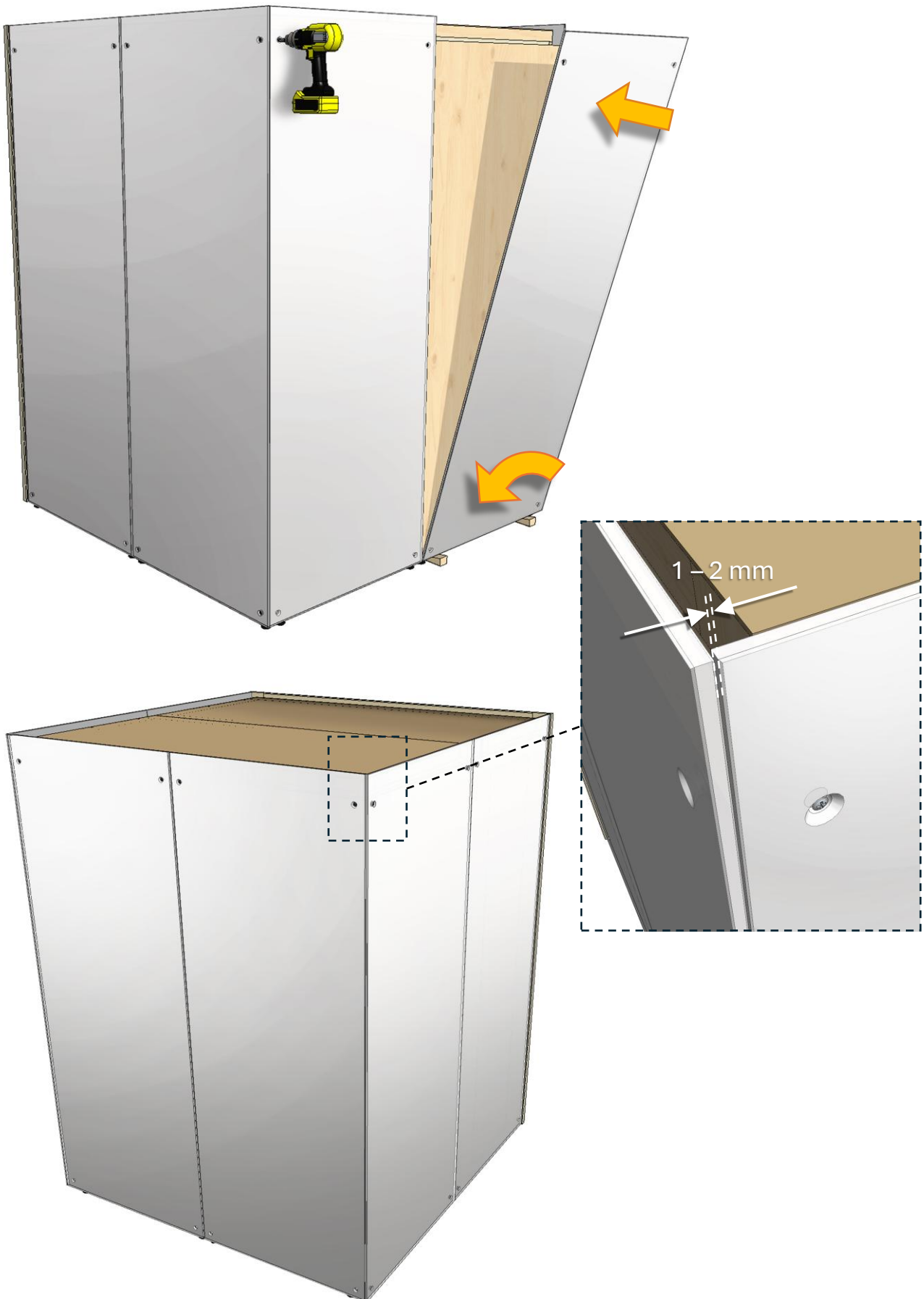


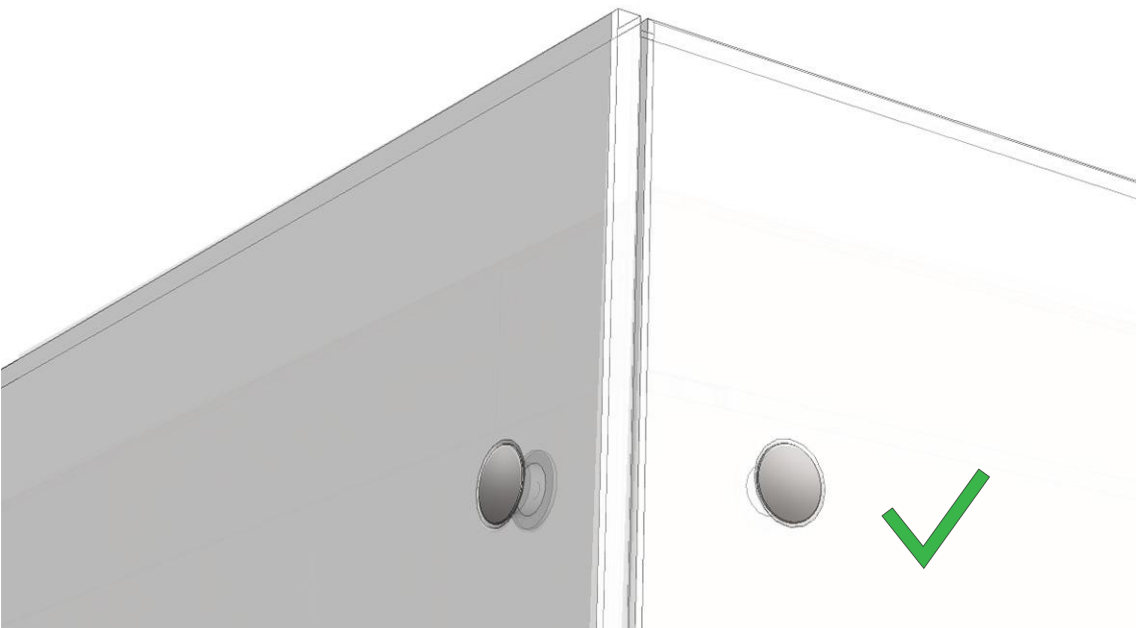
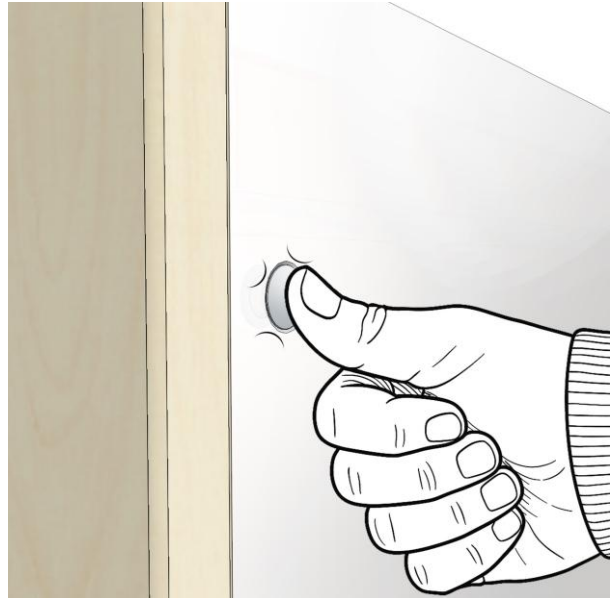
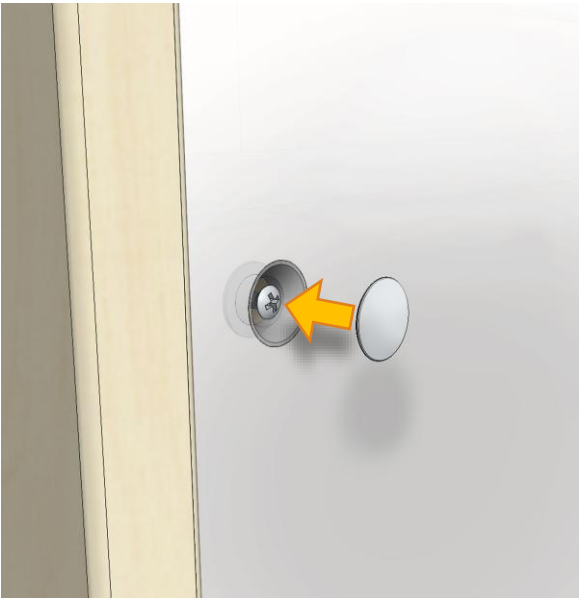
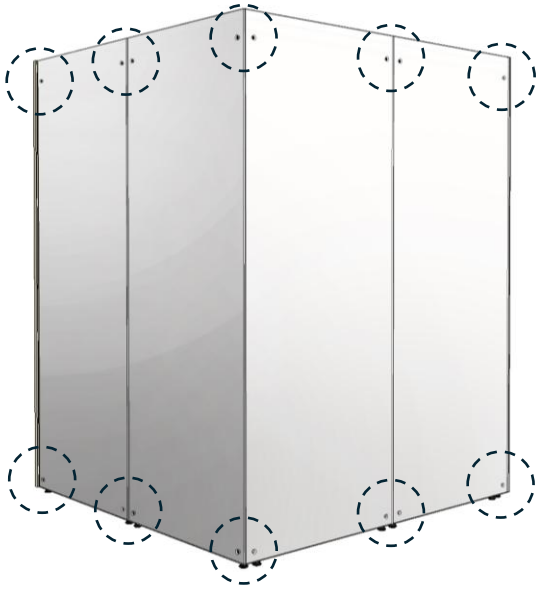


Zn 4,5\* 25 mm











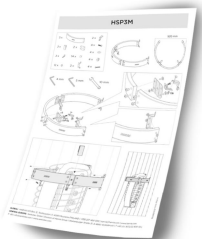
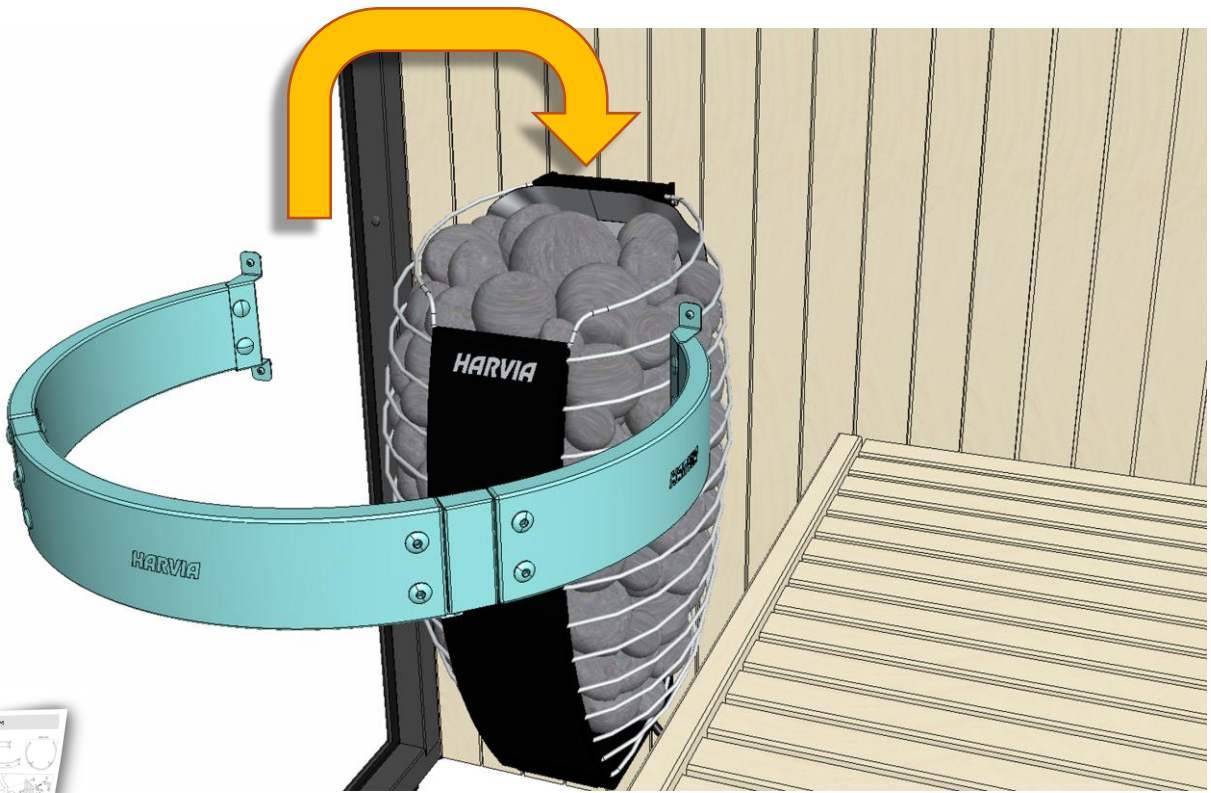
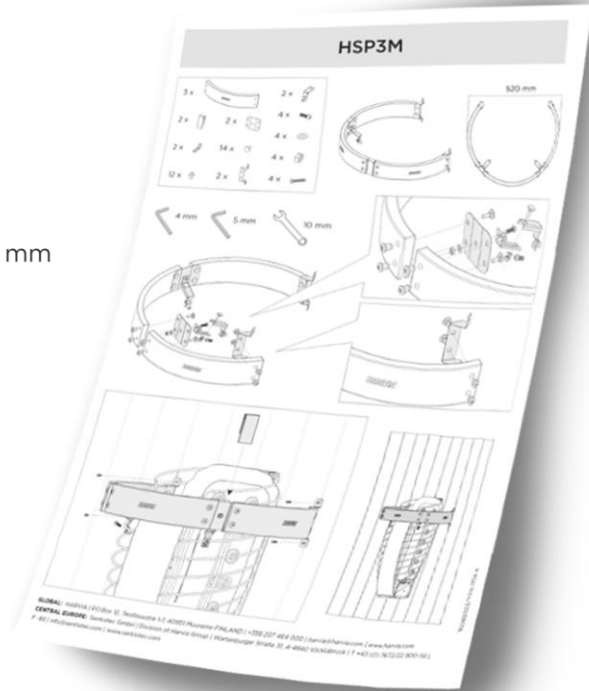
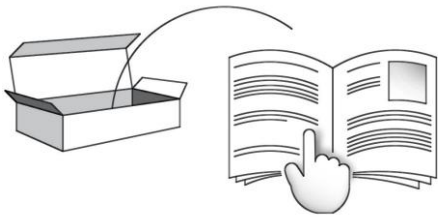
# STONES

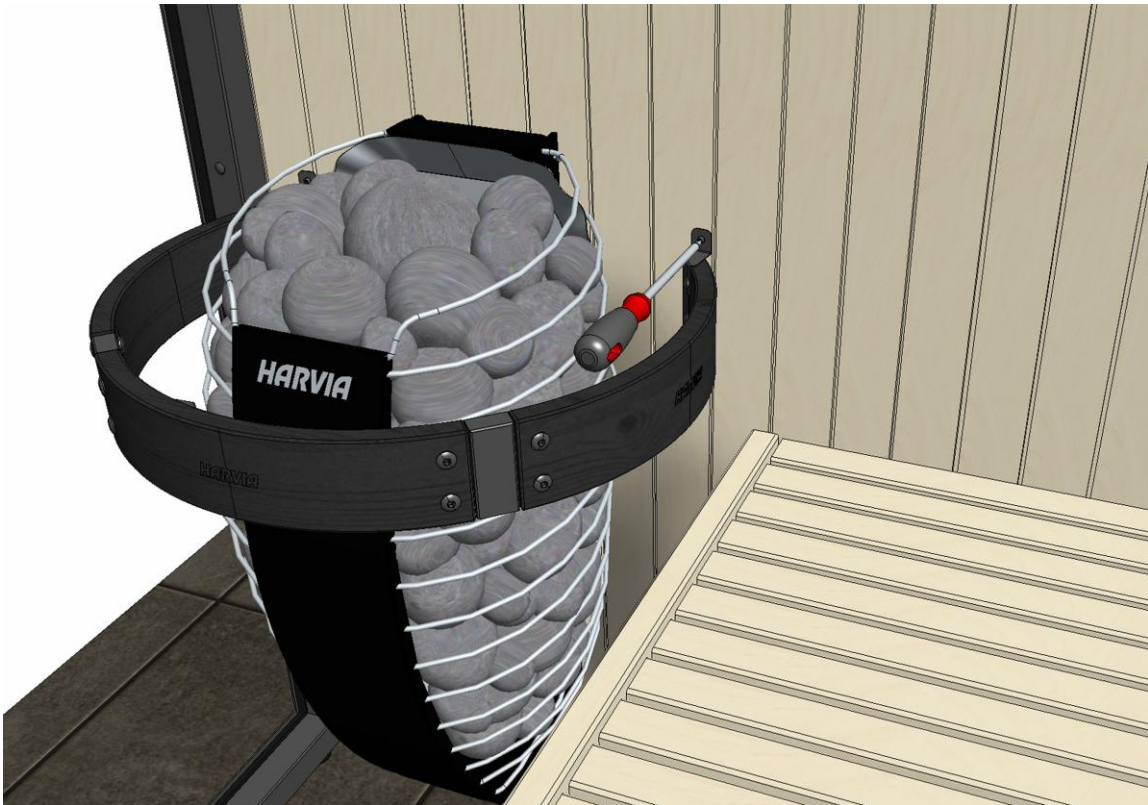


FI: Kivakivien laittaminen	ES: Colocación de las piedras
SV: Stämning av kaminstenar	IT: Come impilare le pietre della stufa
DK: Placering af Sauna Stones	FR: Emploiement des pierres de poêle
DE: Einlegen der Steine	NL: Saunastenen opzetten



# HEATER GUARD









Spare parts:  
[spareparts.harvia.com](http://spareparts.harvia.com)

