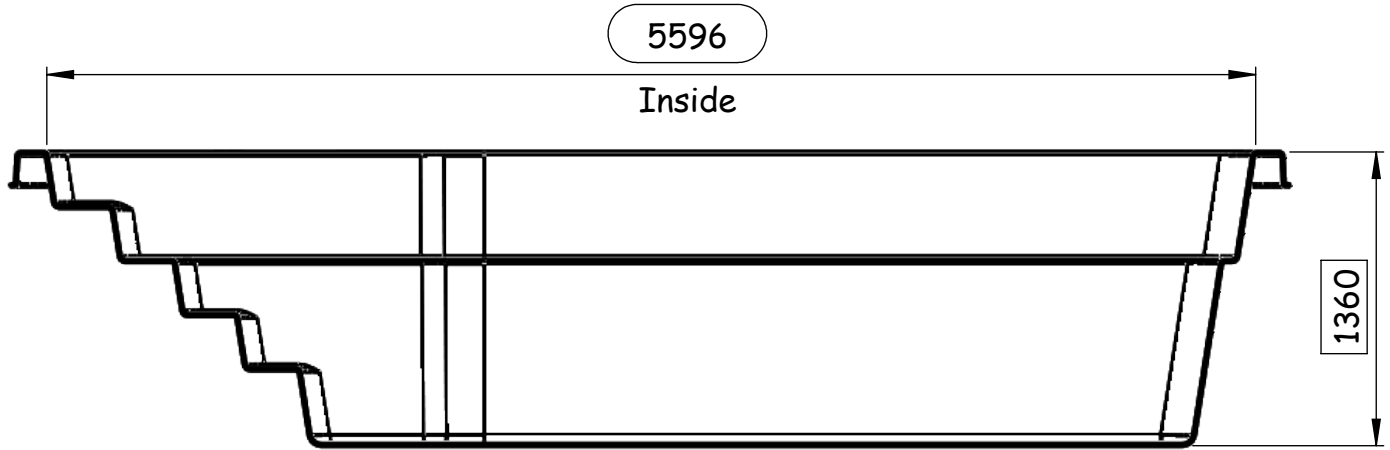
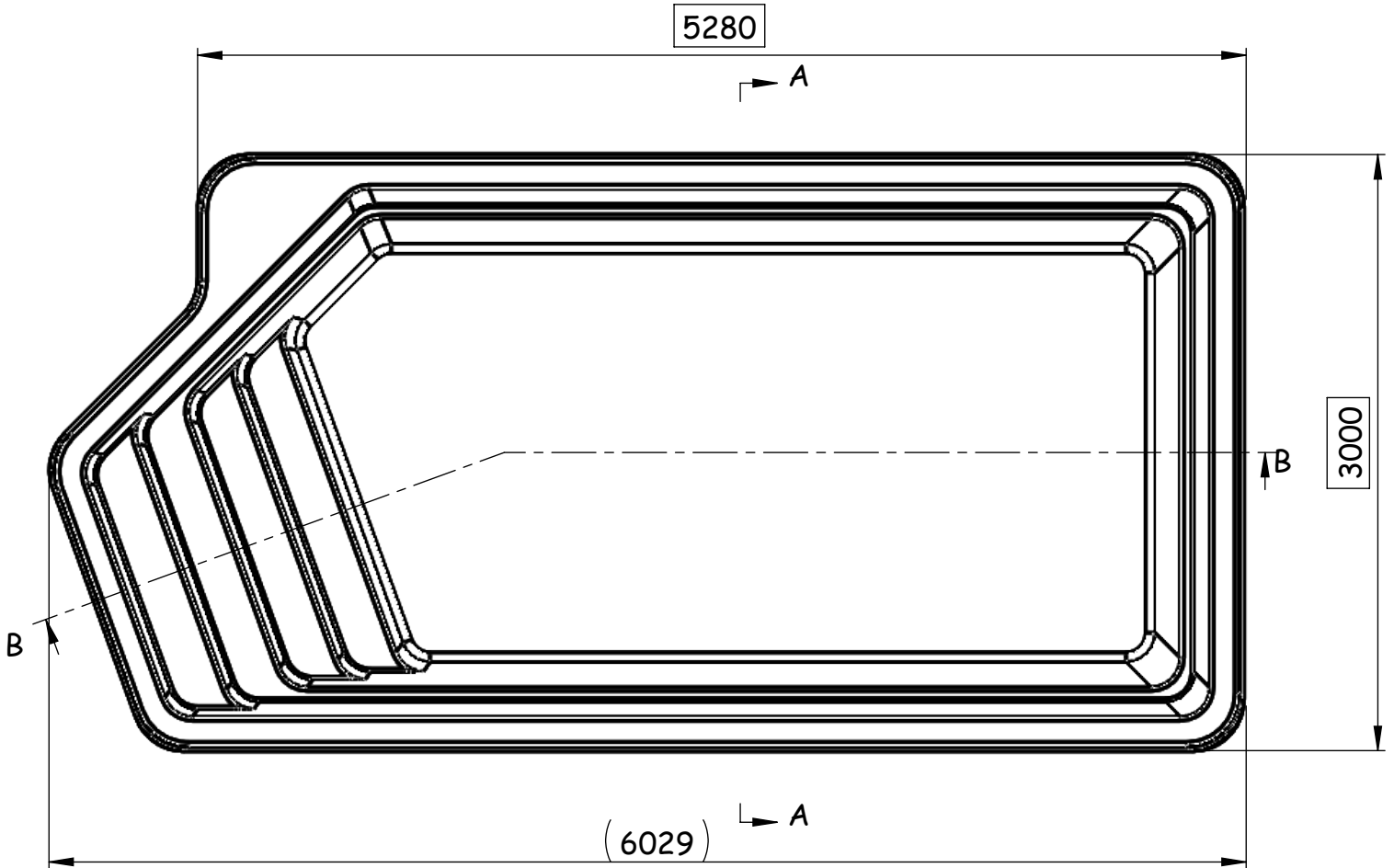
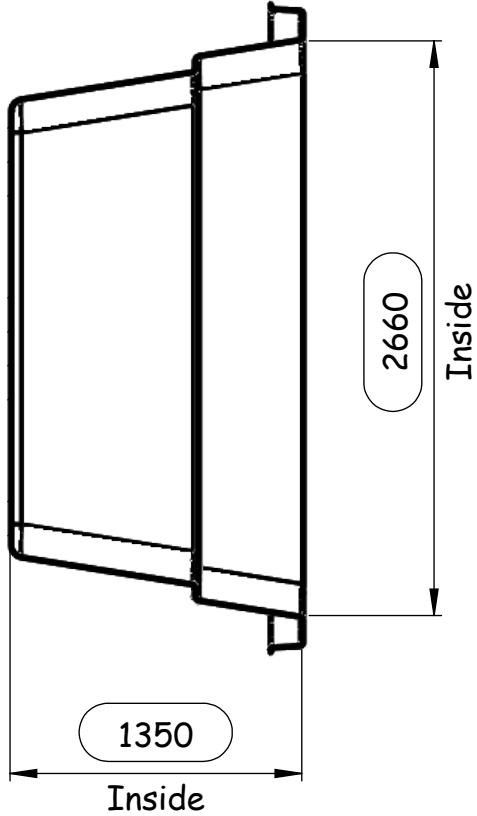

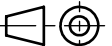


SECTION B-B



SECTION A-A



Material: FIBER GLASS		This drawing and any information or descriptive material set out on it are the confidential and copyright property of UAB LUXE POOLS . © and MUST NOT BE DISCLOSED, COPIED, LOANED in whole or part or used for any purpose without the written permission of UAB LUXE POOLS .	Description: TOBA	
Finish: Polished			Drawn by: Ruslanas Ivanovas	Drawn Date: 2017-03-06
Unless Otherwise Stated: Linear Tol.: ±0.2 , Angular Tol.: 0°15' Surface Finish: 0.8µm All Dimensions: mm			Checked/Approved by: Ruslanas Ivanovas	Checked/Approved Date:
Drawing Scale: 1:35		Document Type: Manufacturing		Part Number: Toba
Approx Weight: Kg	Drawing Produced In Accordance With: ISO 9001		Legal Owner:	
Projection Method: THIRD ANGLE	Sheet Size: A3		 LUXE POOLS, Vokieciu str 24, 01135 Vilnius, Lithuania	
				Drawing Number:
				Sheet: 1 of 1
				Revision: