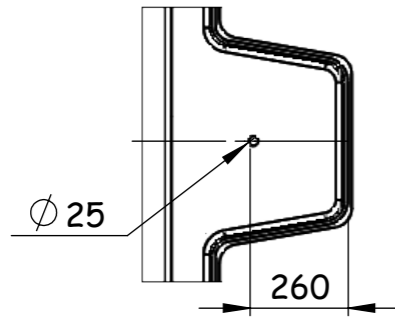
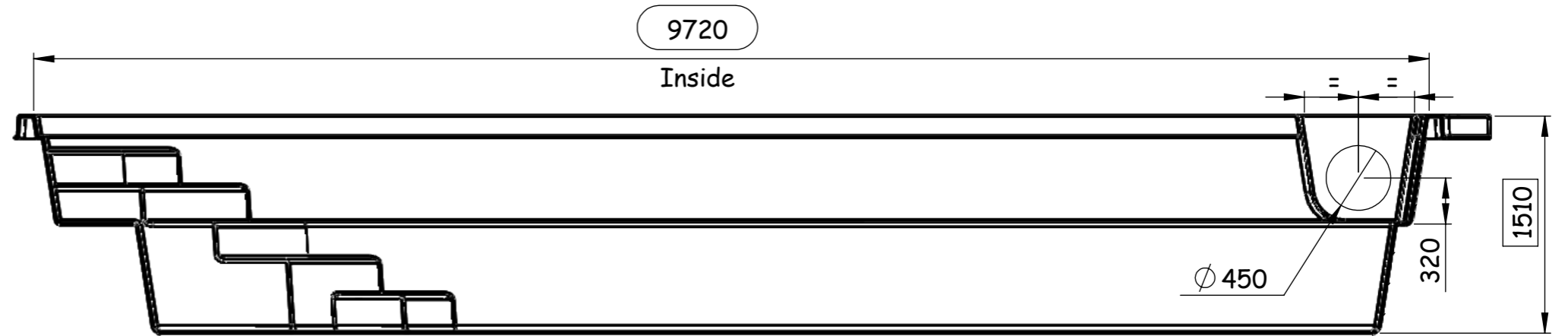


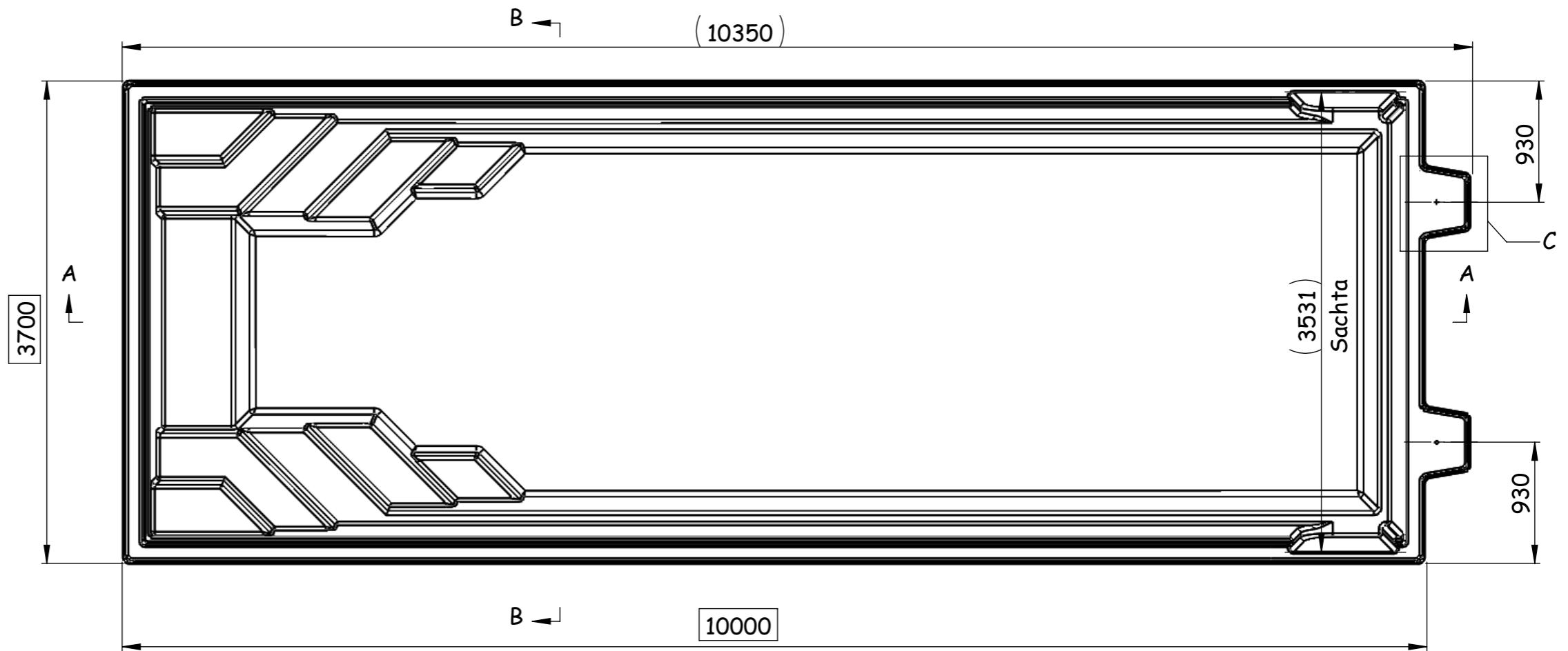
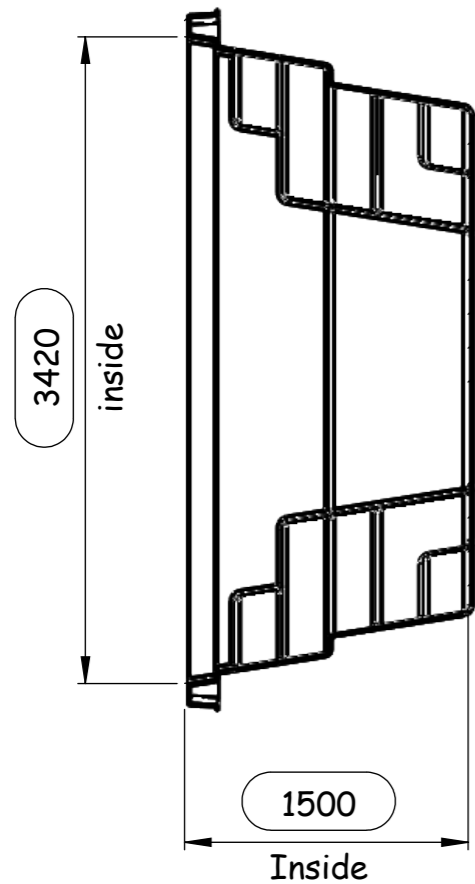
DETAIL C
SCALE 1 : 20



SECTION A-A



SECTION B-B



Material: FIBER GLASS		This drawing and any information or descriptive material set out on it are the confidential and copyright property of UAB LUXE POOLS . © and MUST NOT BE DISCLOSED, COPIED, LOANED in whole or part or used for any purpose without the written permission of UAB LUXE POOLS .	Description: WANAKA 10000 (su sachta)	
Finish: Polished			Drawn by: Ruslanas Ivanovas	Drawn Date: 2017 - 03 - 08
Unless Otherwise Stated: Linear Tol.: ±0.2 , Angular Tol.: 0°15' Surface Finish: 0.8µm All Dimensions: mm			Checked/Approved by: Ruslanas Ivanovas	
Drawing Scale: 1:40			Checked/Approved Date:	
Approx Weight: Kg	Drawing Produced In Accordance With: ISO 9001	Document Type: Manufacturing		Part Number: wanaa1000sachta
Projection Method: THIRD ANGLE	Sheet Size: A3	Legal Owner: luxepools		Drawing Number:
		LUXE POOLS, Vokieciu str 24, 01135 Vilnius, Lithuania		Sheet: 1 of 1
				Revision: