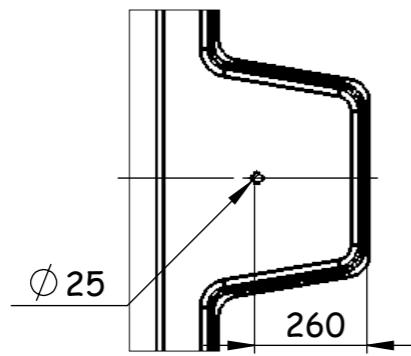
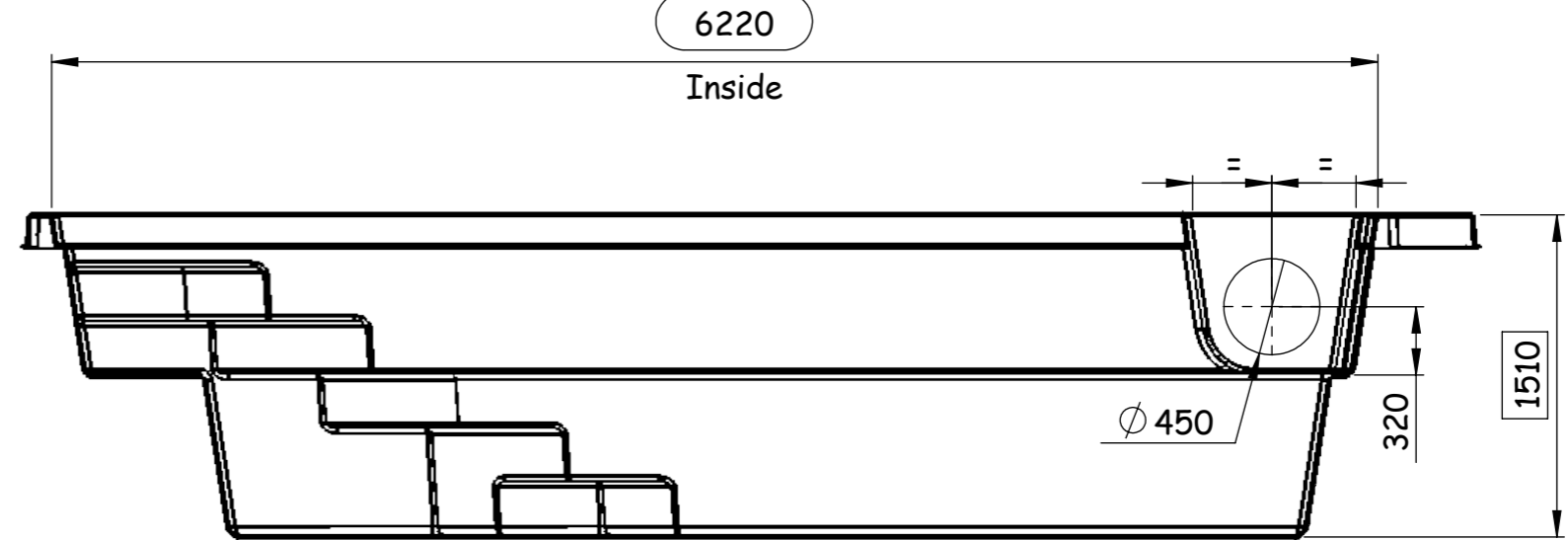


DETAIL C
SCALE 2 : 35

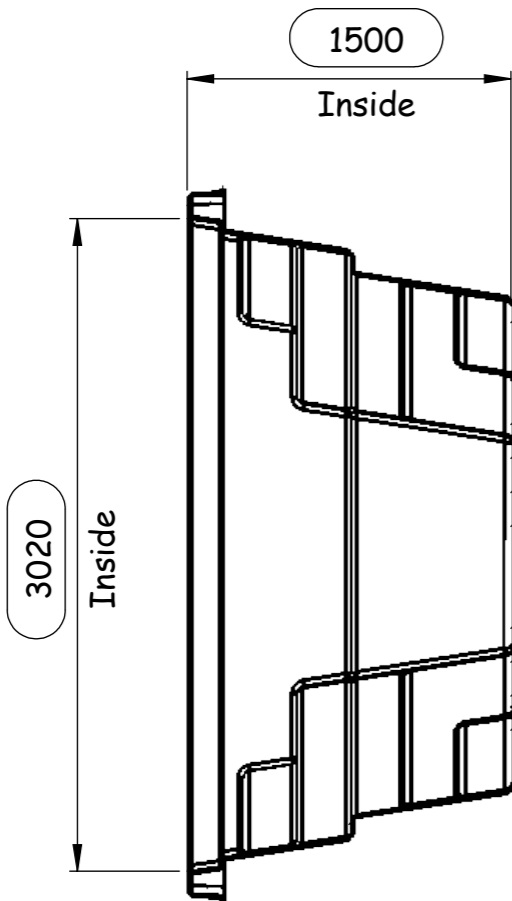


SECTION A-A



1500

Inside



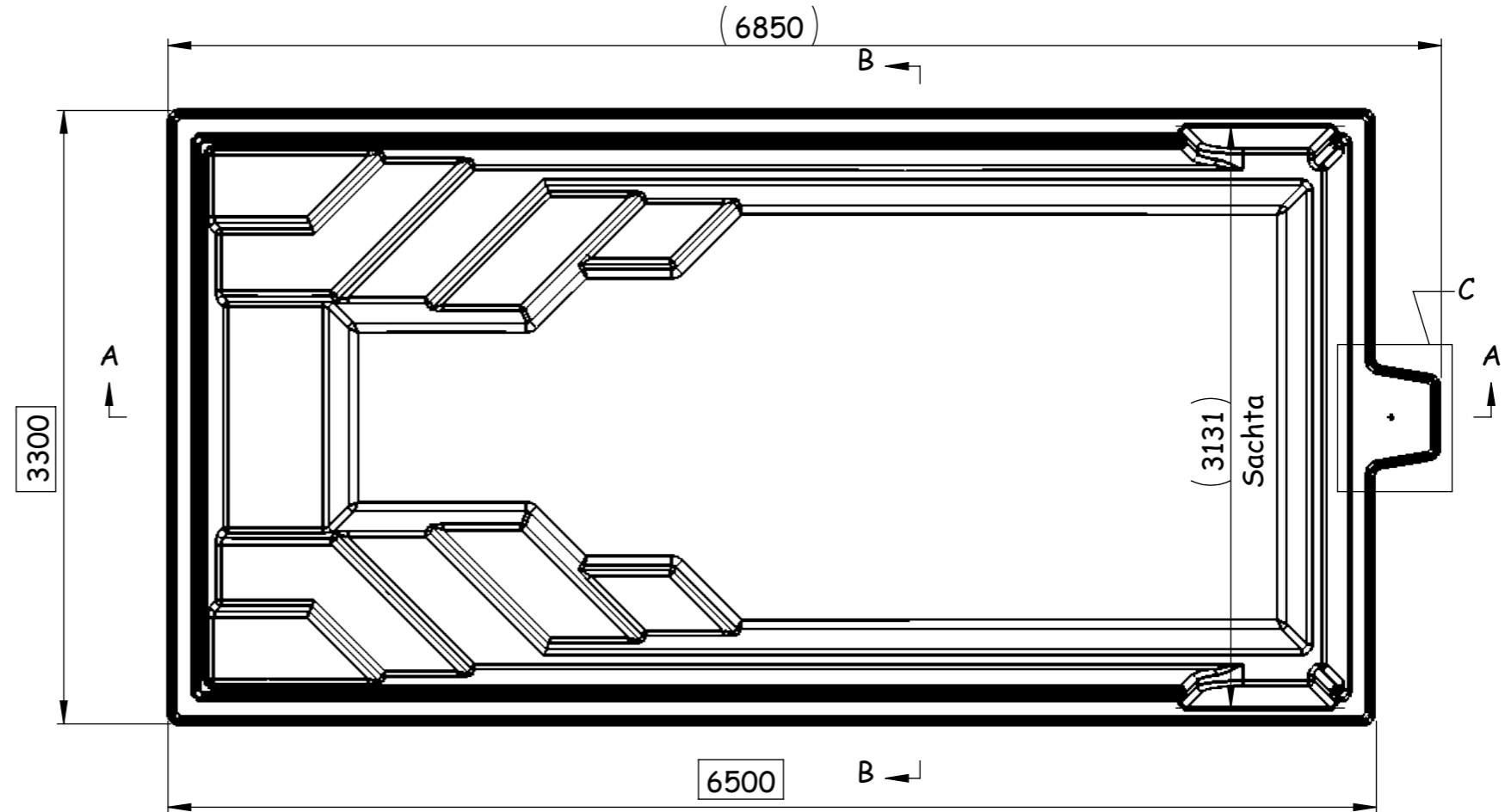
3020

Inside

SECTION B-B

(6850)

B



3300

A

6500

B

Material: FIBER GLASS		This drawing and any information or descriptive material set out on it are the confidential and copyright property of UAB LUXE POOLS . © and MUST NOT BE DISCLOSED, COPIED, LOANED in whole or part or used for any purpose without the written permission of UAB LUXE POOLS .	Description: WANAKA 650 (su sachta)	
Finish: Polished			Drawn by: Ruslanas Ivanovas	Drawn Date: 2017 - 03 - 08
Unless Otherwise Stated: Linear Tol.: ±0.2, Angular Tol.: 0°15' Surface Finish: 0.8µm All Dimensions: mm			Checked/Approved by: Ruslanas Ivanovas	Checked/Approved Date:
Drawing Scale: 1:35			Document Type: Manufacturing	
Approx Weight: Kg	Drawing Produced In Accordance With: ISO 9001	Legal Owner: luxepools		Part Number: wanaka650sachta
Projection Method: THIRD ANGLE	Sheet Size: A3	LUXE POOLS, Vokiecju str 24, 01135 Vilnius, Lithuania		Drawing Number:
				Sheet:
				Revision:
				1 of 1