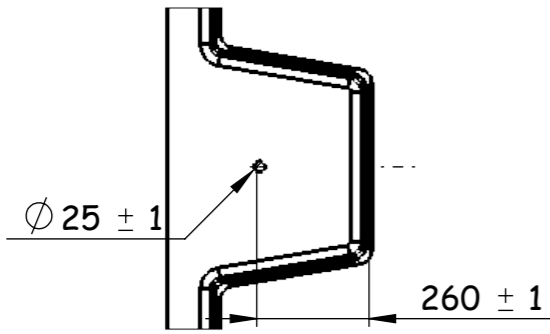
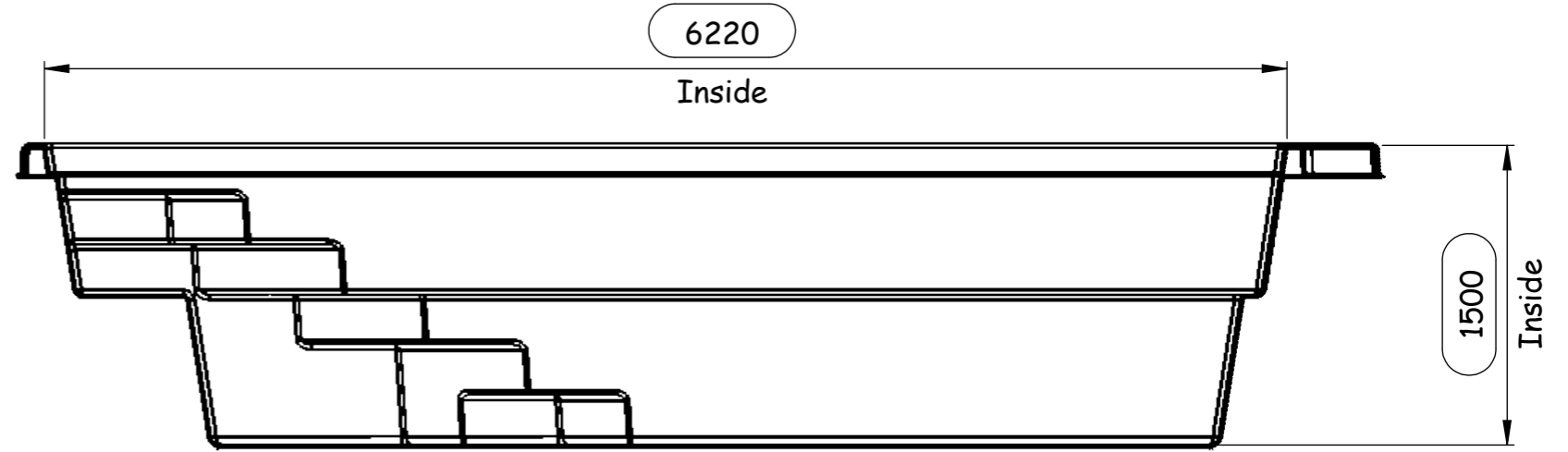


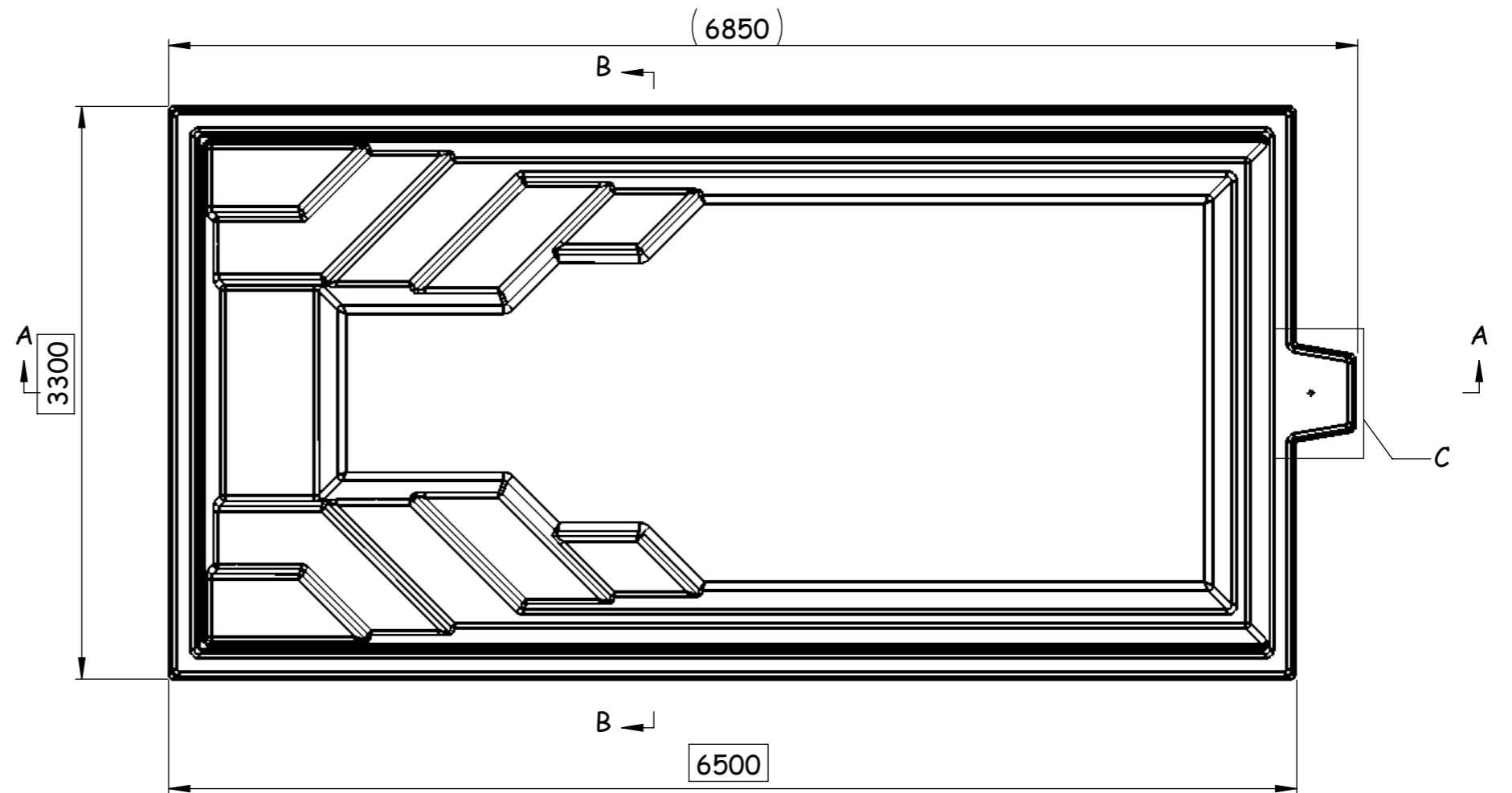
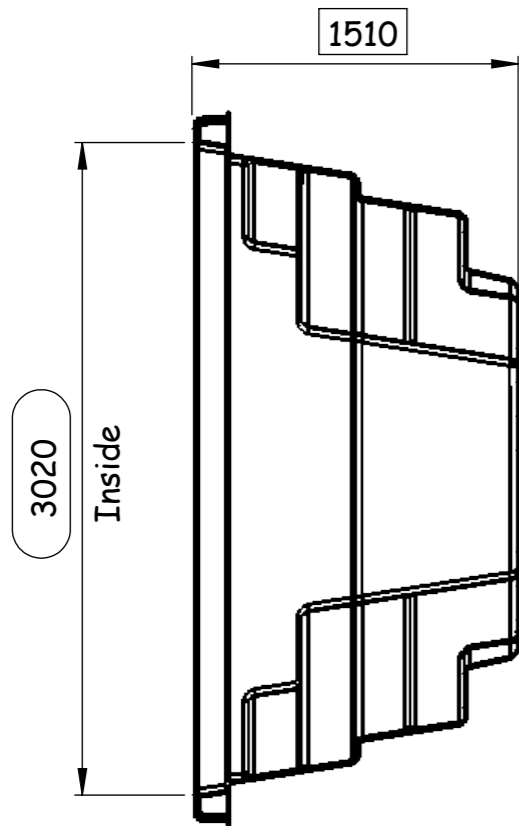
DETAIL C  
SCALE 2 : 35



SECTION A-A



SECTION B-B



Material: <b>FIBER GLASS</b>		This drawing and any information or descriptive material set out on it are the confidential and copyright property of <b>UAB LUXE POOLS</b> . © and MUST NOT BE DISCLOSED, COPIED, LOANED in whole or part or used for any purpose without the written permission of <b>UAB LUXE POOLS</b> .	Description: <b>WANAKA 650</b>	
Finish: <b>Polishe</b>			Drawn by: <b>Ruslanas Ivanovas</b>	Drawn Date: <b>2017-03-06</b>
Unless Otherwise Stated: Linear Tol.: ±0.2, Angular Tol.: 0°15' Surface Finish: 0.8µm All Dimensions: mm			Checked/Approved by: <b>Ruslanas Ivanovas</b>	
Drawing Scale: <b>1:35</b>			Checked/Approved Date:	
Approx Weight: <b>Kg</b>	Drawing Produced In Accordance With: <b>ISO 9001</b>	Document Type: <b>Manufacturing</b>		Part Number: <b>Wanaka650</b>
Projection Method: <b>THIRD ANGLE</b>	Sheet Size: <b>A3</b>	Legal Owner: <b>luxepools</b>		Drawing Number:
		LUXE POOLS, Vokiecju str 24, 01135 Vilnius, Lithuania		Sheet: <b>1 of 1</b>
				Revision: