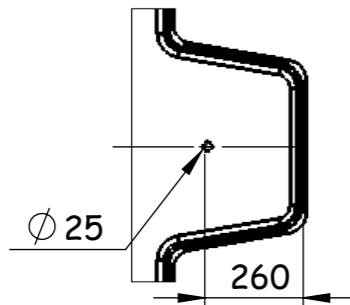
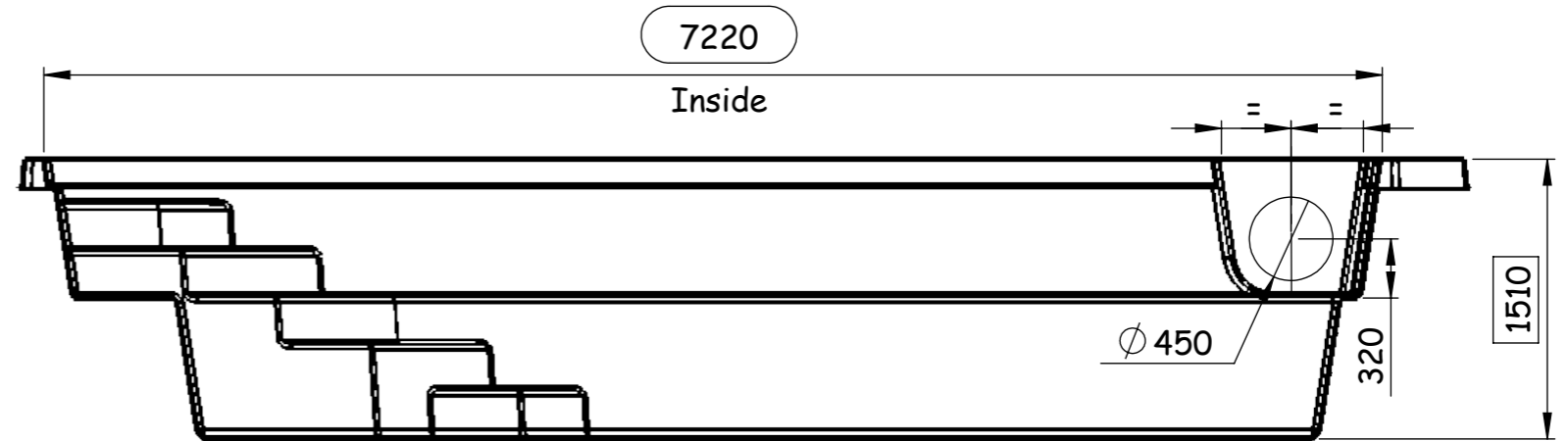


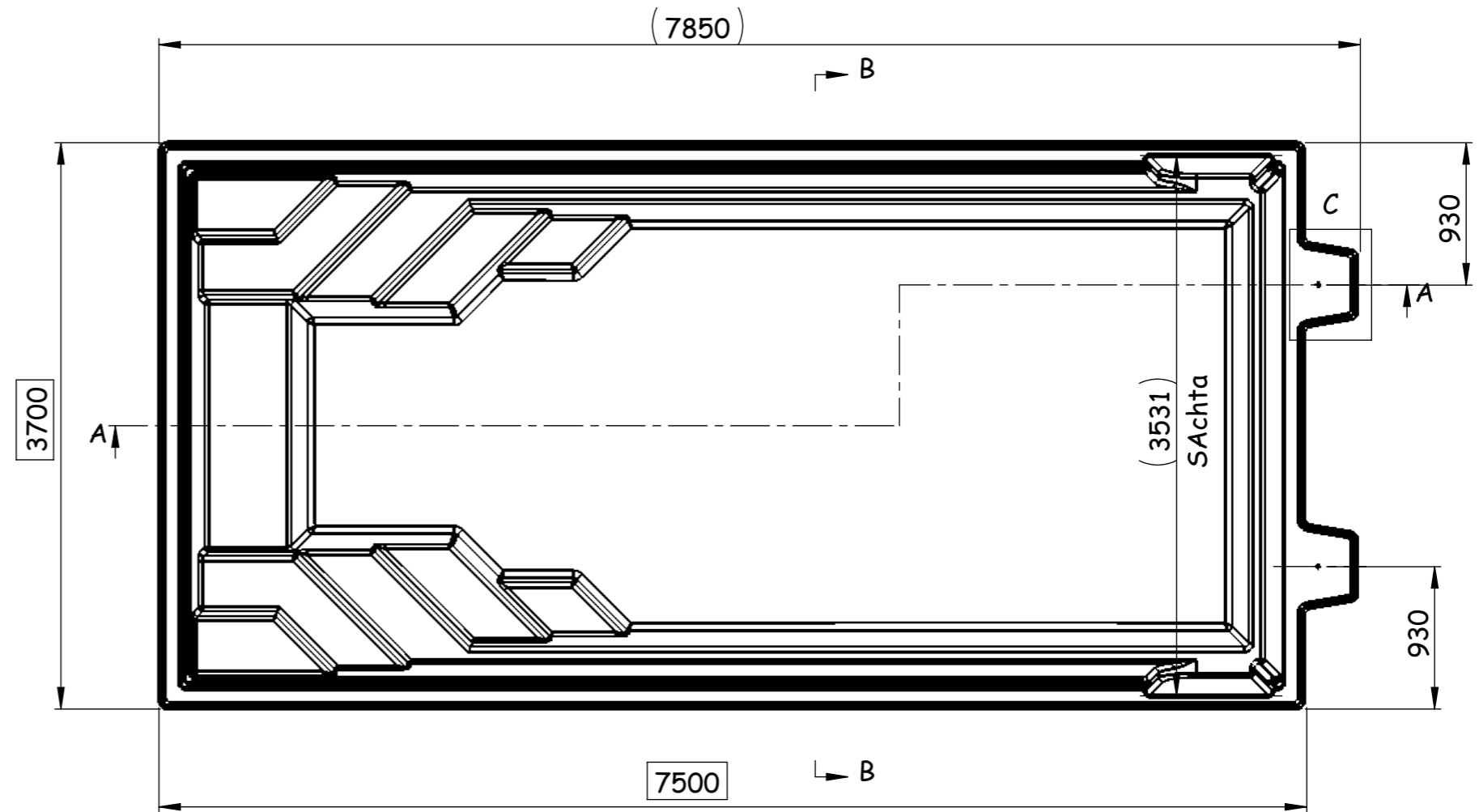
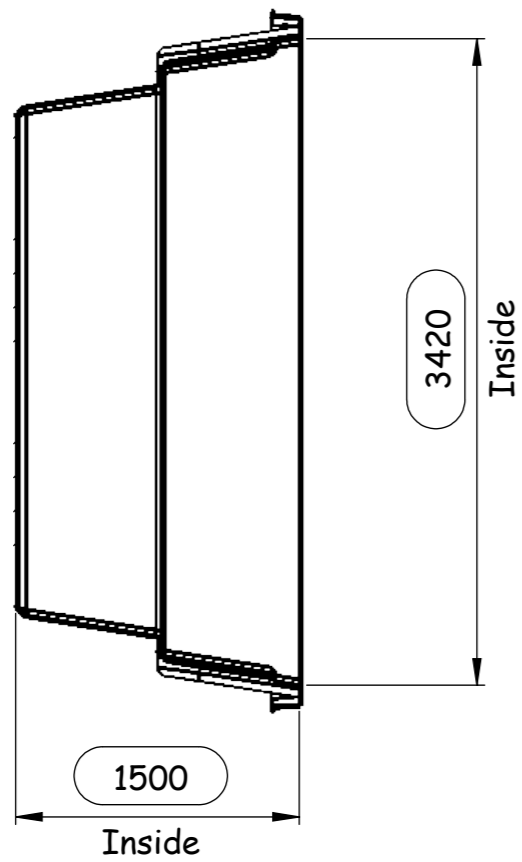
DETAIL C  
SCALE 1 : 20



SECTION A-A



SECTION B-B



Material: <b>FIBER GLASS</b>		This drawing and any information or descriptive material set out on it are the confidential and copyright property of <b>UAB LUXE POOLS</b> . © and <b>MUST NOT BE DISCLOSED, COPIED, LOANED</b> in whole or part or used for any purpose without the written permission of <b>UAB LUXE POOLS</b> .	Description: <b>WANAKA 750 (su sachta)</b>	
Finish: <b>Polished</b>			Drawn by: <b>Ruslanas Ivanovas</b>	Drawn Date: <b>2017 - 03 - 08</b>
Unless Otherwise Stated: Linear Tol.: <b>±0.2</b> , Angular Tol.: <b>0°15'</b> Surface Finish: <b>0.8µm</b> All Dimensions: <b>mm</b>			Checked/Approved by: <b>Ruslanas Ivanovas</b>	
Drawing Scale: <b>1:40</b>			Checked/Approved Date:	
Approx Weight: <b>Kg</b>	Drawing Produced In Accordance With: <b>ISO 9001</b>	Document Type: <b>Manufacturing</b>		
Projection Method: <b>THIRD ANGLE</b>	Sheet Size: <b>A3</b>	Legal Owner: <b>luxepools</b>		
		LUXE POOLS, Vokieciu str 24, 01135 Vilnius, Lithuania		
		Part Number: <b>wanaka750sachta</b>		
		Drawing Number:	Sheet: <b>1 of 1</b>	Revision: