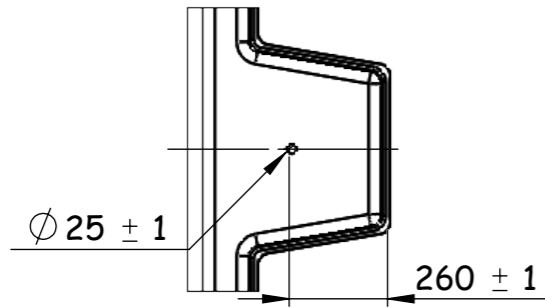
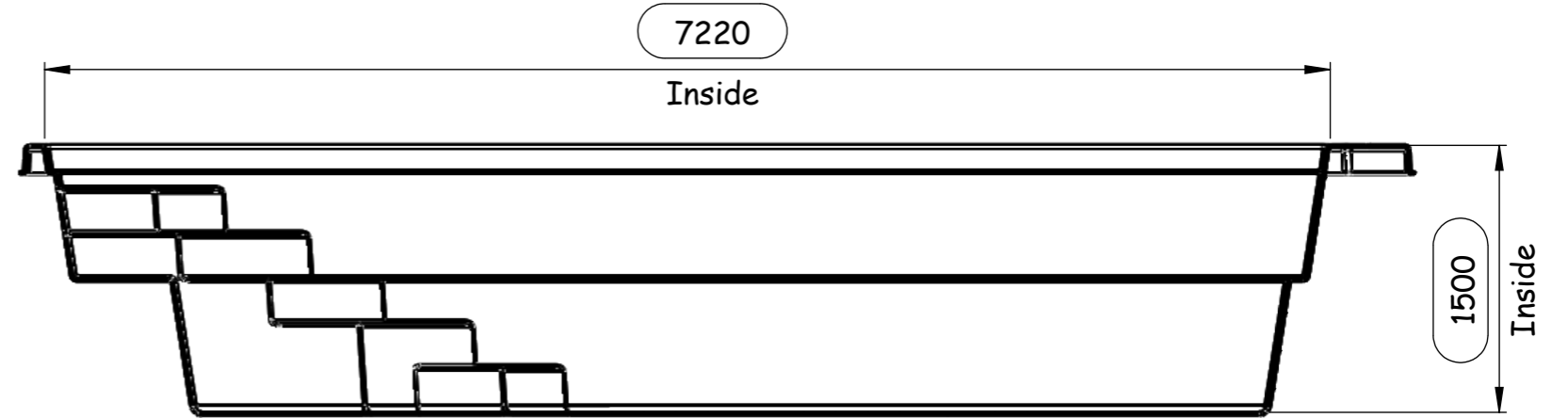


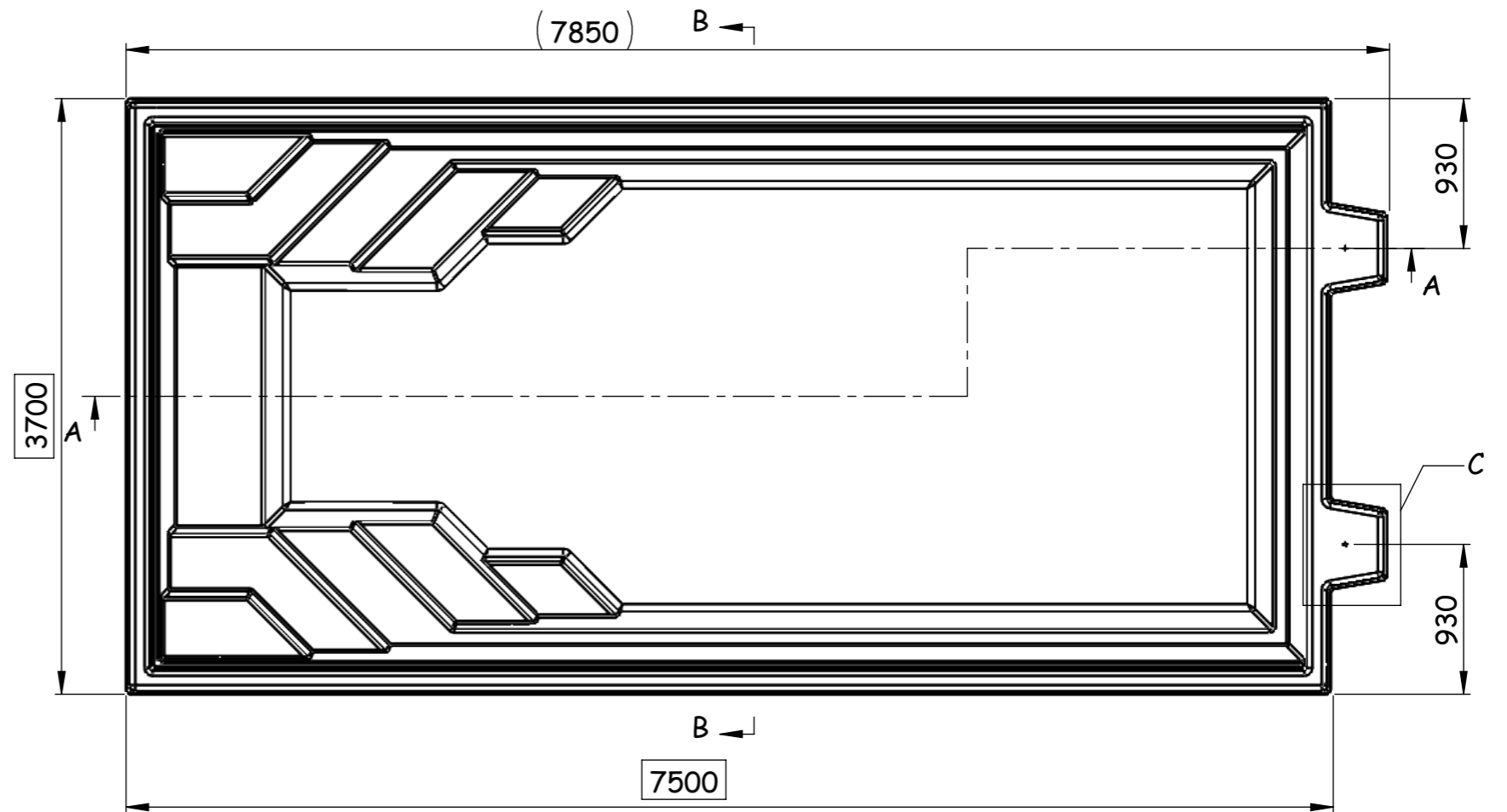
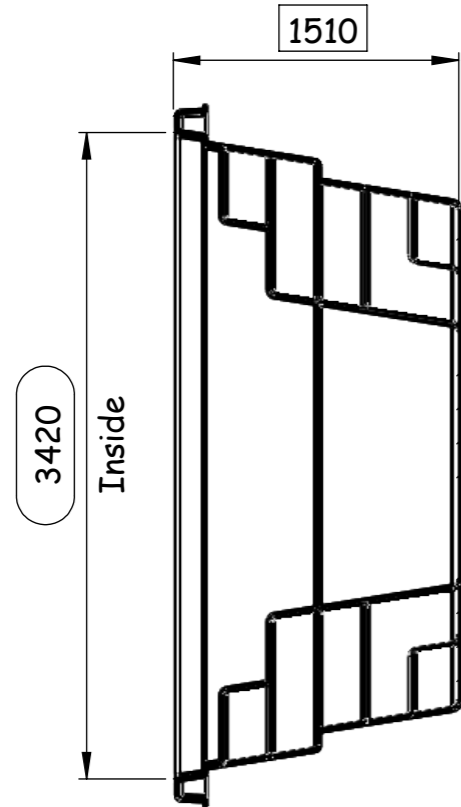
DETAIL C
SCALE 1 : 20



SECTION A-A



SECTION B-B



Material: FIBER GLASS		This drawing and any information or descriptive material set out on it are the confidential and copyright property of UAB LUXE POOLS . © and MUST NOT BE DISCLOSED, COPIED, LOANED in whole or part or used for any purpose without the written permission of UAB LUXE POOLS .	Description: WANAKA 750	
Finish: Polished			Drawn by: Ruslanas Ivanovas	Drawn Date:
Unless Otherwise Stated: Linear Tol.: ±0.2, Angular Tol.: 0°15' Surface Finish: 0.8µm All Dimensions: mm			Checked/Approved by: Ruslanas Ivanovas	Checked/Approved Date:
Drawing Scale: 1:40		Document Type: Manufacturing	Part Number: Wanaka750	
Approx Weight: Kg	Drawing Produced In Accordance With: ISO 9001	Legal Owner: luxepools	Drawing Number:	Sheet: 1 of 1
Projection Method: THIRD ANGLE	Sheet Size: A3	LUXE POOLS, Vokiecju str 24, 01135 Vilnius, Lithuania	Revision:	