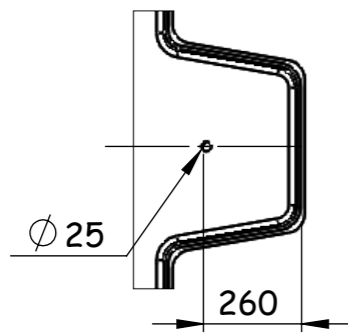


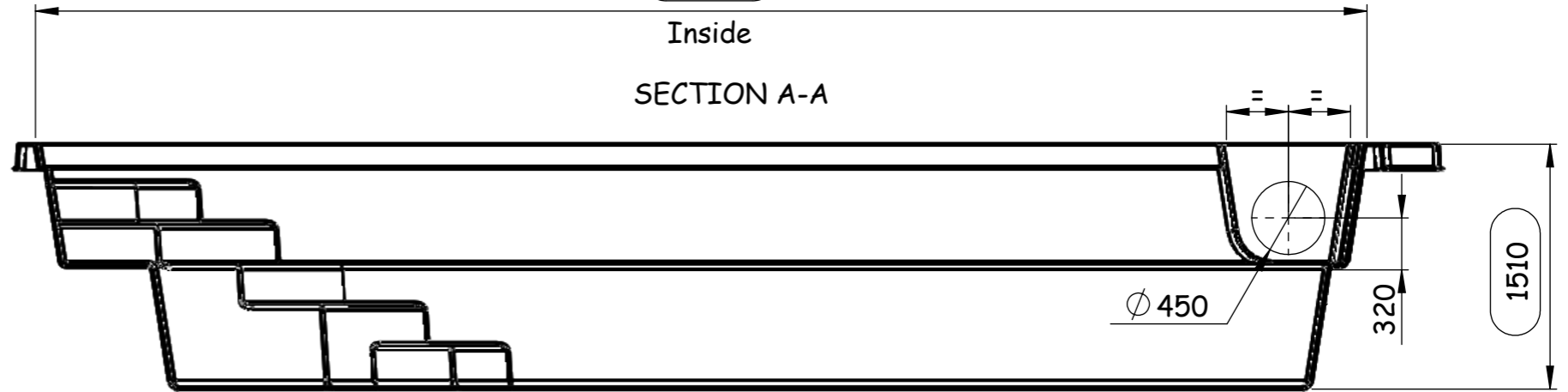
DETAIL C
SCALE 1 : 20



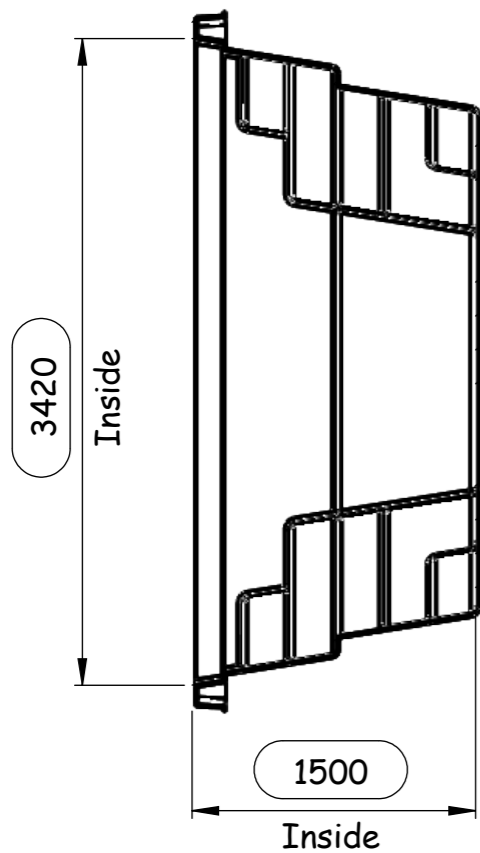
8220

Inside

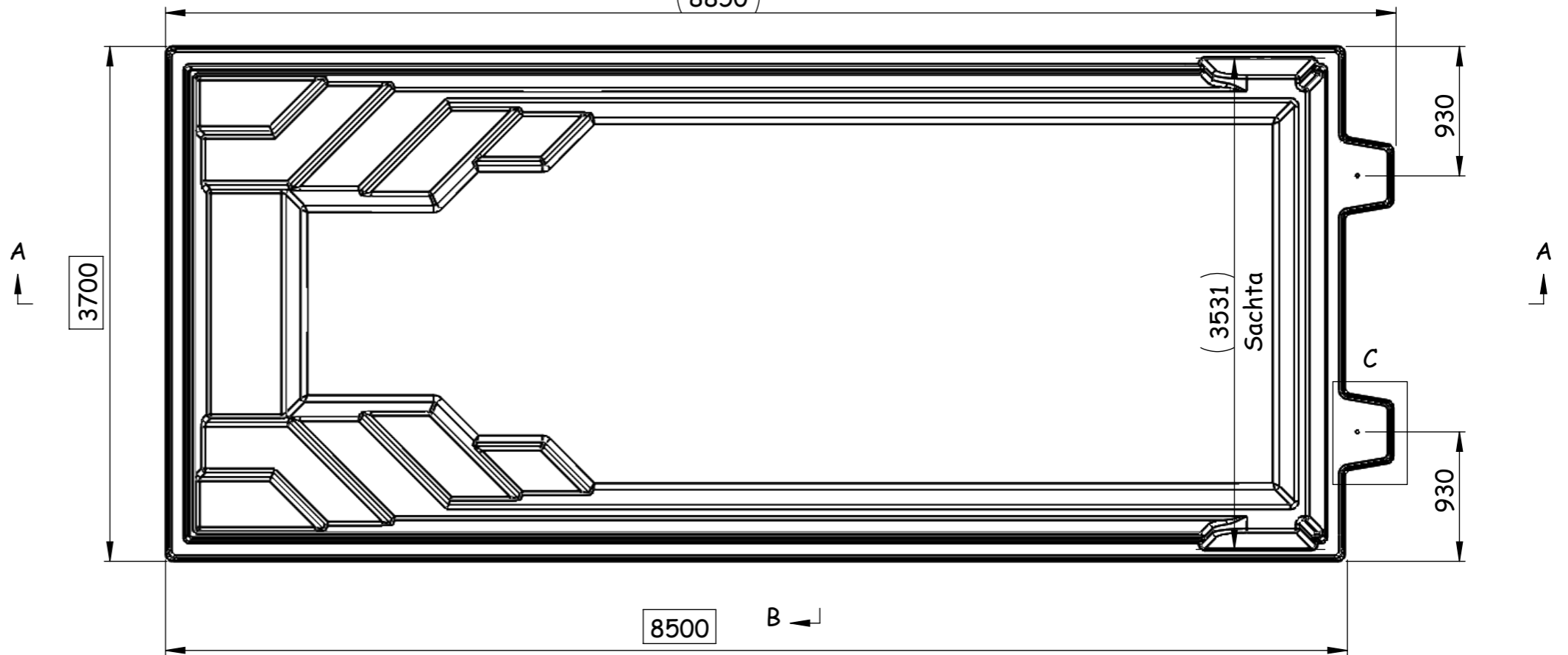
SECTION A-A



SECTION B-B



(8850) B



| | | | | |
|---|---|--|---|--|
| Material: FIBER GLASS | | This drawing and any information or descriptive material set out on it are the confidential and copyright property of UAB LUXE POOLS . © and MUST NOT BE DISCLOSED, COPIED, LOANED in whole or part or used for any purpose without the written permission of UAB LUXE POOLS . | Description: WANAKA 850 (su sachta) | |
| Finish: Polished | | | Drawn by: Ruslanas Ivanovas | Drawn Date: 2017 - 03 - 08 |
| Unless Otherwise Stated: Linear Tol.: ±0.2, Angular Tol.: 0°15' Surface Finish: 0.8µm All Dimensions: mm | | | Checked/Approved by: Ruslanas Ivanovas | Checked/Approved Date: |
| Drawing Scale: 1:40 | | Document Type: Manufacturing | | Part Number: wanaka850sachta |
| Approx Weight: Kg | Drawing Produced In Accordance With: ISO 9001 | Legal Owner: luxepools | | Drawing Number: |
| Projection Method: THIRD ANGLE | Sheet Size: A3 | LUXE POOLS, Vokieciu str 24, 01135 Vilnius, Lithuania | | Sheet: 1 of 1 |
| | | | | Revision: |