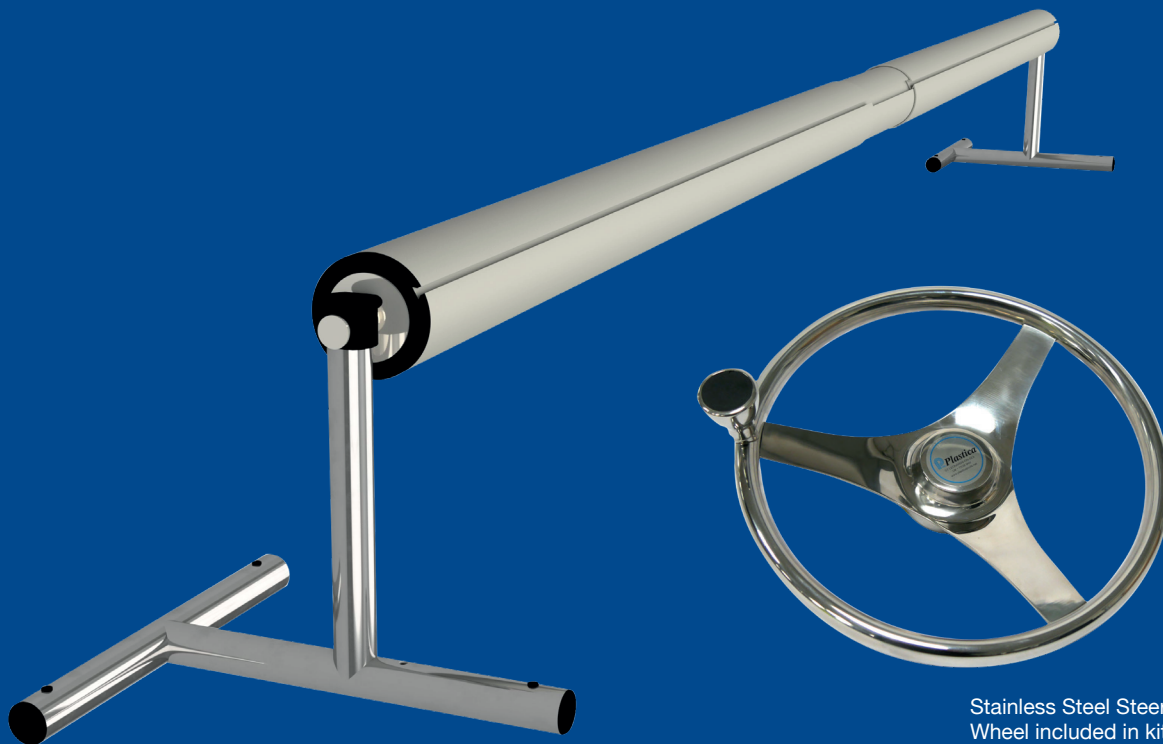




Slidelock Max Telescopic Reel

The upgraded Slidelock to fit a bigger pool



Stainless Steel Steering
Wheel included in kit

- Highly polished stainless steel end stands.
- 5"Ø Anodised aluminium tubes
- End bosses and bearings that encapsulate the tube, made from Acetal which has a very low friction characteristics and very little moisture absorption.
- Stainless steel steering wheel.
- Straps connect to tubes by our very popular and unique slide and lock fixing giving full flexibility to the customer.
- Locking device holds the tube in position, stopping the cover from unwinding.
- Upgraded T-model, Base Plate & new shaped wall mount end stands.

 **Plastica**

The UK's Leading Independent Swimming Pool Manufacturer and Distributor



www.plasticapools.net

Find us on



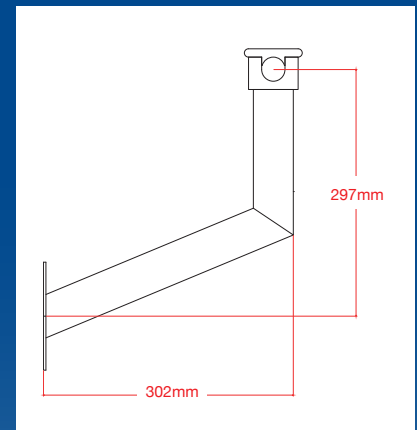
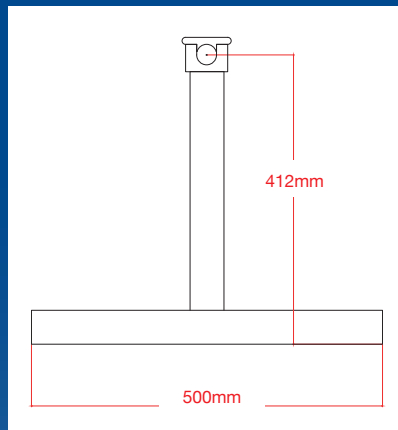
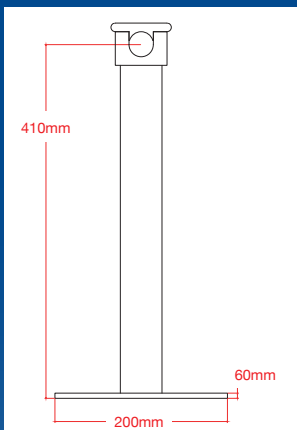
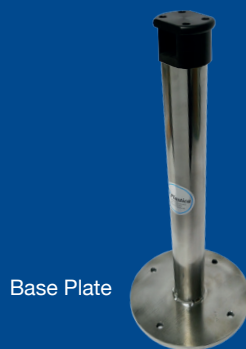
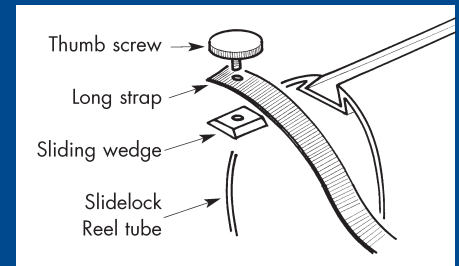
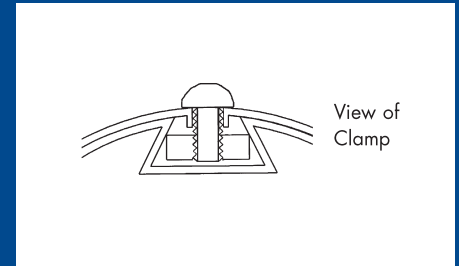
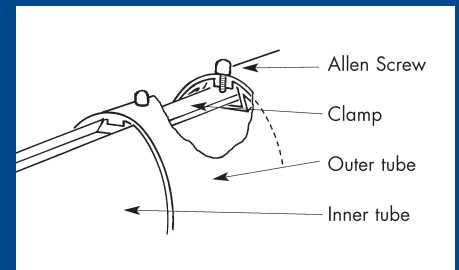
Slidelock Max Telescopic Reel

Following on from our enormously successful Domestic Slidelock System. We are introducing our New Slidelock Max with our upgraded and unique 138mm diameter anodised aluminium tubes, giving us a range from 6.0m, to 8.0m for covers up to maximum 7.7m width. (19' 9" to – 25' 3" maximum cover width).

- **Small Slidelock Max** system tubes go from 6.0m to 7.0m, for covers up to a maximum 6.7m width (19' 9" to 23' tubes – 22' maximum cover width)
- **Large Slidelock Max** system tubes go from 7.0m to 8.0m, for covers over 6.7m up to a maximum 7.7m width (23' to 26' 3" tubes – 25' 3" maximum cover width)

Keeping the very popular way our straps connect to tubes by our slide and lock fixing system. Our own locking device holds the tube in position, stopping the cover from unwinding.

The tubes and covers are supported by our new range of end stands made from highly polished 48mm diameter 316 stainless-steel tube. Using Plastica's new special end bosses with our new stainless steering wheel. The new range includes our upgraded T-Model, Base Plate and our shaped wall mount.



The UK's Leading Independent Swimming Pool Manufacturer and Distributor

www.plasticapools.net

