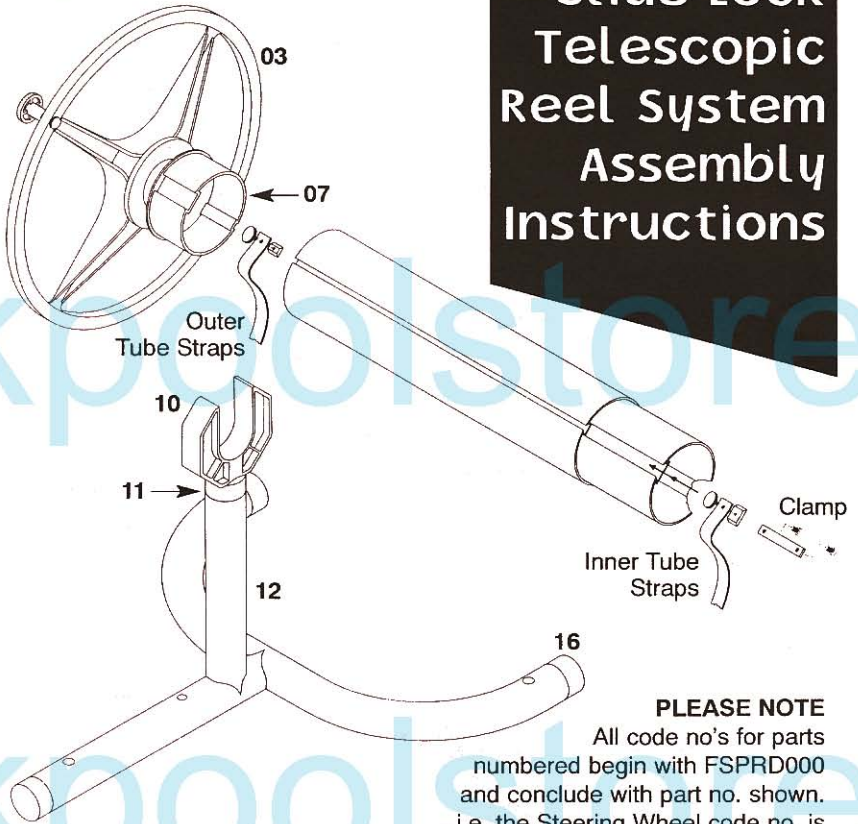
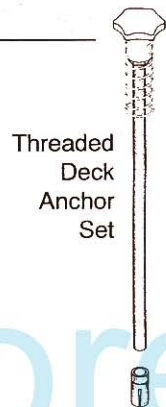


Slide Lock Telescopic Reel System Assembly Instructions



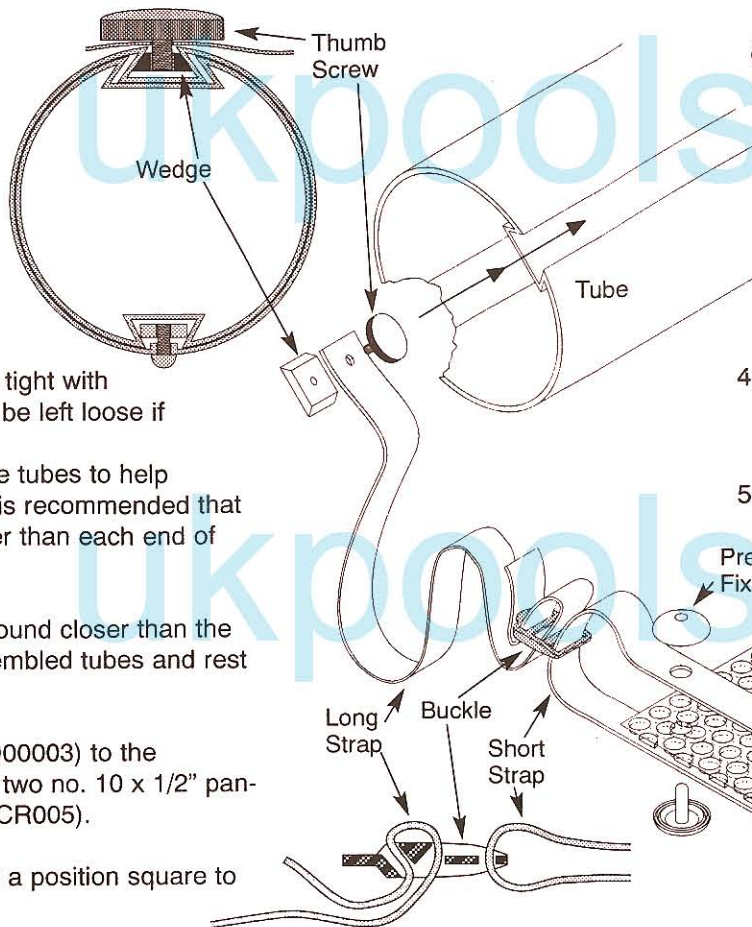
PLEASE NOTE
All code no's for parts numbered begin with FSPRD000 and conclude with part no. shown. i.e. the Steering Wheel code no. is FSPRD00003.

OPTIONAL EXTRAS



TUBE ASSEMBLY

1. First decide the number of straps required. Use the guide below.
2. Slide the large wedges if required into the inner tube.
3. Join the tubes together by inserting the smaller tube into the other two. Then secure by screwing the clamp tight with the allen key provided. (These can be left loose if undecided on final tube length.) Please note; there are arrows on the tubes to help achieve the tube length required. It is recommended that the reel tube is between 6"-12" wider than each end of the cover.
4. Place the reel end stands on the ground closer than the correct distance apart. Lift the assembled tubes and rest temporarily on the Y pieces.
5. Fit the two steering wheels (FSPRD00003) to the outside ends of the tubes using the two no. 10 x 1/2" pan-head posi self-tapping screws (20SCR005).
6. Place the assembled reel system in a position square to the pool where it will be used.
7. When using ground sleeve model a hole needs to be excavated 6" x 6" x 1' deep, and the sleeves installed dead vertical in concrete. The sleeves need to be the exact centre of the bearing grooves.
8. The baseplate and wall mount models need to be centred with the bearing grooves. The fixing holes should be drilled and brackets bolted dead vertical.
9. Assemble all the required long straps between the wedge and the thumb screws provided and slide them loose into the tubes. (The inner tube will already have the wedges inside fitted previously.) Please note; there are spare wedges supplied if closer spacings are required on outer tubes.
10. You are now ready to attach the straps to the cover.



COVER ATTACHMENT

1. With the cover cut to the size of the pool as required pull the cover out of the water towards the reel system until the two meet.
2. Start from the middle of the cover with the first strap point and work towards the outside positioning straps at distances no more than 3' (900mm) apart. (Ideal strap spacing 2' - 3' (600 - 900mm).)
3. The two outside straps should be 1.5" (40mm) in from the edge of the cover.
4. Fix the short straps and buckle to the cover using the press fix connectors as shown on the drawing. (If the male section of the Press Fix Connector protrudes, trim excess off to eliminate possible cover damage.)
5. The long straps can now be attached to the buckles and tensioned equally to ensure easy operation.
6. Be sure strap lengths allow the cover to be in complete contact with the water surface when on the pool.
7. Finally, simply make sure the long straps are all square to the reel and cover by sliding the thumb screws into line and tightening.

NOTE

The reel is best operated as close to the pool edge as possible to avoid the cover rubbing on the copings or pool surround. This can cause damage to the underside of the cover if the reel is not positioned correctly.

Both reel and cover should be washed down on a regular basis with fresh tap water to stop build up of chemical deposits.

GUIDE FOR STRAP REQUIREMENTS			
	Cover Width	Inner Tube Straps	Outer Tube Straps
SMALL REEL	⇔10'	0	5
	10'⇔15'	1	6
LARGE REEL	15'⇔18'	1	6
	18'⇔21'	3	6

