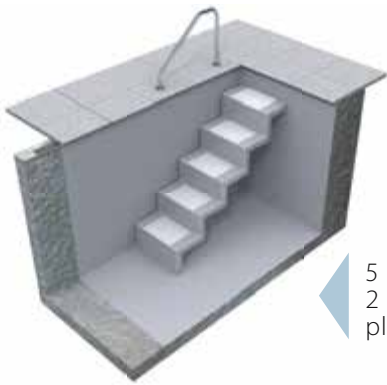


ELEGANZ ENTRY STEPS

These steps are designed for all pools including concrete tiled and liner. They are easily retro fitted into position with two securing bolts into the wall's upper ring beam, and a rubber pad supports the base of the step without fixing into the floor of the pool.



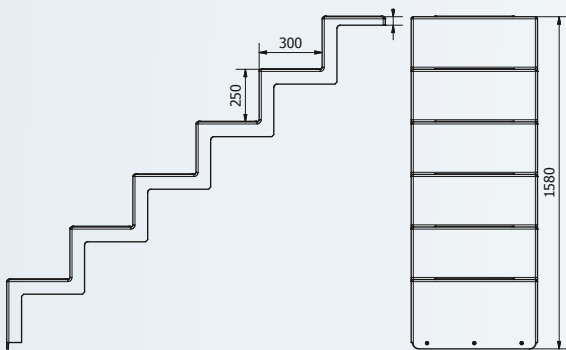
5 steps, short version, fixed with 2 bolts in the wall, with rubber plates on the floor.

5 steps, long version, fixed with 2 bolts in the coping stone. Rubber base plate on the floor without fixings.

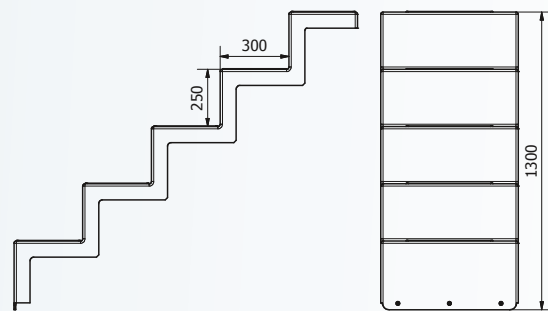


The step has five good size treads, which can be colour matched or contrasted to highlight the tread area. The step has a width of 600 mm giving a comfortable and secure feeling to entry and exit of the pool. The depth of the step can be adjusted to suit most pools.

Dimensions:
Breadth x Depth: 600 x 1580 mm



Dimensions:
Breadth x Depth: 600 x 1300 mm

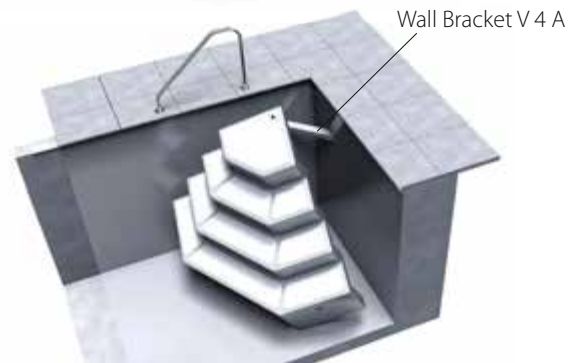
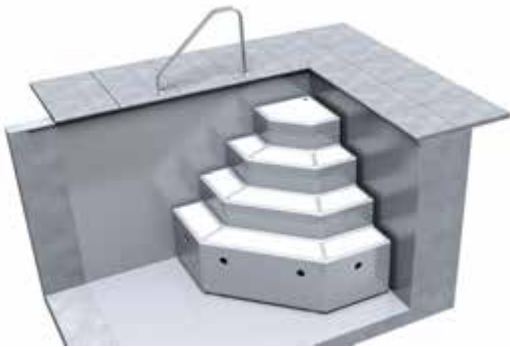


AVAILABLE COLOURS:



OCTA ECK 140 U ENTRY STEPS

These steps are designed for all pools including concrete tiled and liner. They are easily retro fitted into position with a supporting frame that can be bolted into the floor to secure it's position, rubber adjustable feet support the base of the step to ensure a level fixing.

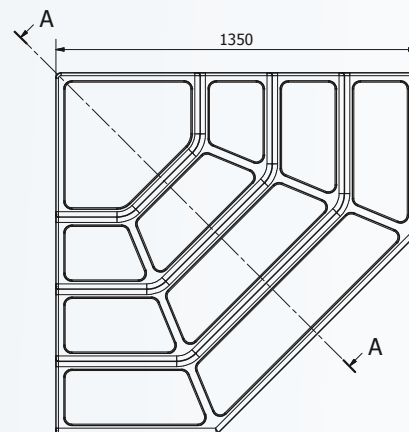
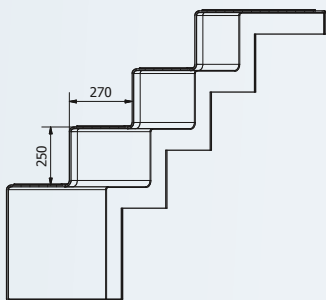


Fixed with 2 bolts in the floor and with 2 bolts in the wall. For regular cleaning services the step-end can be tilted. 2 hinges fixed on rubber plates are installed. Mounting kit and instructions are attached.

The step has four good sized anti slip treads, which can be colour matched or contrasted to highlight the tread area.

The step has a width of 1350mm giving a comfortable and secure feeling to entry and exit of the pool.

Dimensions:
Length x Breadth x Depth: 1350 x 1350 x 1250 mm
Coping stones without nose are recommended



AVAILABLE COLOURS:



REKU COMPOSITE-POOL STEPS

KANTO 250 & 300 ENTRY STEPS

These steps are designed for use in panel liner or concrete liner pool. They are easily built into position and have connections to allow them to be bolted to the supporting panels or connected with reinforcement bars to secure them into the wall construction. This step has supporting legs to level the structure and then should be backfilled with lean concrete.

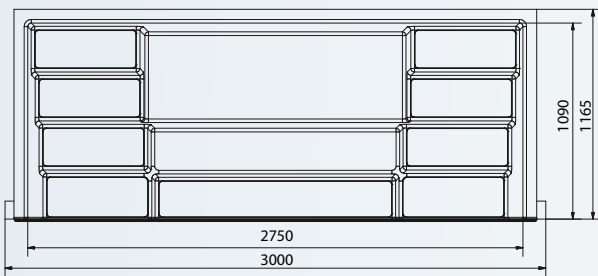
The step is available with a single entry step or double entry, with a seated lounge area that can be fitted with massage jets or a counter current unit, offering a unique style to the end or side of any pool.



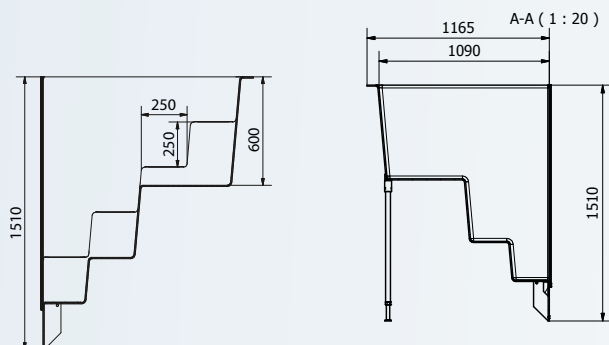
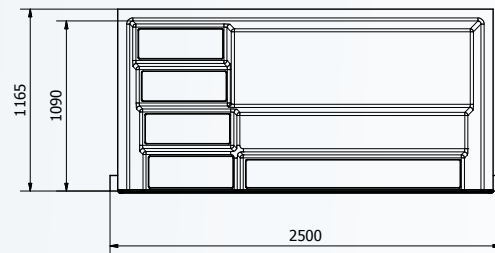
There is a liner clamp plate designed into the step to secure and fix the liner into position, leaving the clean and smart surface of the fibreglass gel coat visible. The step has five good size anti slip treads, which can be colour matched or contrasted to highlight the tread area.



Dimensions:
Length x Breadth x Depth: 1165 x 2500 x 1500 mm



Dimensions:
Length x Breadth x Depth: 1165 x 3000 x 1500 mm



AVAILABLE COLOURS:



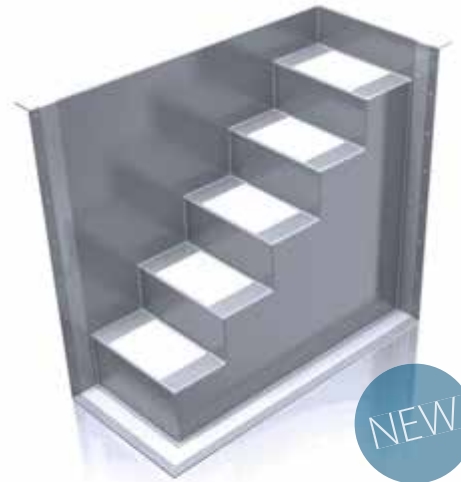
COMFORT 150 ENTRY STEPS

These steps are designed for use in panel liner or concrete liner pool. They are easily built into position and have connections to allow them to be bolted to the supporting panels or connected with reinforcement bars to secure them into the wall construction.

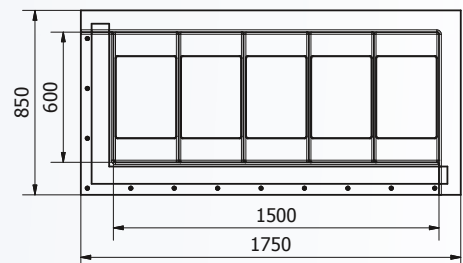
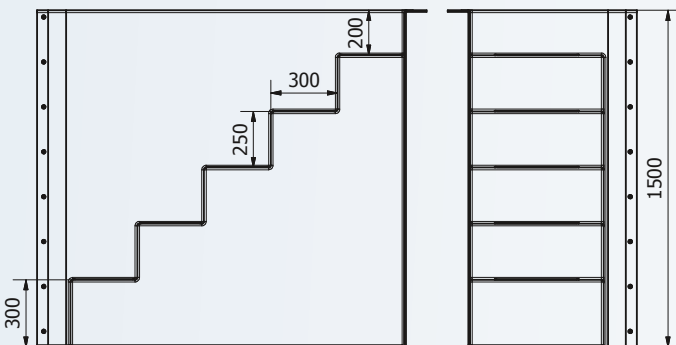
There is a liner clamp plate designed into the step to secure and fix the liner into position, leaving the clean and smart surface of the fibreglass gel coat visible. The step has five good size anti slip treads, which can be colour matched or contrasted to highlight the tread area.

This step is also available for on-site lined pools where the liner is welded to the PVC strip which follows the outer edge of the step.

Due to the design of this step it can easily be used for retro fitting into a liner refurbishment.



Dimensions:
Length x Breadth x Depth: 1500 x 600 x 1510 mm



AVAILABLE COLOURS:



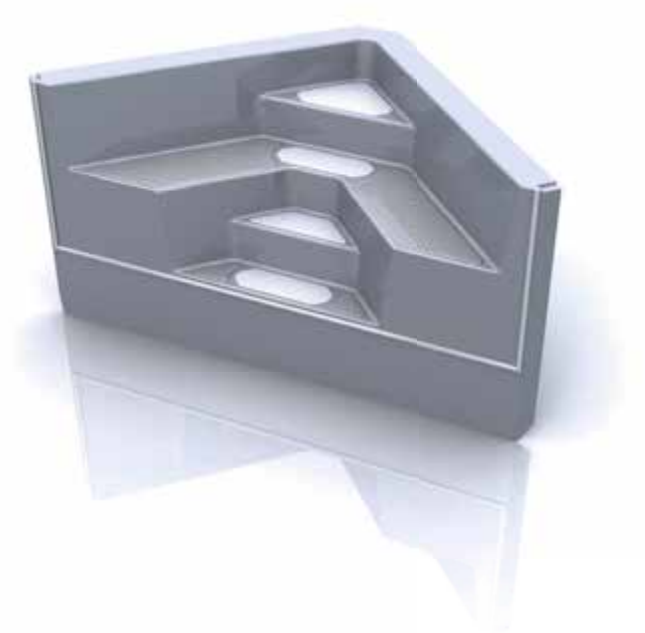
RAVENNA ECK ENTRY STEPS

These steps are designed for use in the corner of a panel liner or concrete liner pool. They are easily built into position and have connections to allow them to be bolted to the supporting panels or connected with reinforcement bars to secure them into the wall construction. This step has supporting legs to level the structure and then should be backfilled with lean concrete.

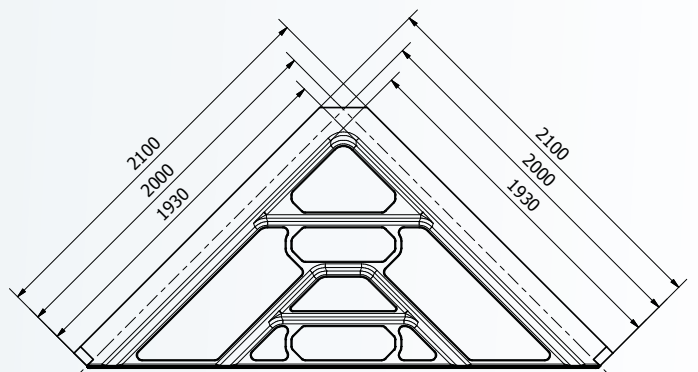
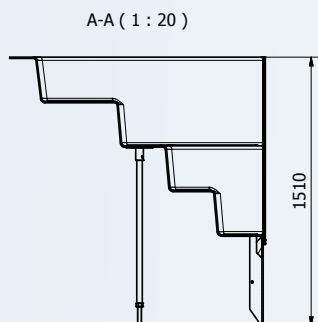
With an elegant seat to each side of the diagonal entry step this gives a calm area to sit back and relax after a workout.

There is a liner clamp plate designed into the step to secure and fix the liner into position, leaving the clean and smart surface of the fibreglass gel coat visible.

The step has four good size anti slip treads, which can be colour matched or contrasted to highlight the tread area.



Dimensions:
Length x Breadth x Depth: 2000 x 2000 x 1510 mm



AVAILABLE COLOURS:



MALAGA 225 & 325 ENTRY STEPS

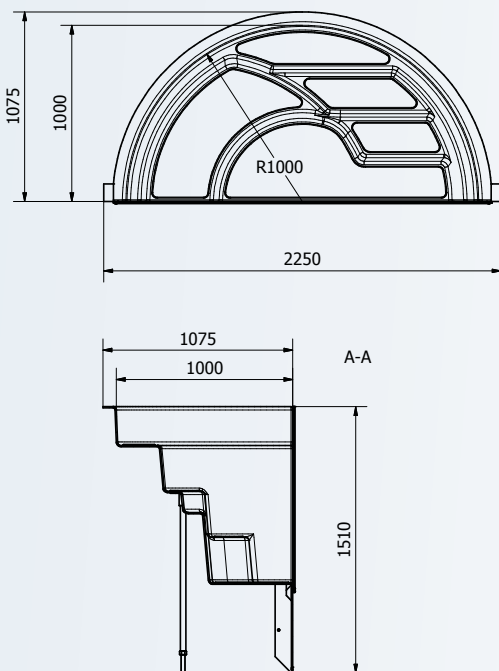
These steps are designed for use in panel liner or concrete liner pool. They are easily built into position and have connections to allow them to be bolted to the supporting panels or connected with reinforcement bars to secure them into the wall construction. This step has supporting legs to level the structure and then should be backfilled with lean concrete.

The step is available with a single entry step, with a seated lounge area that can be fitted with massage jets or a counter current unit, offering a something different to a roman end around any pool.

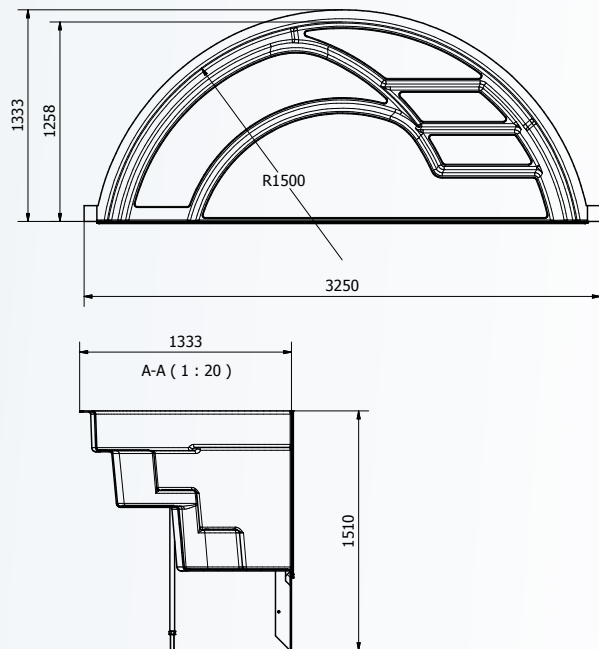
There is a liner clamp plate designed into the step to secure and fix the liner into position, leaving the clean and smart surface of the fibreglass gel coat visible. The step has five good size anti slip treads, which can be colour matched or contrasted to highlight the tread area.



Dimensions:
Length x Breadth x Depth: 1075 x 2250 x 1500 mm



Dimensions:
Length x Breadth x Depth: 1333 x 3250 x 1500 mm



AVAILABLE COLOURS:

