



Vision Sand Filter

Top and side mount filters for domestic installations

Certikin
FLUIDRA

A filter is one of the most important components of a swimming pool. Therefore you want to ensure your next installation is easy to maintain and offers good durability.

Using the latest in fibreglass winding technology, the Vision range of domestic bobbin wound filters from Certikin are some of the most reliable and popular on the market. Available in top and side mount versions, both of which come with the patented 10" lid, which makes servicing and maintenance quick and easy.

The unique design also features a see-through valve mounting ring for top mount models that allows a clear view of filtration and backwashing during operation. A hydraulically balanced lateral system ensures optimum flow characteristics during both filtration and backwashing.

All of this is backed up by an impressive 10-year full tank warranty, giving peace of mind should any issues arise.

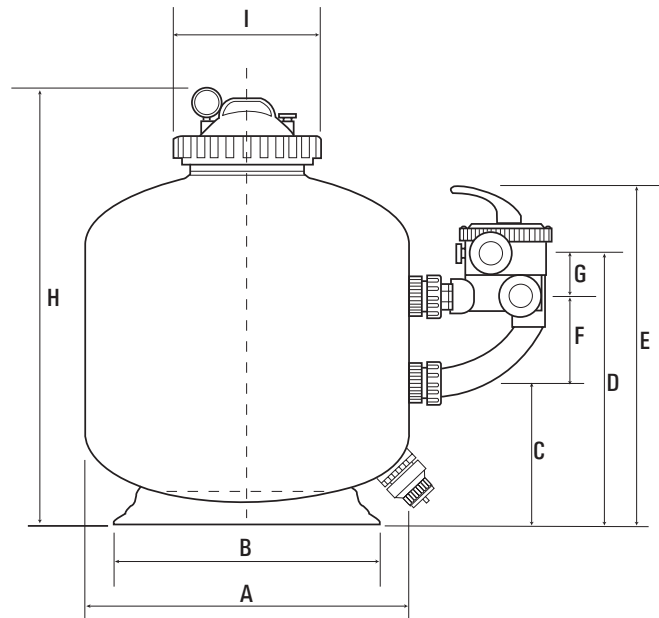
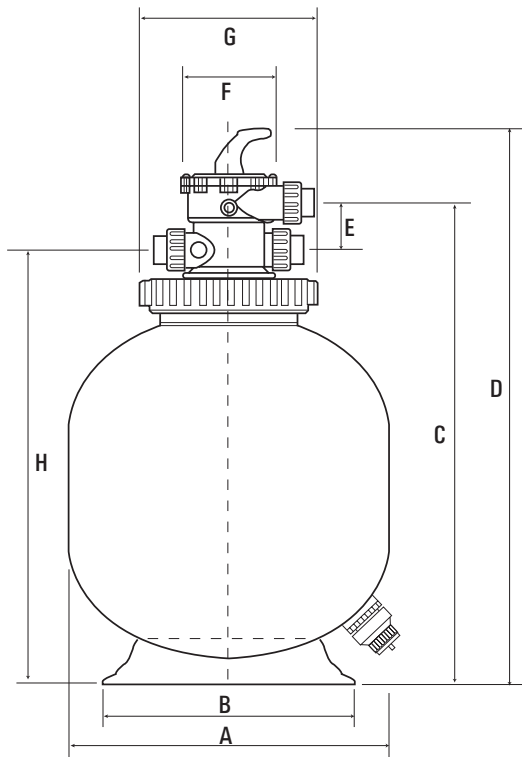


Features

- Patented 10" lid – for ease of maintenance
- 10 year full tank warranty for residential installations
- Bobbin wound using the latest in fibreglass winding technology
- Clear mounting ring on top mount models – allows a clear view of filtration and backwashing during operation
- Multiport valve comes complete with 1.5" and 50mm quick connect unions
- Hydraulically balanced laterals to maximise water flow and filtration
- Automatic internal air bleed to expel any unwanted air in the tank
- Max working pressure 2.5 BAR
- Vision filters are NOT suitable for use with Baquacil

Technical Specifications

Code	Size	A	B	C	D	E	F	G	H	I	Filter Area m ²	Flow Rate m ³ /hr	Sand kg	Pipe Connections	Working BAR Pressure
FVS20	20" 500mm	520	445	282	539	683	203	54	899	343	0.20	10	90	1.5" / 50mm	2.5
FVS24	24" / 600mm	622	484	317	574	717	203	54	957	343	0.28	14	140	1.5" / 50mm	2.5
FVS30	30" / 750mm	772	620	337	642	799	203	102	1030	343	0.44	21	210	2" 63mm	2.5
FVS36	36" / 900mm	923	620	387	693	850	203	102	1156	343	0.64	31	360	2" 63mm	2.5
FVS20T	20" / 500mm	510	484	839	982	91	182	343	748	-	0.20	9	90	1.5" / 50mm	2.5
FVS24T	24" / 600mm	620	484	930	1073	91	182	343	839	-	0.28	14	160	1.5" / 50mm	2.5
FVS30T	28" / 700mm	720	620	941	1083	91	182	343	850	-	0.38	19	200	1.5" / 50mm	2.5





Certikin

FLUIDRA

www.certikin.co.uk



Contact your Certikin stockist for prices and availability.

This literature is intended as a guide.
The company reserves the right to change the specifications without notice.